

DO NOT REMOVE

FORM MS-6930-1/83
REPLACES FORM MS-6930-6/82
FILE IN SECT. 2 OF SERVICE MANUAL
401400 to 401499

Illustrated Parts List

Model Series

401400 to 401499

TYPE NUMBERS

0010 through 0013

0020 through 0022
and 0070

0110 through 0171

0510 through 0512
and 0570

0611 and 0613

0630 through 0638

TO FIND

THE CORRECT NUMBER OF THE PART YOU NEED:

FOLLOW THE INSTRUCTIONS BELOW

- A. Refer to Engine Model, Type and Code Number that is stamped on the blower housing of engine. Engine type numbers such as 012301 are listed herein only as 0123. The two digits (01 or 02, etc.) to the right of the space are not needed for parts identification. Then use the Illustrated Parts List covering the Model Series.
- B. Refer to Illustrated Parts section and compare the old part with illustration. The number on the illustration is the Reference Number. Assemblies include all parts shown in frames. All parts shown in assembly frames on which individual reference numbers are given can be purchased separately.
- C. After the Reference Number has been identified, refer to the Numerical Parts List, where Reference and Master Part Number are listed. **THE MASTER PART IS USED ON ALL TYPE NUMBERS EXCEPT THOSE TYPE NUMBERS UNDER "NOTE".**
- D. If a "Note" appears below the Master Part Number, this means that this part differs from the Master Part for certain types. If the Type number is listed under "Note", order the part referred to.
- E. If the Engine Type Number does not appear after any part number listed under "Note", use the Master Part Number.
- F. For Type Numbers higher than those covered by this book, please refer to the factory if you are unable to identify the part by comparison.

PRINTED IN U.S.A.

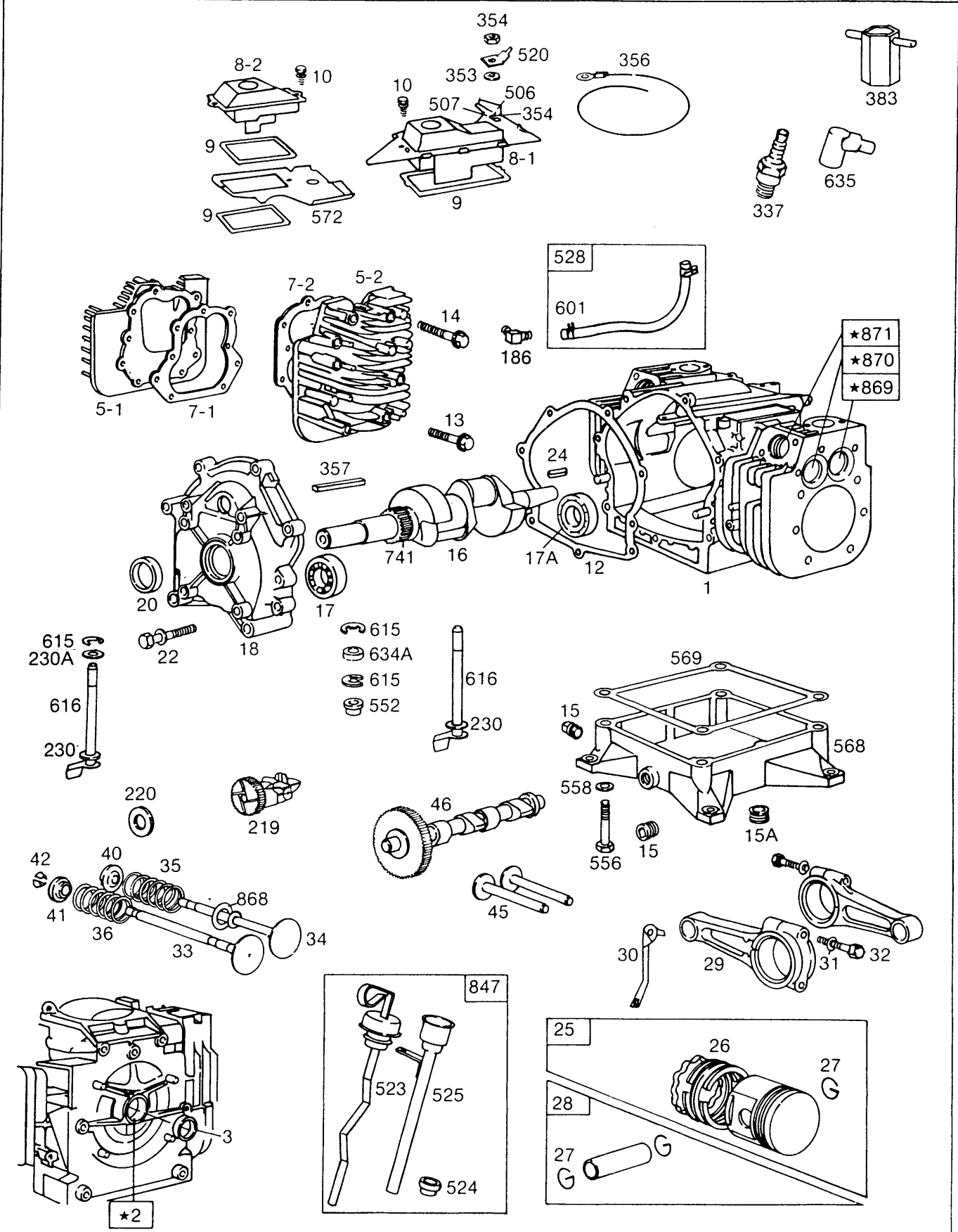
COPYRIGHT ©



SAMPLE

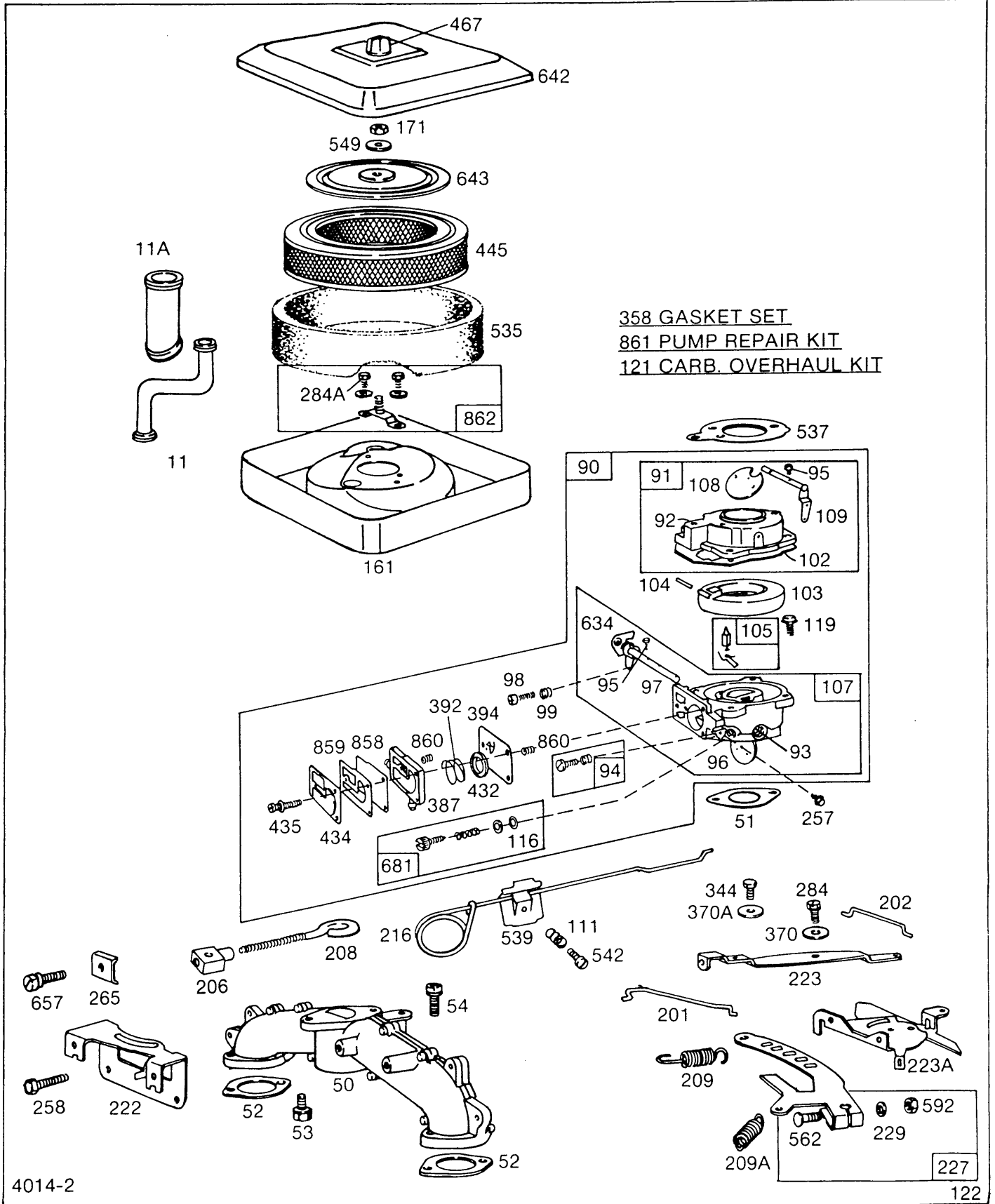
401400 to 401499

another free manual from www.searstractormanuals.com



4014-1 *SPECIAL TOOLS REQUIRED TO INSTALL - SEE REPAIR INSTRUCTION MANUAL

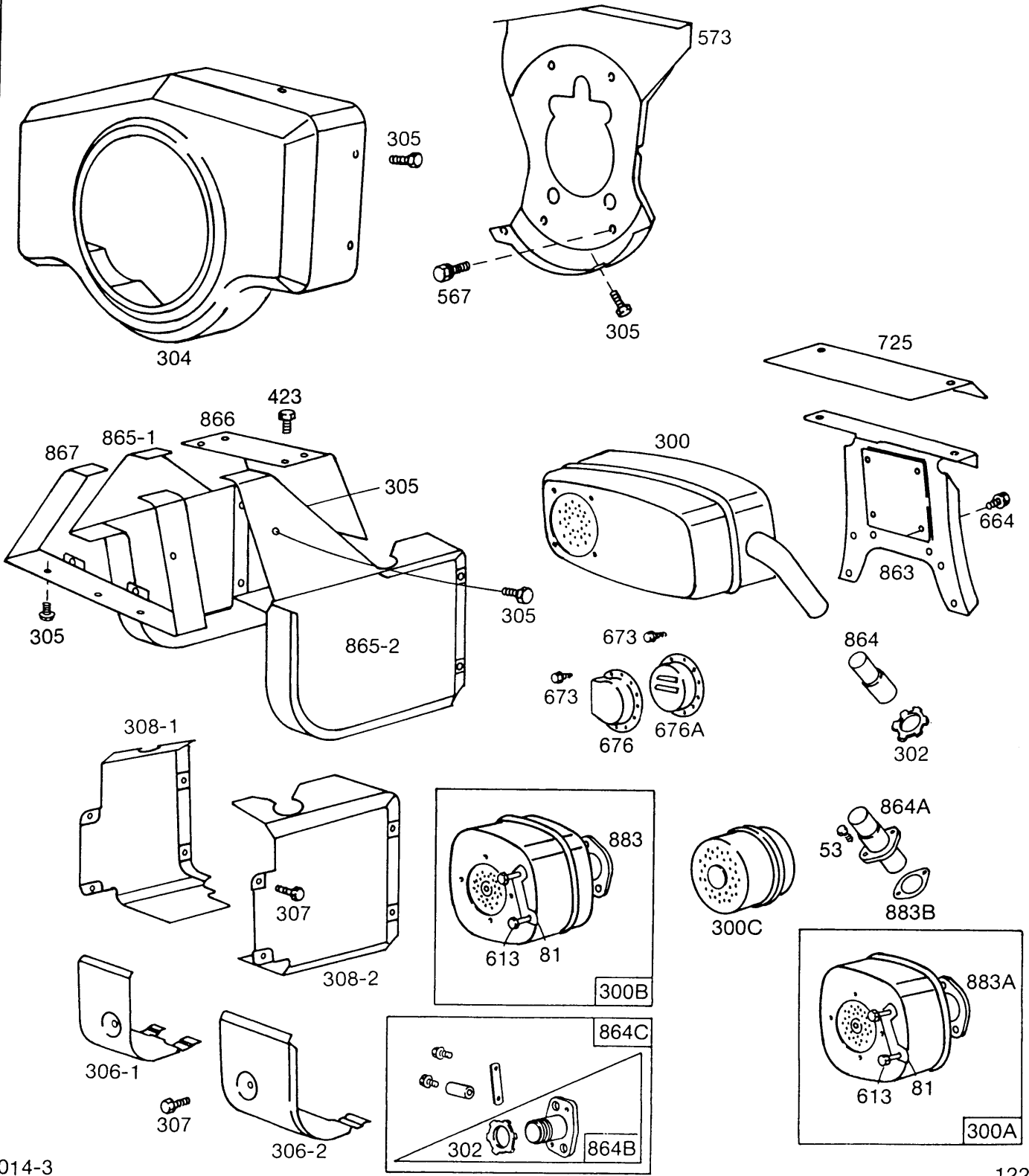
Assemblies include all parts shown in frames.



Assemblies include all parts shown in frames.

401400 to 401499

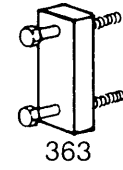
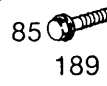
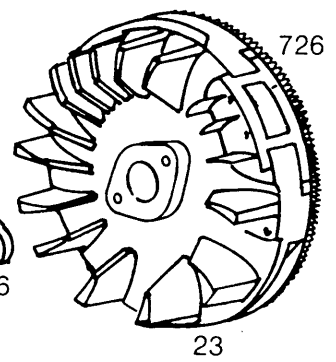
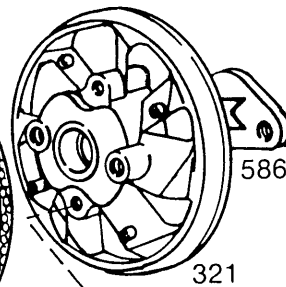
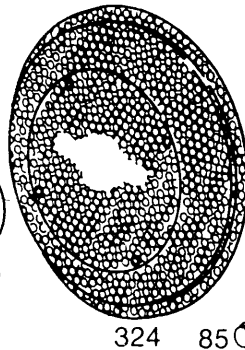
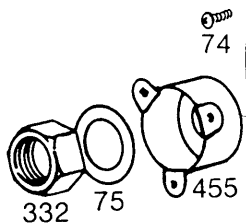
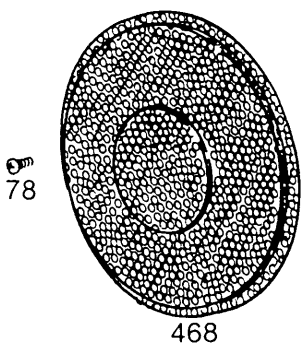
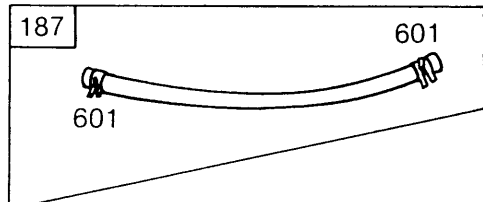
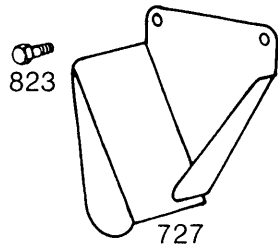
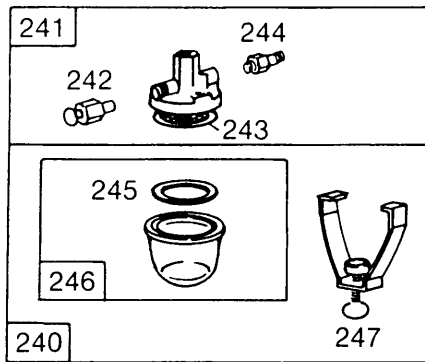
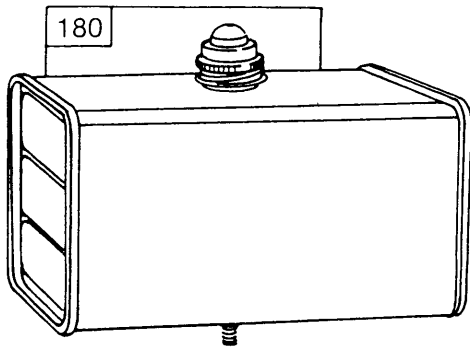
another free manual from www.searstractormanuals.com



4014-3

Assemblies include all parts shown in frames.

122

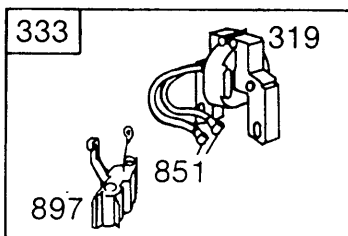
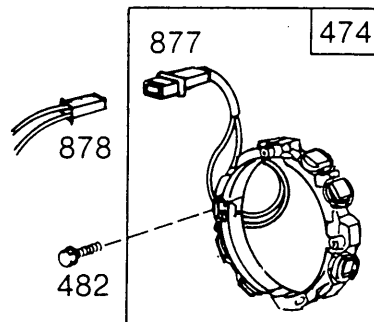
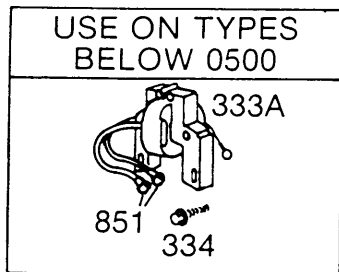
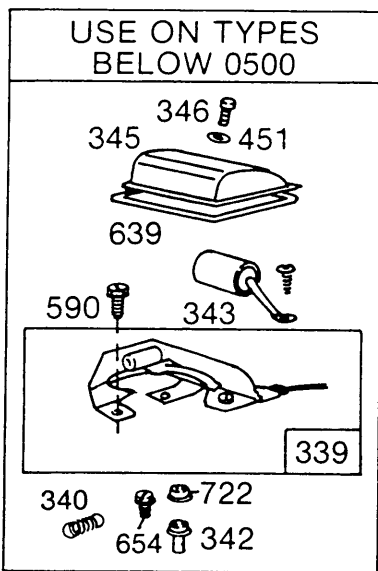


Assemblies include all parts shown in frames.

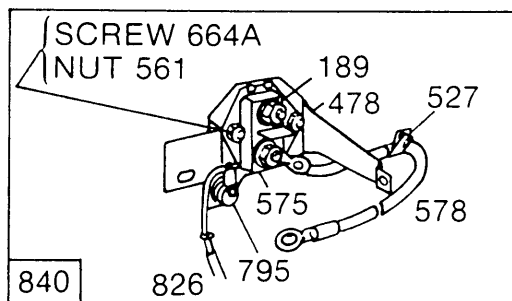
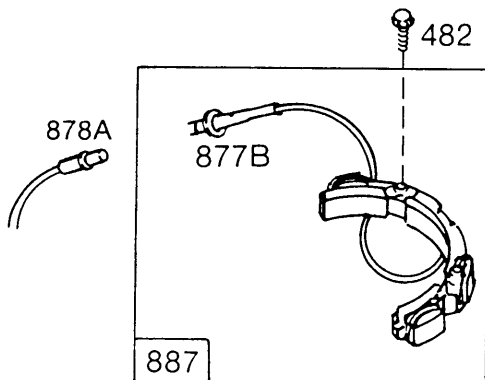
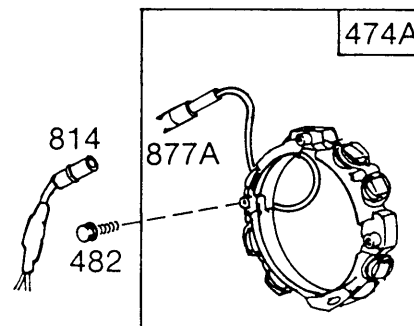
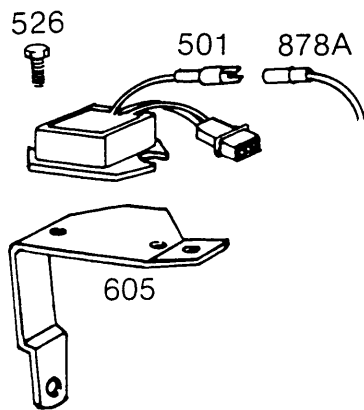
another free manual from www.searstractormanuals.com

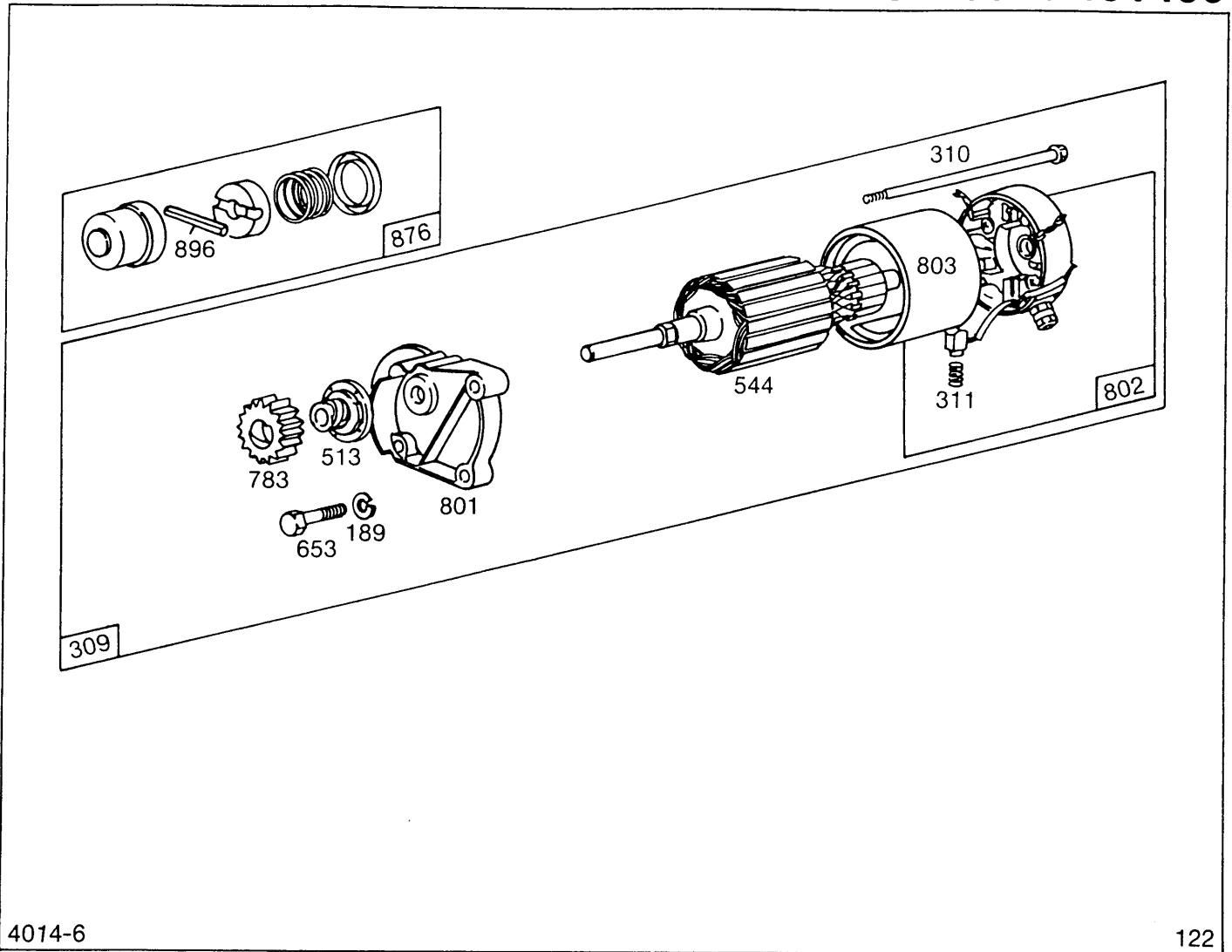
401400 to 401499

another free manual from www.searstractormanuals.com



334





4014-6

122

Assemblies include all parts shown in frames.

Subject		Ref. No. 309	Ref. No. 310	Ref. No. 311	Ref. No. 801	Ref. No. 802	Ref. No. 803
Starter Motor Mfr.		Motor and Drive Assy.	Thru Bolt	Brush Assembly	End Cap Assy. Drive	End Cap Assy. Commutator	Housing Assembly
Briggs & Stratton	Housing Length						
†12V	3"	393017	93887	391705	393009	394674	392744
12V	3-5/8"	394808	94003	395538	394860	395537	393825

Subject	Ref. No. 513	Ref. No. 544	Ref. No. 783	Ref. No. 876	Ref. No. 896
Starter Motor Mfr.	Clutch Assembly	Armature Assembly	Gear	Pinion Spring Kit	Roll Pin
Briggs & Stratton					
12V	391135	392747	280104	393254	93754

NOTE: Style Identification of 12 volt motors.

NEW STYLE: Thru bolt heads are located on the drive end head.

†OLD STYLE: Brush end head is 13/16" wide

401400 to 401499

REF. NO.	PART NO.	DESCRIPTION	REF. NO.	PART NO.	DESCRIPTION	REF. NO.	PART NO.	DESCRIPTION
1	394900	Cylinder Assembly Note: 394573 Cylinder Assy. Used on Type Nos. below 0500 and after Code No. 80072712. 394351 Cylinder Assy. (Used after Code No. 79091712 and Used before Code No. 80072812) 393274 Cylinder Assy. (Used before Code No. 79091812) 394381 Cylinder Assy. Ball Bearing (Used after Code No. 80051912) Used on Model 401431, 401437 Series. 394312 Cylinder Assy. Ball Bearing (Used before Code No. 80052012) Used on Model 401431, 401437 Series.	13	93111	Screw—Cylinder Head (1-15/16" long) Note: 93772 Stud—Cyl. Hd. 22963 Washer Used on Type No. 0131. 93776 Stud—Cyl. Hd. Used on Type No. 0168.	18	394420	Cover Assembly—Crankcase (Used after Code No. 79120912) Note: 393272 Cover Assy.—Crankcase (Used before Code No. 79121012) 394309 Cover Assy.—Crankcase (Ball Brg.) Used on Model 401431, 401437 Series. 394535 Cover Assy.—Crankcase (Ball Brg.) Used on Type No. 0167.
2	261623	Bearing—Cylinder Note: Used on 394900 Cylinder Assy. Only.	14	93113	Screw—Cylinder Head (2-5/16" long) Note: 93583 Stud—Cyl. Hd. 22963 Washer Used on Type No. 0131. 93583 Stud—Cyl. Hd. Used on Type No. 0168.	20	291675	Seal—Oil
3	391086	Seal—Oil	15	91084	Plug—Oil Drain	22	93847	Screw—Crankcase Cover Mtg. Sem
5-1	212461	Head—Cylinder #1 Note: 212179 Head—Cyl. (Used before Code No. 79091712)	15A	93448	Plug—Hex. Socket	23	392956	Flywheel and Ring Gear Assy.—Magneto Note: 393480 Flywheel and Ring Gear Assy.— Magneto (13 Amp.) Used on Type Nos. 0012, 0013, 0021, 0022, 0145, 0162, 0512.
5-2	212462	Head—Cylinder #2 Note: 212180 Head—Cyl. (Used before Code No. 79091712)	16	392976	Crankshaft Note: 393448 Crankshaft Used on Type Nos. 0070, 0114, 0132, 0137, 0138, 0139, 0143, 0144, 0148, 0152, 0154, 0155, 0156, 0570, 0632, 0636, 0637. 393777 Crankshaft Used on Type No. 0119. 393823 Crankshaft Used on Type Nos. 0015, 0020, 0116, 0117, 0118, 0150, 0160, 0162, 0167. 393962 Crankshaft Used on Type Nos. 0021, 0121. 393964 Crankshaft Used on Type Nos. 0022, 0122, 0153, 0164.	24	222698	Key—Flywheel (For MAGNETRON Ignition) Note: 61760 Key— Flywheel (For Breaker Ignition System)
7-1	*270984	Gasket—Cylinder Head #1				25	393271	Piston Assembly— Standard
7-2	*270983	Gasket—Cylinder Head #2					393343	Piston Assembly— .010" O.S.
8-1	393243	Breather Assembly #1					393344	Piston Assembly— .020" O.S.
8-2	393153	Breather Assembly #2					393345	Piston Assembly— .030" O.S.
9	*27803	Gasket—Valve Cover	17	393741	Bearing—Ball (P.T.O. Side)	MODEL 401400 SERIES PISTON RING SETS:		
10	93394	Screw—Sem	17A	393980	Bearing—Ball (Mag. Side)	26	393277	Ring Set—Piston— Standard
11	280185	Tube—Breather					393340	Ring Set—Piston— .010" O.S.
11A	280198	Tube—Intake					393341	Ring Set—Piston— .020" O.S.
12	*270982	Gasket—Crankcase Cover—1/64" thick *271145 Gasket—Crankcase Cover—.005" thick *271146 Gasket—Crankcase Cover—.009" thick						

*Included in Gasket Set—
Part No. 394501.

401400 to 401499

REF. NO.	PART NO.	DESCRIPTION	REF. NO.	PART NO.	DESCRIPTION	REF. NO.	PART NO.	DESCRIPTION
	393342	Ring Set—Piston—.030" O.S.	54	93208	Screw—Intake Manifold Mtg. Sem	104	† 230896	Pin—Float Hinge
27	260924	Lock—Piston Pin	74	93808	Screw—Sem	105	† 299096	Valve—Fuel Inlet
28	299691	Pin Assembly—Piston—Standard	75	222511	Washer—Spring	107	394352	Body—Lower Carb. (Used after Code No. 79091712)
	391286	Pin Assembly—Piston—.005" O.S.	78	93805	Screw—Sem		Note:	393286 Body—Lower Carburetor (Used before Code No. 79091812)
29	393270	Rod Assembly—Connecting	81	222263	Lock—Muffler Screw			394372 Body—Lower Carburetor (Used on Type No. 0152.)
	Note:	For Connecting Rod with .020" Undersize Crankpin Bore—Order No. 393714.		Note:	223016 Lock—Muffler Screw Used on Type No. 0070, 0161, 0169.			
30	222480	Dipper—Connecting Rod	85	92674	Screw—Hex. Hd.	108	222010	Valve—Choke
31	220863	Washer—1/4 x 5/8 x 1/32	90	394338	Carburetor Assembly (Remote Choke) (Used after Code No. 79091712)	109	392673	Shaft and Lever—Choke
32	92909	Screw—Connecting Rod		Note:	392806 Carburetor Assy. (Remote Choke) (Used before Code No. 79091812)	111	26155	Spring—Choke
33	390420	Valve—Exhaust			394368 Carburetor Assembly (Used on Type No. 0152.)	116	† 65978	Packing—Needle Valve
34	261528	Valve—Intake	91	393297	Body Assembly—Upper Carburetor	119	93496	Screw—Hex. Hd. Sem—10/32 x 5/8"
	Note:	261055 Valve—Intake		Note:	394376 Body Assy.—Upper Carburetor (Used on Type No. 0152.)	121	394502	Carburetor Overhaul Kit
	Uses:	393606 Seal Assy. and Retainer (Ref. No. 868) (Used before Code No. 80072812)					Note:	393301 Carburetor Overhaul Kit (Used before Code No. 79031900)
35	65906	Spring—Intake Valve	92	393293	Body—Upper Carb.	161	222752	Body—Air Cleaner
36	26828	Spring—Exhaust Valve	93	231209	Bushing—Throttle Shaft	171	93715	Nut—Hex.
40	221596	Retainer—Intake Valve	94	† 292681	Valve Assembly—Carburetor Idle	180	292415	Tank Assembly—Fuel (8 Quart)
41	292260	Rotocoil—Exhaust Valve	95	93499	Screw—Throttle and Choke Valve Mtg. Sem		Uses:	297866 Cap—Fuel Tank (Used on Type No. 0167.)
42	93630	Retainer—Exhaust Valve Rotocoil (2)	96	221939	Valve—Throttle	186	67218	Elbow—Connector
45	261368	Tappet—Valve	97	392672	Shaft and Lever—Throttle	187	299146	Line—Fuel (28") Cut to Required Length
46	212337	Gear—Cam (Used on Type Nos. 0500 and Up.)		Note:	393469 Shaft and Lever—Throttle (Used on Type No. 0152.)	189	90366	Lockwasher
	Note:	212415 Gear—Cam (Used only with Cyl. Heads 212461 & 212462)	98	91920	Screw—Machine, Fil. Hd.—8-32 x 5/8"	201	261444	Link—Governor
		212173 Gear—Cam (Used before Code No. 79091712)	99	26157	Spring—Throttle Adjustment	202	261531	Link—Speed Control (Used after Code No. 79091712)
50	393349	Manifold Assy.—Intake	102	* 271008	Gasket—Carburetor Body		Note:	261460 Link—Speed Control (Used before Code No. 79091812)
51	† *271412	Gasket—Carb. Mtg.		Note:	271256 Gasket—Carb. (Used on Type No. 0152.)	206	21772	Nut—Control Rod
52	* 270884	Gasket—Intake Manifold Mtg.	103	298514	Float—Carburetor	208	231191	Rod—Control
53	93415	Screw—Carburetor Mtg. Sem					Uses:	261577 Spring—Control Rod
						209	261446	Spring—Governor

*Included in Gasket Set—Part No. 394501.

†Included in Carburetor Overhaul Kit—Part No. 394502.

401400 to 401499

REF. NO.	PART NO.	DESCRIPTION	REF. NO.	PART NO.	DESCRIPTION	REF. NO.	PART NO.	DESCRIPTION
209A	261563	Spring—Governed Idle (Used after Code No. 79091712) Note: 261487 Spring—Governed Idle (Used before Code No. 79091812) 261578 Spring—Governed Idle Used on Type No. 0152.	246	298683	Bowl—Fuel Filter	324	222872	Screen—Rotating
216	261511	Rod—Manual Choke	247	99665	Yoke—Fuel Filter		Note: 393330	Screen—Stationary
219	394348	Gear—Governor (Used after Code No. 79091712) Note: 393273 Gear—Gov. (Used before Code No. 79091812)	257	93897	Screw—Sem (Casing Clamp)			Used on Type Nos. 0130, 0147, 0159.
220	222773	Washer—Thrust	258	93868	Screw—Sem			223008 Screen—Rotating
222	222807	Bracket—Speed Control	265	221535	Clamp—Casing			Used on Type Nos. 0145, 0166.
223	222828	Lever—Speed Control	284	93892	Screw—Sem	332	230674	Nut—Hex.
223A	394324	Plate Assembly—Governor Control (Used after Code No. 79091712) Note: 392933 Plate Assy.—Governor Control (Used before Code No. 79091812)	284A	93893	Screw—Sem		Note: 231247	Nut—Hex. Used on Type Nos. 0145, 0166.
227	393846	Lever Assy.—Governor (Used after Code No. 79091712) Note: 392943 Lever Assy.—Governor (Used before Code No. 79091812)	300	394200	Muffler—Exhaust Note: 392101 Muffler—Exhaust Used on Type No. 0168.	333	394891	Armature Group (Magnatron Ignition)
229	222289	Washer	300A	391370	Muffler—Exhaust Includes:	333A	392329	Armature Assembly
230	220863	Washer—Gov. Crank (Inside)	300B	394237	Muffler—Exhaust Includes:	334	93381	Screw—Armature Mtg. Sem
230A	93852	Washer—Gov. Crank (Used before Code No. 79091812)	300C	392989	Muffler—Exhaust	337	394539	Plug—Spark (Resistor)
240	295984	Filter Assy.—Fuel	302	261409	Locknut—Muffler	339	393403	Breaker Assy.—Ignition Note: For Conversion to MAGNETRON Ignition Order Part No. 394891.
240A	394358	Filter—Fuel (In Fuel Pipe)	304	392681	Housing—Blower	340	26018	Spring—Breaker Arm
241	296005	Cover Assy.—Fuel	305	93158	Screw—Sem	342	393598	Plunger—Breaker Point
242	295913	Valve and Cover—Fuel Shut-Off	306-1	222846	Shield—Cylinder	343	392912	Condenser
243	22547	Screen—Fuel Filter	306-2	222847	Shield—Cylinder	344	93042	Screw—Hex. Hd. Sem
244	230318	Connector—Fuel Pipe	307	93163	Screw—Sem	345	212259	Cover—Breaker Point
245	68477	Gasket—Fuel Filter Bowl	308-1	222848	Cover—Air Guide	346	93854	Screw—Sem
			308-2	222849	Cover—Air Guide	353	92791	Washer—Lock—Shakeproof
			309		Motor—Starting See Chart for Replacement Parts for Starting Motors on Page 7.	354	90576	Nut—Hex.—8-32
			319	394988	Armature Assy.	356	391115	Wire—Ground Note: 393035 Wire—Ground Used on Type Nos. before 0500.
			321	212277	Fan—Booster Note: 212370 Fan—Booster (8") Used on Type Nos. 0010, 0011, 0012, 0013, 0015, 0020, 0021, 0022, 0070, 0118, 0121, 0122, 0143, 0144, 0146, 0153, 0155, 0160, 0162, 0167, 0510, 0511, 0512, 0570, 0636, 0637.	357	91540	Key
					212418 Fan—Booster (10") Used on Type Nos. 0145, 0166.	358	393278	Gasket Set
						363	19203	Puller—Flywheel (Optional Accessory)
						370	231172	Bushing—Speed Control
						370A	66432	Washer—Plain
						383	89838	Wrench—Spark Plug
						387	280197	Body—Pump
						392	‡261395	Spring—Pump
						394	‡270988	Diaphragm
						432	‡221377	Cap—Spring

‡Included in Carburetor Overhaul Kit—Part No. 394502 and Pump Repair Kit—Part No. 393397.

401400 to 401499

another free manual from www.searstractormanuals.com

REF. NO.	PART NO.	DESCRIPTION	REF. NO.	PART NO.	DESCRIPTION	REF. NO.	PART NO.	DESCRIPTION
434	222615	Cover—Diaphragm	549	271180	Washer	676	393761	Deflector—Muffler (Side Outlet)
435	93829	Screw—Diaphragm Cover	552	261559	Lower Bushing—Gov.			For Spark Arrestor Assy. Use No. 392390 on Type Nos. 0134, 0137, 0142, 0147, 0150, 0158, 0159, 0630.
445	392642	Cartridge—Air Cleaner	556	93783	Screw—Hex. Hd.			Note: For Spark Arrestor Assy. Use No. 392193 on Type No. 0132.
	Note:	394018 Cartridge Air Cleaner Used on Type Nos. 0020, 0022, 0116, 0117, 0118, 0121, 0122, 0150, 0153, 0160, 0162, 0164, 0167.	558	92268	Washer			222292 Deflector—Muffler (Side Outlet) Used on Type Nos. 0013, 0020, 0021, 0022, 0129, 0146.
451	271037	Washer—Breaker Box	561	92278	Nut—Hex	676A	222902	Deflector—Muffler (Louvered Outlet)
455	222674	Cup—Screen Mounting	562	93853	Bolt—Governor Lever (Back Plate to Cyl.)	681	†394033	Valve Assy.—Needle
467	212292	Knob—Air Cleaner	567	93777	Screw—Hex. Hd.		Note:	393298 Valve Assy.—Needle (Used before Code No. 79030112)
468	222673	Screen—Flush Rotating	568	393559	Base—Engine	722	280222	Seal—Plunger
474	393474	Stator—Alternator (Dual Circuit)	569	*270981	Gasket—Engine Base	725	222981	Shield—Heat
	Note:	393295 Stator—Alternator (13 Amp.) (Uses Ref. 878A)	572	222700	Guide—Air	726	391362	Gear—Flywheel Ring (Includes Mounting Parts)
474A	392595	Stator—Alternator (Tri-Circuit)	573	392934	Back Plate Assy.	727	222987	Guard—Ring Gear
478	223106	Bracket—Starter	575	299139	Switch—Starting	741	261363	Gear—Timing
482	93621	Screw—Sem	578	394518	Wire Assembly	795	392697	Switch—Ignition (Toggle)
501	394890	Regulator—Alternator (13 Amp.)	586	22906	Lock—Flywheel Nut			Uses: 93888 Nut—Hex.
506	231174	Terminal	590	93171	Screw—Sem	814	392606	Wire Assembly—Alternator (Tri-Circuit)
507	280180	Grommet—Insulator	592	92278	Nut—Hex.—10-24	823	93535	Screw—Sem
518	69932	Rope—Starter	601	93053	Clamp—Fuel Pipe	826	394667	Wire Assembly (Starter Switch to Ground Wire Terminal)
520	93722	Terminal—Spade	605	222959	Bracket—Regulator	840	394583	Panel Assy.—Starter
523	392781	Cap and Dipstick—Oil Filler	613	93704	Screw—Muffler Mtg.	847	393031	Dipstick and Tube Assembly
524	68838	Seal—Filler Tube		Note:	93927 Screw—Muffler Mtg. Used on Type No. 0070, 0161, 0169.	851	221798	Terminal—Ignition Cable
525	392782	Tube—Oil Filler	615	93851	Retainer—E-Ring	858	‡270989	Diaphragm—Damping
526	93343	Screw—Regulator	616	394396	Crank—Governor (Used after Code No. 79091712)	859	‡271025	Gasket—Carb. Pump
527	220509	Clip—Wire		Note:	393309 Crank—Gov. (Used before Code No. 79091812)	860	‡261358	Spring (2)
528	393244	Line—Fuel (Impulse) (9" long - old style) Standard 4-1/2" long	634	†271013	Washer (Throttle Shaft)	861	393397	Repair Kit—Pump
535	270998	Element—Air Cleaner	634A	271316	Foam Seal—Governor Shaft			
	Note:	271271 Element—Air Cleaner Used on Type Nos. 0020, 0021, 0116, 0117, 0118, 0121, 0122, 0150, 0153, 0160, 0162, 0164, 0167.	635	66538	Elbow—Spark Plug			
537	†271014	Gasket—Air Cleaner	639	*271039	Gasket—Breaker Box			
539	221372	Clip—Control Rod	642	222753	Cover—Air Cleaner			
542	92484	Screw—Fil. Hd.	643	222835	Cartridge Plate—Air Cleaner			
			653	91162	Screw—Hex. Hd.—5/16-18 x 1-1/2"			
			654	230783	Nut—Contact Point Adjusting Screw			
			657	93496	Screw—Sem			
			664	93343	Screw—Sem			
			664A	93415	Screw—Hex. Hd.			
			673	93705	Screw—Hex. Hd.—#8/32 x 3/8			

*Included in Gasket Set—Part No. 394501.

†Included in Carburetor Overhaul Kit—Part No. 394502.

‡Included in Carburetor Overhaul Kit—Part No. 394502 and Pump Repair Kit—Part No. 393397.

401400 to 401499

REF. NO.	PART NO.	DESCRIPTION	REF. NO.	PART NO.	DESCRIPTION	REF. NO.	PART NO.	DESCRIPTION
862	392643	Mounting Strap Assy.— Air Cleaner	867	222775	Frame—Air Guide	877A	393537	Connector Assy. (Tri-Circuit)
863	222776	Bracket—Muffler	868	393279	Seal Assy. and Retainer	877B	393814	Diode and Connector Assembly
864	231162	Connector—Muffler	869	261463	Seat—Intake Valve (Standard)	878	393362	Alternator Harness Assembly
864A	393483	Liner Assy.—Exhaust Port		Note:	211661 Seat—Intake Valve (Std.) (Used before Code No. 80072812)	878A	393422	Alternator Harness Assy.
864B	392196	Adaptor Assy.— Muffler	870	210940	Seat—Exhaust Valve (Standard)	883	270917	Gasket—Exhaust
864C	394425	Adaptor Assy.— Muffler	871		Guide—Exhaust Valve 231218 or 230655 See Repair Manual	883A	270918	Gasket—Exhaust
865-1	392991	Cover Assy.—Air Guide (Cyl. #1)	877	393456	Diode and Connector Assembly (Dual Circuit)	883B	271174	Gasket—Exhaust
865-2	392992	Cover Assy.—Air Guide (Cyl. #2)				887	391529	Stator Assembly— Alternator (D.C.)
866	393025	Rear Insert Assy. (Air Guide)				897	394970	Trigger Coil Assy. MAGNETRON Ignition

another free manual from www.searstrackmanuals.com