

Sears

**OWNERS
MANUAL**



**ACCESSORY MOUNTING SYSTEM
MODEL NO. 235-26433**

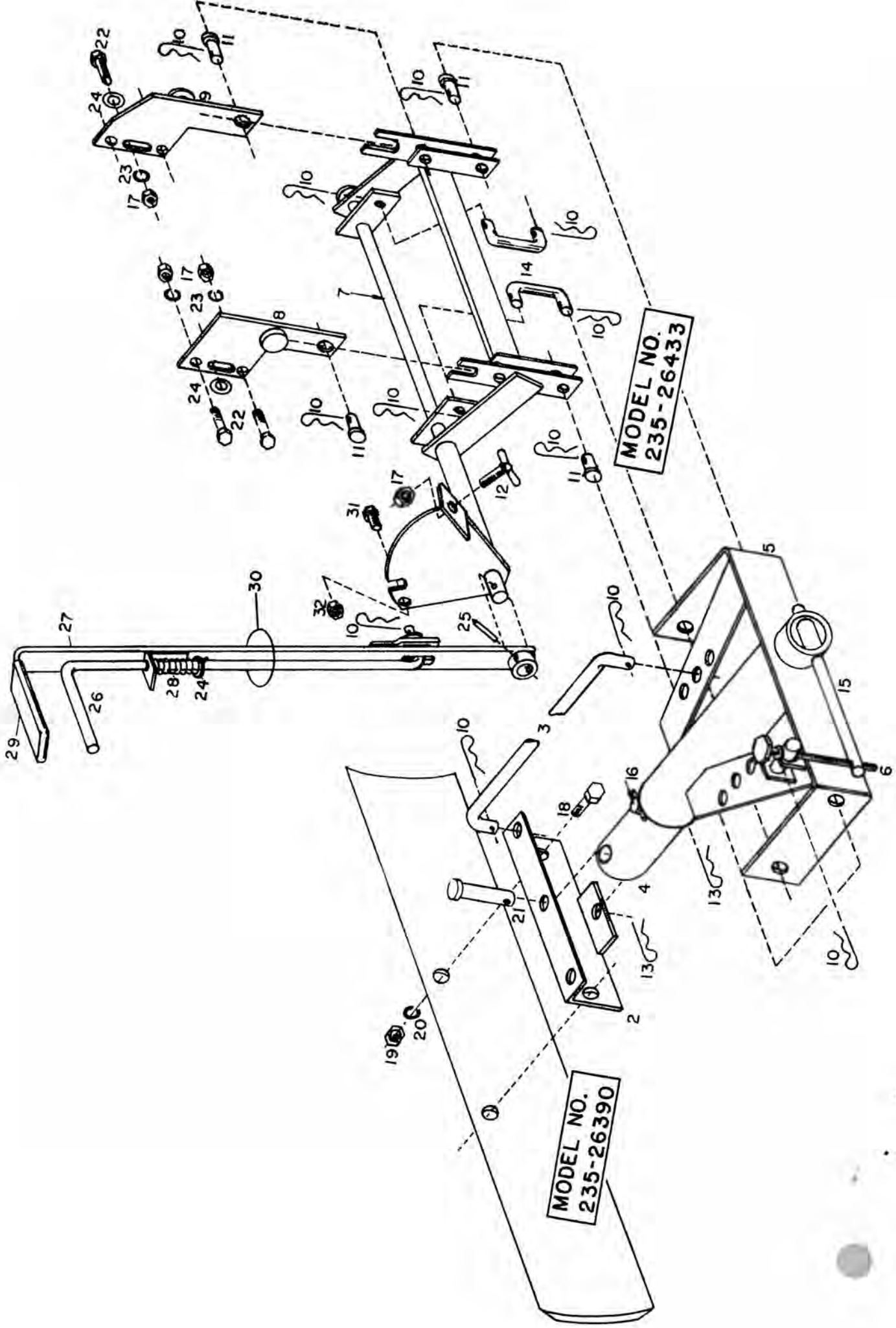
USED WITH

42" GRADER BLADE
MODEL NO. 235-26390

RAKE ATTACHMENT
MODEL NO. 235-26424

- **ASSEMBLY**
- **OPERATING**
- **REPAIR PARTS**

501084



PARTS LIST

ACCESSORY MOUNTING SYSTEM
MODEL NO. 235-26433

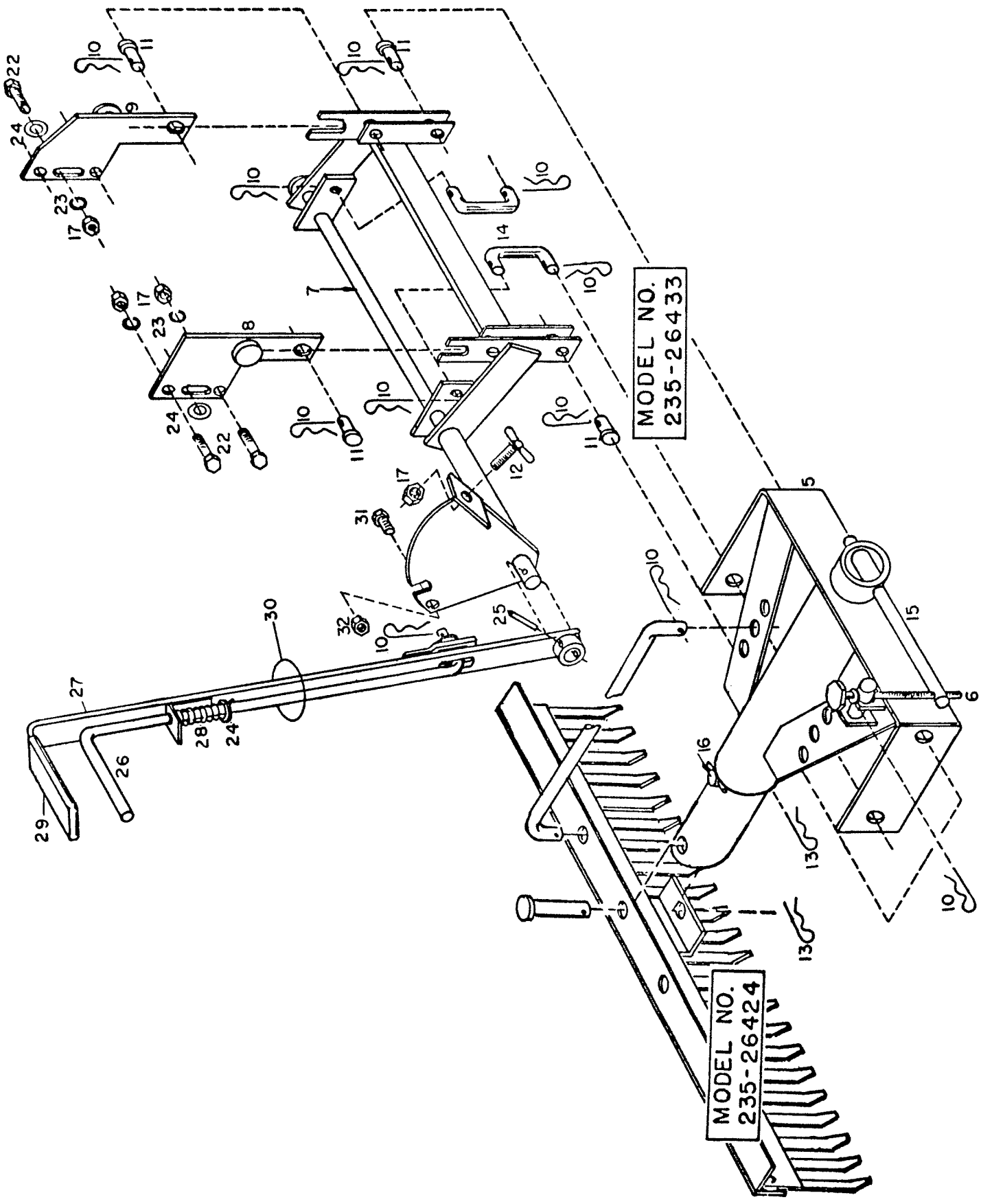
KEY NO.	PART NO.	QUNTY.	DESCRIPTION
1	501001	1	SEPARATE ITEM BLADE MOD. NO. 235-26390
2	501048	1	BLADE BRACKET
3	501043	1	ANGLE CONTROL ROD
4	501008	1	PIVOT TUBE
5	501057	1	MOUNTING BRACKET
6	501012	1	ADJUSTING SCREW
7	501068	1	LIFT BRACKET
8	501044	1	R.H. MOUNTING BRKT.
9	501045	1	L.H. MOUNTING BRKT.
10	900001	12	NO. 3 SAFETY PINS
11	501077	4	CLEVIS PINS
12	501040	1	HEIGHT ADJ. SCREW
13	900003	2	NO. 1 SAFETY PINS
14	501042	2	LIFT LINKS
15	501011	1	TILT ADJ. ROD
16	501004	1	PIN
17	120377	7	3/8-16 NUTS
18	428217	2	5/8-11 X 1-1/2 HEX BOLT
19	124589	2	5/8-11 NUT
20	121574	2	5/8 LOCKWASHERS
21	501051	1	CLEVIS PIN.
22	120918	6	3/8-16 X 1-1/2 HEX BOLT
23	120382	6	3/8 LOCKWASHER
24	120394	3	3/8 FLAT WASHER
25	525037	1	1/4 X 1-1/2 PIN
26	518058	1	LIFT ROD
27	518054	1	LIFT LEVER ASSEMBLY
28	501021	1	SPRING
29	518038	1	HANDLE GRIP
30	518057	1	LIFT LVR. & ROD ASSEM.
31	121852	1	5/16-18 X 1/2 HEX BOLT
32	9415988	1	5/16-18 LOCKNUT

ASSEMBLY INSTRUCTIONS:

- 1-ATTACH #9, L.H. BRACKET, TO THE TRACTOR USING PARTS #17, 22, 23 & 24. REPEAT FOR #8, R.H. BRACKET. MOUNTING HOLES IN THE TRACTOR ARE LOCATED MIDWAY AND A LITTLE FORWARD ON EACH SIDE.
- 2-PLACE #7, LIFT BRACKET, UNDER TRACTOR AND POSITION THE SLOTS UNDER THE PINS ON BRACKETS 8 AND 9. SECURE IN PLACE WITH #11, CLEVIS PINS, AND INSERT ONE #10, SAFETY PIN, THROUGH EACH CLEVIS PIN HOLE.
- 3-POSITION #5, MOUNTING BRACKET, WITH ALREADY INSTALLED LIFT BRACKET, AND HANG IN PLACE WITH #14, LIFT LINKS, AS SHOWN. INSERT ONE #10, SAFETY PIN, THROUGH EACH LINK HOLE.
- 4-ATTACH #2, BLADE BRACKET, TO #1, BLADE, USING PARTS #18, 19 & 20. TIGHTEN NUTS SECURELY. ONCE THE BRACKET IS ATTACHED TO THE BLADE, IT IS UNNECESSARY TO EVER REMOVE IT.
- 5-PLACE #4, TUBE, IN POSITION WITH HOLES IN #2, BLADE BRACKET, AND INSERT #21, PIN, THROUGH HOLE. INSERT ONE #13 SAFETY PIN.
- 6-ROTATE INSTALLED BLADE ASSEMBLY TO DESIRED ANGLE AND DROP #3, ANGLE CONTROL ROD, IN HOLES. INSERT ONE #10, SAFETY PIN, THROUGH EACH HOLE.
- 7-TO ATTACH #30, LIFT LEVER AND ROD ASSEMBLY, PLACE HOLE IN THE END OVER EXPOSED END OF SHAFT AND POSITION SO THAT THE LEFT EDGE OF THE QUADRANT SLIPS THROUGH THE SPACE RETAINING THE SPRING LOADED LIFT ROD. WHEN IT IS IN IT'S FARTHEST POSITION ROTATE TO THE RIGHT UNTIL THE PIN HOLES ALIGN WITH EACH OTHER. DRIVE #25, PIN, THROUGH HOLES. INSERT #31, HEX BOLT, THROUGH HOLE AND LOCK WITH #32, NUT. INSERT #12, ADJUSTING SCREW, AND LOCK IN PLACE WITH #17, NUT.
- 8-TO ATTACH THE RAKE ATTACHMENT, MODEL NO. 235-26424, NO BRACKET IS REQUIRED. SIMPLY PLACE #4, PIVOT TUBE, IN POSITION WITH RAKE AS SHOWN IN EXPLODED VIEW OF PARTS. SECURE WITH #21, CLEVIS PIN, AND #13, SAFETY PIN. SET DESIRED ANGLE OF RAKE AND DROP #3, ANGLE CONTROL ROD IN HOLES. INSERT ONE #10, SAFETY PIN IN EACH HOLE.

OPERATING INSTRUCTIONS

- 1-PULL THE LIFT LEVER BACK UNTIL THE ROD FALLS INTO THE SLOT TO HOLD IN UP POSITION. ALL THE WAY FORWARD DROPS THE BLADE TO GROUND LEVEL.
- 2-GRADER BLADE GROUND HEIGHT CAN BE CHANGED BY ADJUSTING #12, HEIGHT ADJUSTING SCREW. CLOCKWISE RAISES THE BLADE, COUNTER CLOCKWISE LOWERS IT.
- 3-CHANGING THE ANGLE OF THE BLADE IS ACCOMPLISHED BY SELECTING THE RIGHT HOLE IN #5, MOUNTING BRACKET, AND LOCKING IN POSITION WITH #3, ANGLE CONTROL ROD.
- 4-TO ROTATE THE BLADE, ADJUST #6, ADJUSTING SCREW, UNTIL SUITABLE GRADE IS OBTAINED.

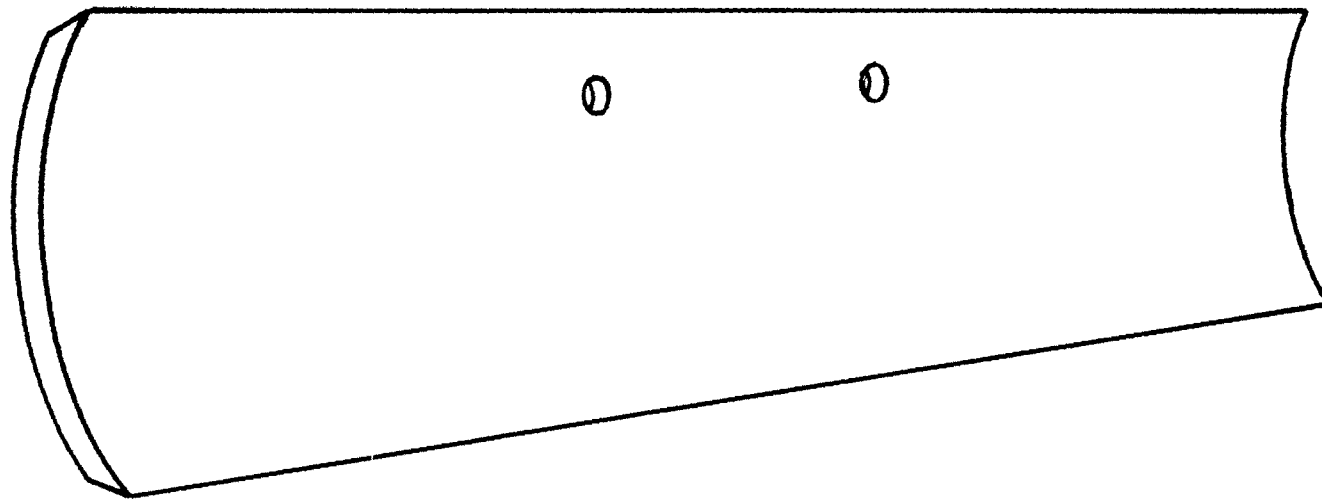


MODEL NO.
235-26433

MODEL NO.
235-26424

Sears

42" GRADER BLADE
MODEL NO. 235-26390



Sears, Roebuck and Co., Chicago, Ill. 60684 U.S.A. and Simpsons-Sears Limited, Toronto

Sears

**OWNERS
MANUAL**

All parts listed herein may be ordered through any Sears, Roebuck and Company or Simpson-Sears limited retail or catalog store. If the parts you need are not stocked locally, your order will be electronically transmitted to a Sears repair parts distribution center for "Expedited Handling".

WHEN ORDERING REPAIR PARTS, ALWAYS GIVE THE FOLLOWING INFORMATION:

- | | |
|------------------------------|---|
| 1. PART NUMBER | 3. PART DESCRIPTION |
| 2. MODEL NUMBER
235-26433 | 4. NAME OF ITEM
ACCESSORY MOUNTING
SYSTEM |

When you buy merchandise from Sears, you get an extra something that nobody else can offer . . . Sears Service.