

COAST TO COAST NATION-WIDE

SERVICE FROM SEARS

SEARS HAULING DUMP CART

SEARS, ROEBUCK AND CO. and SIMPSONS-SEARS LIMITED in Canada back up your investment with quick mechanical service and genuine SEARS replacement parts.

If and when you need repairs or service, call on us to protect your investment in this fine piece of equipment.



MODEL NUMBER 402.98701

The Model Number will be found on a plate attached to the Blade.

HOW TO ORDER REPAIR PARTS

All parts listed herein may be ordered through SEARS, ROEBUCK AND CO. or SIMPSONS-SEARS LIMITED. When ordering parts by mail from the mail order house which serves the territory in which you live, selling prices will be furnished on request or parts will be shipped at prevailing prices and you will be billed accordingly.

WHEN ORDERING REPAIR PARTS, ALWAYS GIVE THE FOLLOWING INFORMATION AS SHOWN IN THIS LIST:

1. The PART NUMBER.
2. The PART NAME.
3. The NAME of Item -- TRACTOR CART
4. The MODEL NUMBER -- 402.98701

SEARS, ROEBUCK AND CO. - U.S.A.

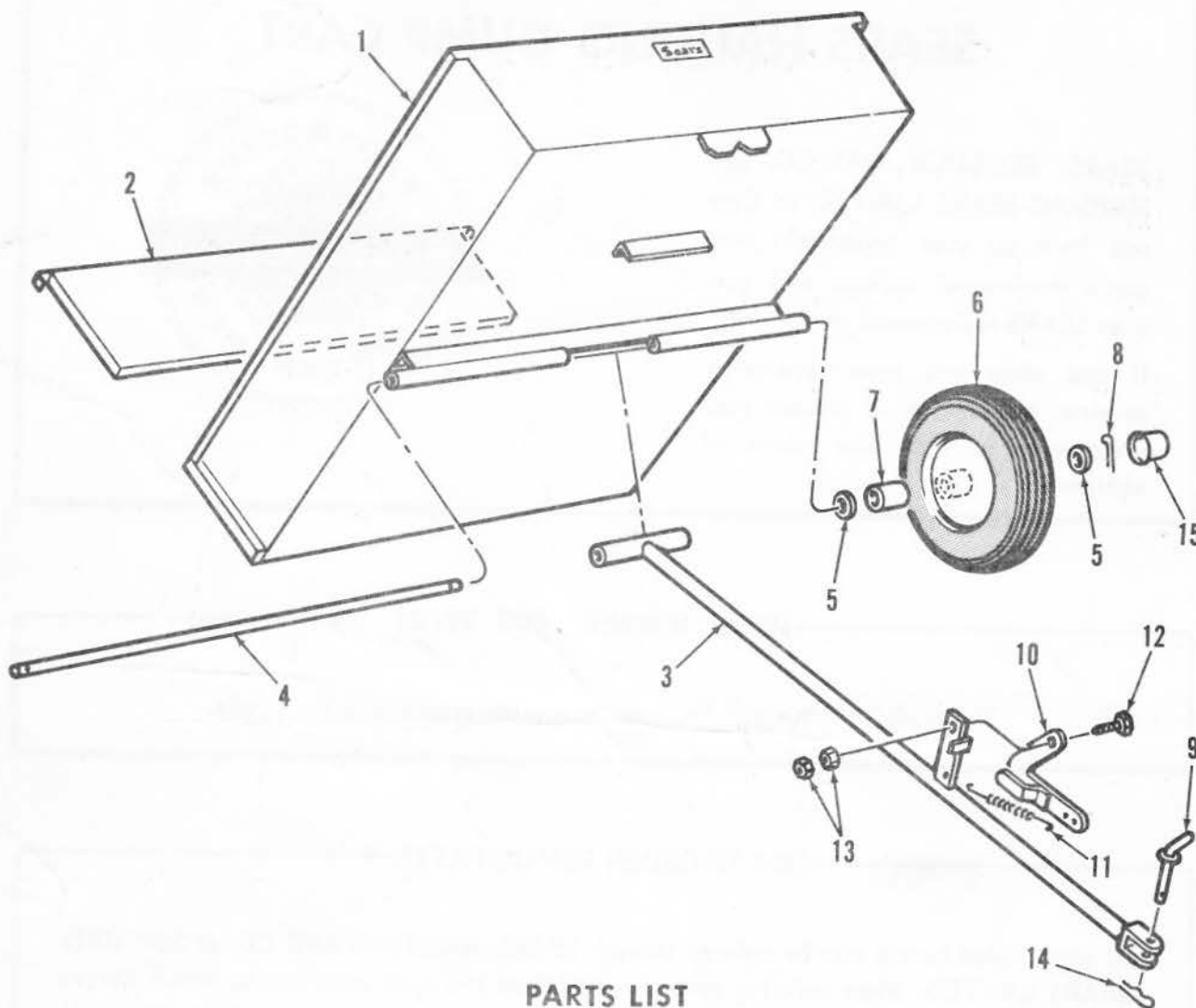
SIMPSONS-SEARS LIMITED, CANADA

PRINTED IN U.S.A.

SEARS HAULING DUMP CART

MODEL NO. 402.98701

For Riding Tractor



PARTS LIST

KEY NO.	DESCRIPTION	PART NO.	QTY.
	Dump Cart, 30" x 48" (Complete)	AP-1985	
1	Body, less Endgate	P-1986	1
2	Endgate	P-1987	1
3	Tongue, w/Latch Assembly	P-1242	1
4	Axle, 3/4" Dia. x 41-1/2" Lg.	P-1243	1
5	*Washer, 3/4"	P-1244	4
6	Wheel, 4:00 x 8-2 Ply, 3/4" bore	P-1245	2
7	Bushing, Wheel	P-1246	4
8	*Cotter Pin, 5/32" x 1-1/4"	P-1247	2
9	Draw Pin, Tongue	P-1248	1
10	Latch Arm	P-1249	1
11	Spring, Tension	P-1250	1
12	*Capscrew, 3/8" x 1", Hex Hd.	P-1251	1
13	*Nut, 3/8" - 16, Hex	P-1252	2
14	Pin, Safety	P-1253	1
15	Hub Cap, Plastic	P-1452	2

*Standard Hardware Items, may be purchased locally.