

**Sears**

**owners manual**  
**TOTE BOX FOR SEARS**

**CUSTOM and COMPACT**  
**TRACTORS 1966—72**  
**1973 ST10 Models**

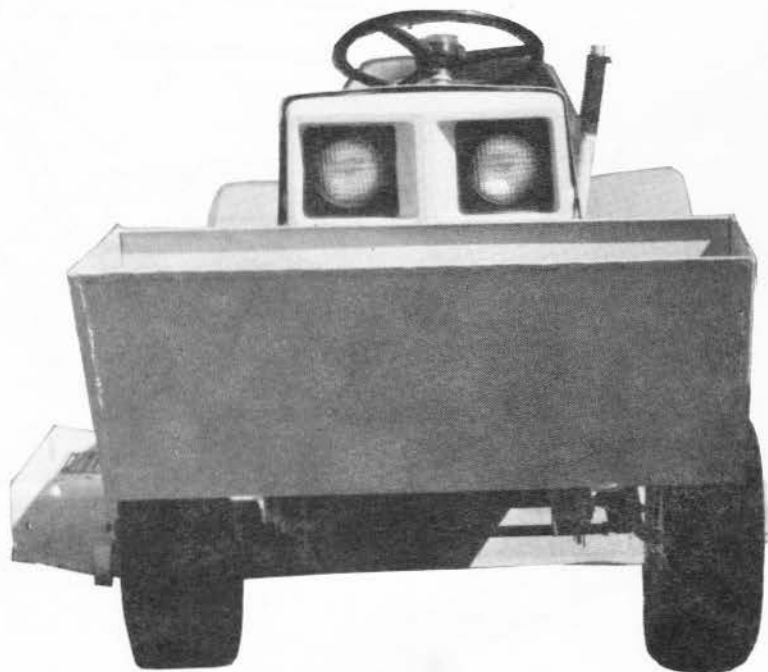
**MODEL NO.**

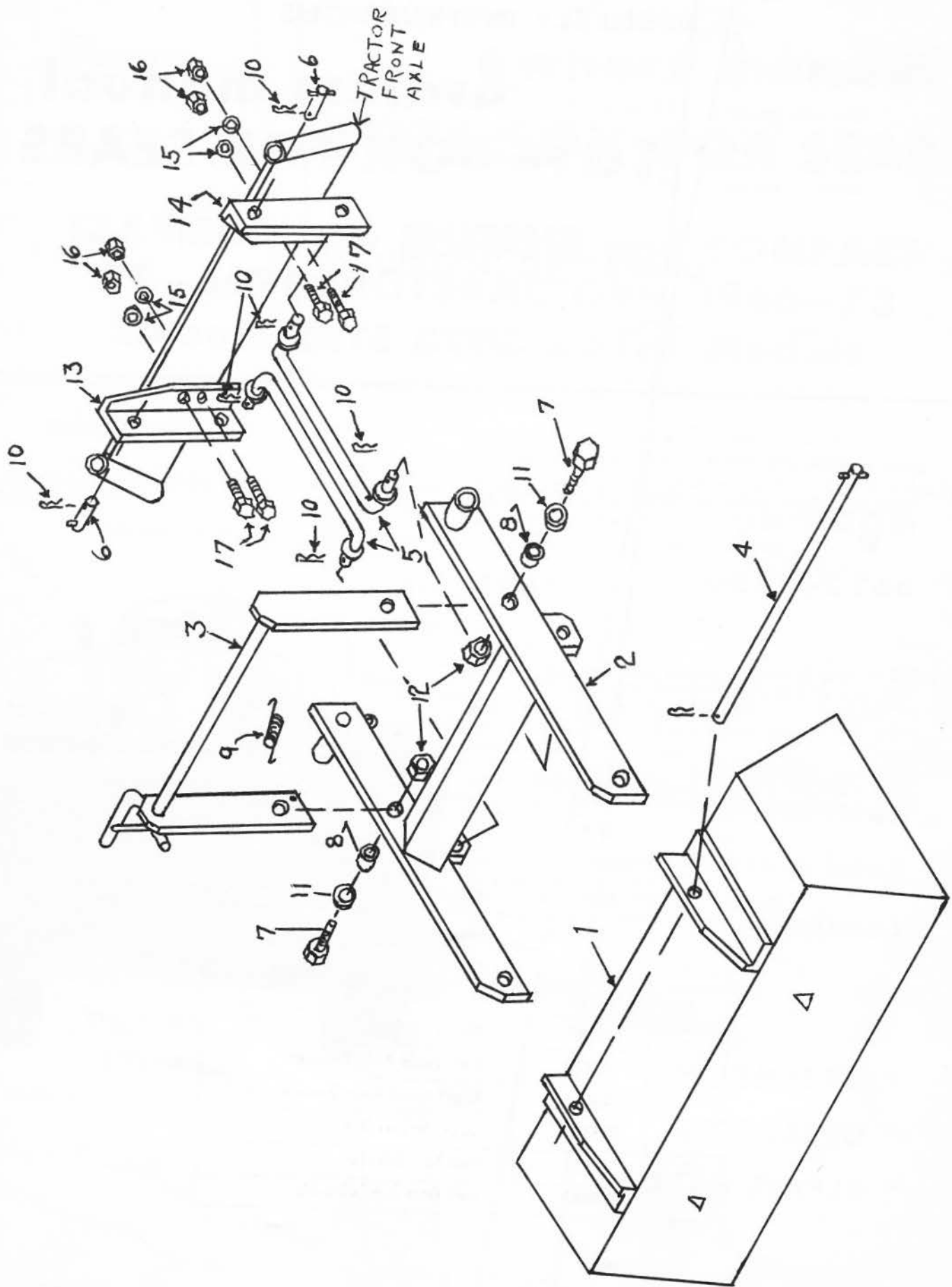
**662.26425 0**

**CAUTION**

**Read Instructions**  
**Carefully**

- **ASSEMBLY**
- **OPERATING**
- **REPAIR PARTS**





## ASSEMBLY INSTRUCTIONS

Bolt axle brackets LEFT-HAND #13 and RIGHT-HAND #14 to axle with bolts, locks, and nuts #15, #16, and #17 as shown. Attach bracket #2 to upper holes in brackets #13 and #14 with pins #6 and #10. Attach brace arms #5 to lower holes of brackets #13 and #14 and to bracket #2 from inside. Attach trip mechanism to bracket #2 as shown. Install bucket to bracket #2 with pins #4 and #10.

## OPERATING INSTRUCTIONS

Your tote box is a handy and useful piece of equipment. It can easily handle a full load of dirt, gravel, sod, etc. Can be left on tractor with mower.

To prevent bending bucket out of shape, use caution when loading with heavy rocks, tree limbs, odd shaped material etc.

Do not trip bucket when in forward motion. Do not make hi-speed turns when bucket is loaded.

Can be filled with sand, etc. and used for extra front end weight when using heavy rear mounted attachments.

## PARTS LIST

KEY NO.	PART NO.	DESCRIPTION
1	14220	Tote Box
2	24250	Bracket
3	34220	Trip Mechanism
4	12160	Pivot Rod
5	54250	Brace Arms
6	58250	Pin
7	122017	Bolt 5/16x1-18
8	12255	Bushing
9	94220	Spring
10	11	Hairpin
11	120376	Hex Nut 5/16-18
12	446363	Washer 5/16
13	13425	Left Hand Axle Bracket
14	14425	Right Hand Axle Bracket
15	103321	Lock Washer 3/8"
16	102635	Hex Nut 3/8-16
17	178843	Hex Bolt 3/8"x1 1/2-16

**Sears**

# **owners manual**

## **TOTE BOX FOR SEARS**

### **CUSTOM and COMPACT TRACTORS 1966-72 1973 ST10 Models**

**MODEL NO.**

**662.264250**

The Model Number will be found on a plate attached to the cross angle of bracket No. 2. Always mention the the Model Number when requesting service or repair parts for your Tote Box.

**HOW TO ORDER  
REPAIR PARTS**

All parts listed herein may be ordered through SEARS ROEBUCK AND CO. or SIMPSONS-SEARS LIMITED. When ordering parts by mail, selling prices will be furnished on prevailing prices and you will be billed accordingly.

WHEN ORDERING REPAIR PARTS, ALWAYS GIVE THE FOLLOWING INFORMATION AS SHOWN IN THIS LIST

1. The PART NUMBER
2. The PART DESCRIPTION
3. The MODEL NUMBER 662.264250
4. The NAME OF ITEM - Tote Box

**SEARS SERVICE  
IS AT YOUR SERVICE  
WHEREVER YOU LIVE  
OR MOVE IN  
THE U.S.A.**