

Sears

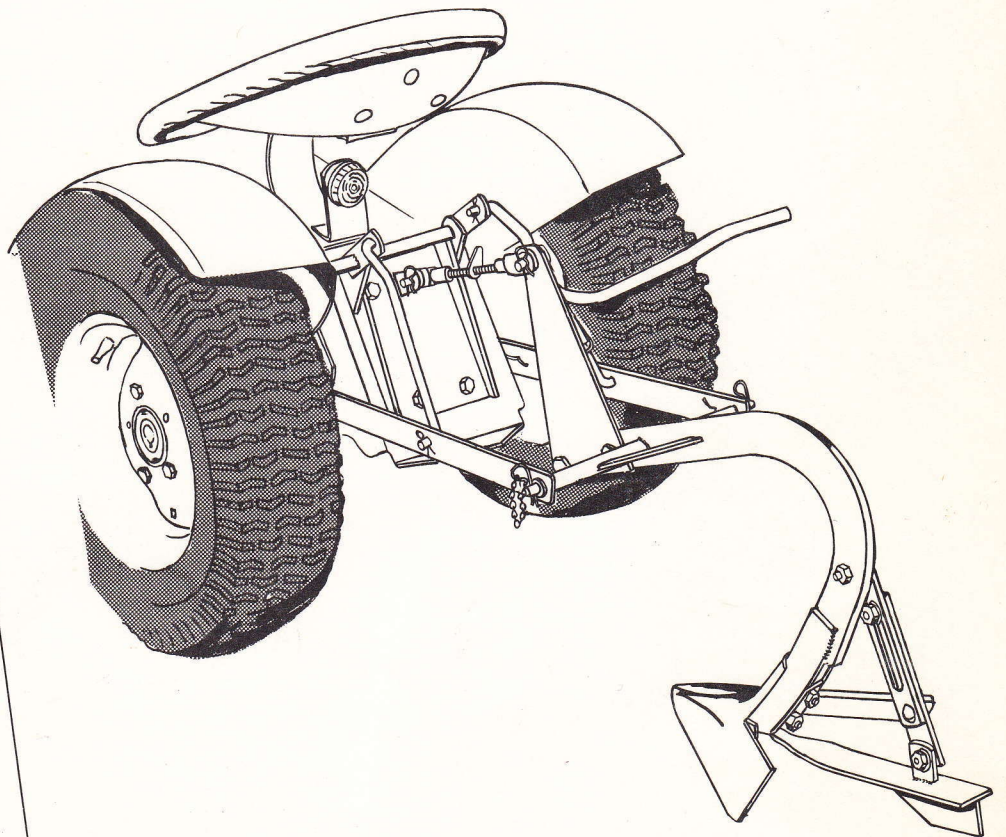
owners manual

SWEEP-HOLDER

MODEL NO.
917.251090

CAUTION:
Read Rules for
Safe Operation
and Instructions
Carefully

- Assembly
- Operating
- Maintenance
- Repair Parts



SEARS, ROEBUCK AND CO. U.S.A.

SIMPSONS-SEARS LIMITED, CANADA

INTRODUCTION

The Sweep-Holder was designed expressly for the Suburbanite who desires to use a middlebuster, sweep, corn shovel, furrow, turn shovels or half shovels and various shovel steels. No ground working tools are shipped with the Sweep-Holder so that the customer may purchase the type that meets his particular needs. The customer may buy the ground working tools of his choice from a local Sears, Roebuck and Co. or Simpsons-Sears Limited store. The beam is so designed that regular sweep bolts or heel bolts may be used.

Each Sweep-Holder is given a thorough inspection before shipment; however, it is very important that it be again thoroughly checked at the time of receipt, to ascertain if any loss or damage had occurred in transit. Your shipment consists of the following package:

Stock Number 32-25109 Sweep-Holder less ground working tools.

Sears, Roebuck and Co. or Simpsons-Sears Limited reserves the right to make any changes in design or improvements without imposing any obligation to install the same upon its implements heretofore manufactured.

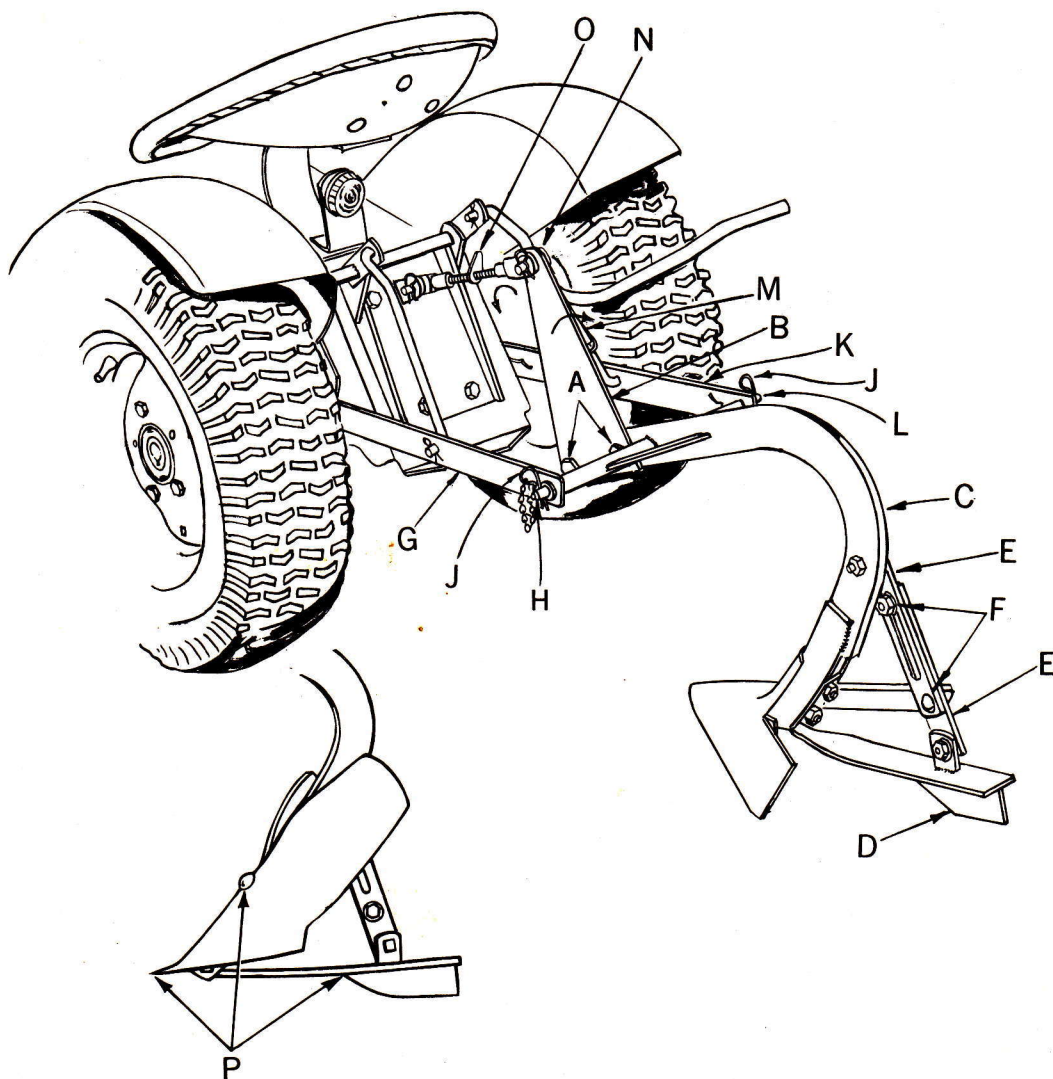


FIG. A

SETTING UP INSTRUCTIONS

A letter in the instructions on page 2 refer to a letter in the above drawing except when otherwise stated. When R.H. (Right Hand), or L.H. (Left Hand) are used, it should be understood to mean from a position behind and facing the Sweep-Holder or direction of travel.

SETTING UP INSTRUCTIONS -- CONTINUED

1. Remove bolts (A), from upper hitch bar (B), and frame (C).
2. Assemble upper hitch bar (B), to frame (C) in upright position as shown in Fig. A, and secure with bolts (A), lockwashers and nuts removed in step 1. Tighten bolts securely.
3. Rotate heel weldment (D), under frame (C), as shown, and assemble the two heel braces (E), together with two 7/16 x 1 carriage bolts (F), flat washers and hex nuts.
4. Bolt ground working tool of your choice to frame as shown, using regular sweep bolt or shovel bolt. NOTE: The lowest part of ground working tool should not be below the top of the heel fin, as the heel fin is used as a stabilizer. Refer to (P, Fig. A).

For adjusting heel see heel adjustment below.

INSTRUCTIONS FOR ASSEMBLING SWEEP-HOLDER TO TRACTOR

1. Back tractor into position to attach Sweep-Holder and slip L.H. hitch bar and bushings (G), over L.H. link pin (H), on Sweep-Holder and secure with retainer spring (J):
2. Slip R.H. hitch bar and bushings (K), over R.H. link pin (L), and secure with retainer spring (J). NOTE: R.H. hitch bar and bushings (M), is adjustable. Rotate turnbuckle so that R.H. hitch bar and bushings (K), slides over R.H. pin (L), when Sweep-Holder is verticle and tractor is on level ground. See Depth Adjustment below.
3. Assemble clevis (N), to upper hitch bar (B), and secure with retainer spring. NOTE: Adjusting screw and handle is adjustable -- see below.

OPERATING INSTRUCTIONS

DEPTH CONTROL

There is a turnbuckle (M), on the linkage of the Sweep-Holder for leveling. Adjust the turnbuckle (M), on the R.H. lift link so that beam is straight up and down when in operation. Rotate turnbuckle from left to right to lengthen linkage.

ADJUSTING SCREW AND HANDLE

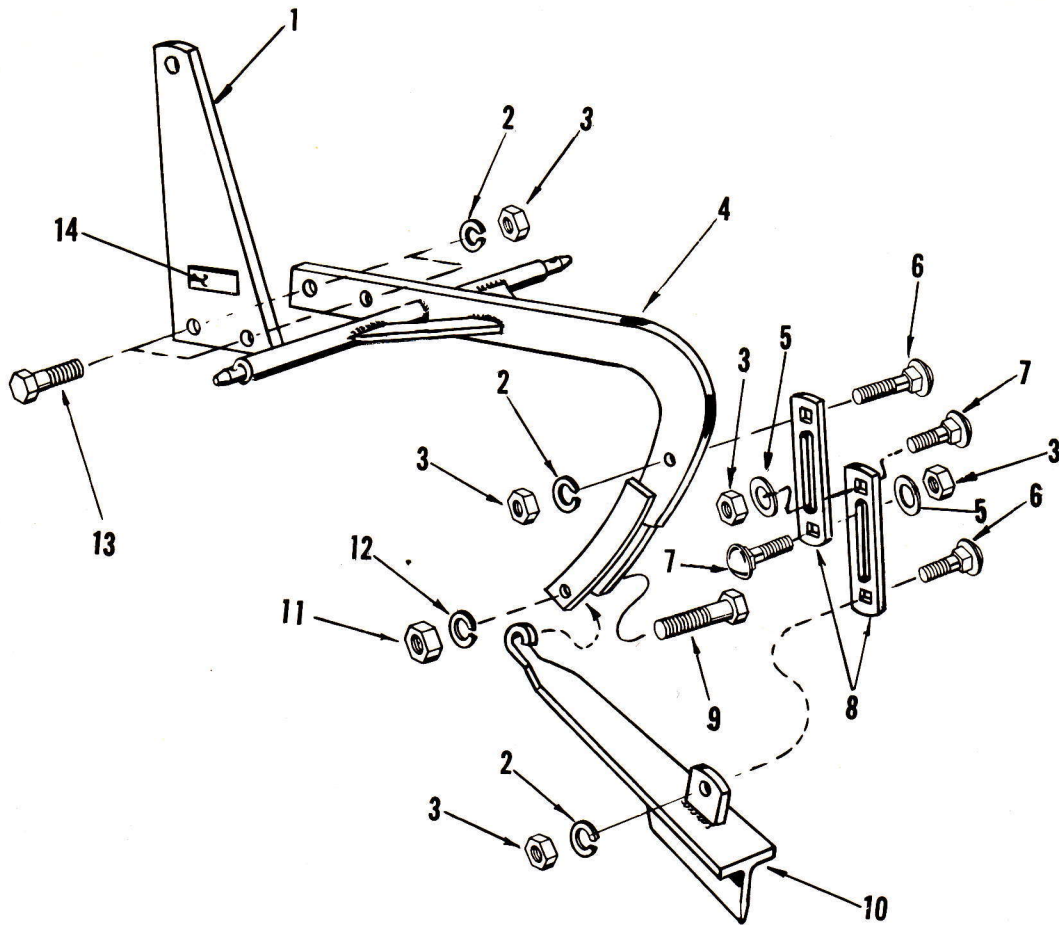
The adjusting screw and handle (O), is the means of setting the correct pitch of the ground working tool. Rotate the handle to the left to shorten the top linkage which will increase the pitch or suck of the ground working tool.

HEEL ADJUSTMENT

After the proper pitch and depth of the ground working tool is acquired, the heel (D), should be adjusted. Loosen the bolts (F), in the heel braces and push the heel down so that the heel is level with furrow bottom, and that the heel fin is cutting in the bottom of the furrow. The heel braces are slotted so that the heel may be adjusted to operate level in the soil regardless of the pitch of the ground working wool. The heel must be operated level to get full stability.

MAINTENANCE AND SERVICE INSTRUCTIONS

When Sweep-Holder is to be stored for several days or longer, clean the ground working tools and heel thoroughly and cover them with a coat of heavy grease or rust preventative. Always store in a dry area. The ground working tools and the fin on the heel should always be kept sharp and polished at all times.



Do not use Key Numbers when ordering repair parts, always use Part Numbers. The Model Number will be found on a plate attached to the Upper Hitch Bar, Key Number 1, above.

PARTS LIST

KEY NO.	PART NO.	DESCRIPTION	KEY NO.	PART NO.	DESCRIPTION
1	1392H	Upper Hitch Bar	9	3184P	Bolt, Finished Hex Hd. 1/2 x 2 1/4 - 13 UNC
2	1001P	Lockwasher 7/16	10	575PA271	Heel Weldment
3	500P	Nut, Hex 7/16 - 14 UNC	11	502P	Nut, Hex 1/2 - 13 UNC
4	606A94A	Frame	12	1000P	Lockwasher 1/2
5	1544P	Washer, Flat 15/32 x 59/64 x 16 Ga.	13	3036P	Bolt, Finished Hex Hd. 7/16 x 1 1/2 - 14 UNC
6	24P	Bolt, Sq. Neck Carriage 7/16 x 1 1/2 - 14 UNC	14	-----	Model Number Plate
7	23P	Bolt, Sq. Neck Carriage 7/16 x 1 - 14 UNC	---	9713H	Instruction and Parts Book
8	7655M	Heel Brace			



Do not use any lubricant when assembling parts unless specified in the instructions. The lubricant will be found on a plate attached to the front of the Key Holder. 1. Check

PARTS LIST

KEY NO.	PART NO.	DESCRIPTION	KEY NO.	PART NO.	DESCRIPTION
1	1000	Bracket	1	1000	Bracket
2	1010	Bracket	2	1010	Bracket
3	1020	Bracket	3	1020	Bracket
4	1030	Bracket	4	1030	Bracket
5	1040	Bracket	5	1040	Bracket
6	1050	Bracket	6	1050	Bracket
7	1060	Bracket	7	1060	Bracket
8	1070	Bracket	8	1070	Bracket
9	1080	Bracket	9	1080	Bracket
10	1090	Bracket	10	1090	Bracket

Sears

owners manual

SWEEP-HOLDER

**MODEL NO.
917.251090**

The Model Number will be found on a plate attached to the upper Hitch Bar. Always mention the Model Number when requesting service or repair parts for your SWEEP-HOLDER.

All Parts listed herein may be ordered through SEARS, ROEBUCK AND CO. or SIMPSONS-SEARS LIMITED. When ordering parts by mail, selling prices will be furnished on request or parts will be shipped at prevailing prices and you will be billed accordingly.

WHEN ORDERING REPAIR PARTS, ALWAYS GIVE THE FOLLOWING INFORMATION AS SHOWN IN THIS LIST.

- | | |
|-------------------------|---------------------------------------|
| 1. The PART NUMBER | 3. The MODEL NUMBER |
| 2. The PART DESCRIPTION | 917.251090 |
| | 4. The NAME OF ITEM –
Sweep-Holder |

Your Sears Merchandise takes on added value when you discover that Sears has over 2,000 Service Units throughout the country. Each is staffed by Sears-trained, professional technicians using Sears approved parts and methods.

**SEARS SERVICE
IS AT YOUR SERVICE
WHEREVER YOU LIVE
OR MOVE
IN THE U.S.A.**

SEARS, ROEBUCK AND CO. U.S.A.

SIMPSONS-SEARS LIMITED, CANADA