

ASSEMBLY, OPERATING INSTRUCTIONS
AND PARTS LIST FOR
SEARS
NOZZLE AND WAND KIT FOR
VACUUM COLLECTOR
FOR SUBURBAN AND CUSTOM TRACTORS
MODEL NUMBER 917.251681



SEARS, ROEBUCK AND CO.—U.S.A.

SIMPSONS-SEARS LIMITED — CANADA

7779H

PRINTED IN U. S. A.

SETTING UP INSTRUCTIONS

Setting Up and Operating Instructions should be studied very closely before beginning to assemble your Nozzle and Wand Kit. A letter in parentheses in the following instructions refers to an arrow in an adjoining Figure (Illustration), unless otherwise stated. When R.H. (Right Hand) or L.H. (Left Hand) are used, it should be understood to mean from a position behind and facing the tractor or direction of travel.

Each Nozzle and Wand Kit is given a thorough inspection before shipment; however, it is very important that it be again checked at the time of receipt to ascertain if any damage has occurred in transit. Your shipment consisted of the following package:

Stock Number 32-25168 Sears Nozzle and Wand Kit

1. If hose (A), connecting mower chute (B), to blower housing (C), is in place, remove the five wing nuts (F), holding blower housing inlet (E), to blower housing (C). Remove inlet and hose assembly from blower housing.

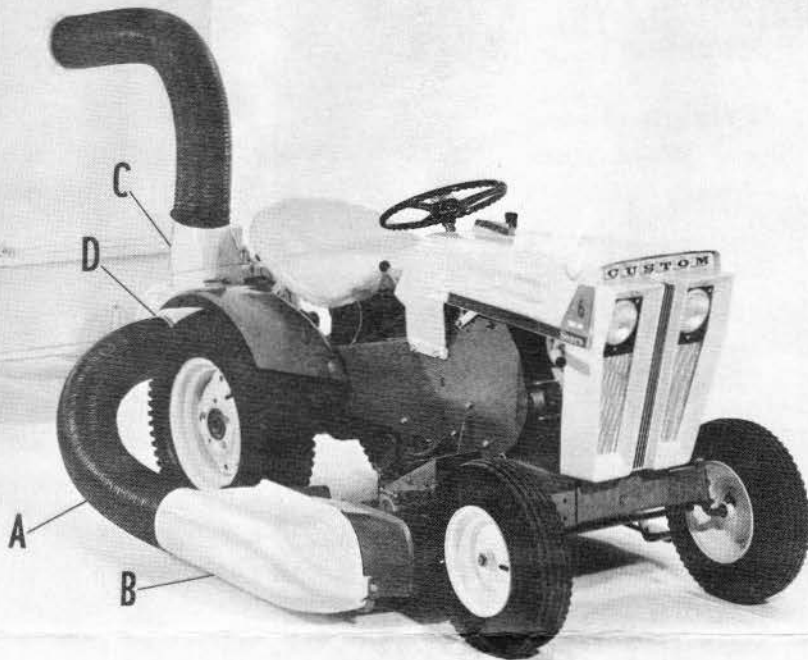
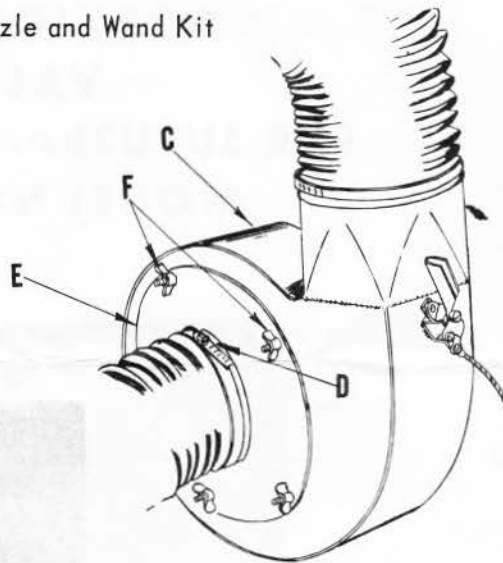


FIG. A

2. Assemble blower housing inlet adapter (G) (shipped in this kit with hose attached) to blower housing (C), with the five wing nuts (F), removed in step 1 above.

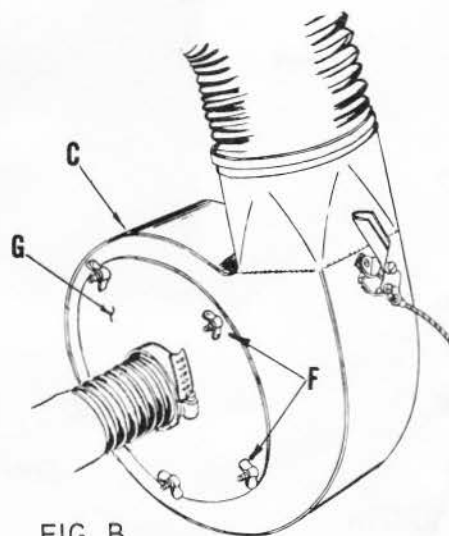
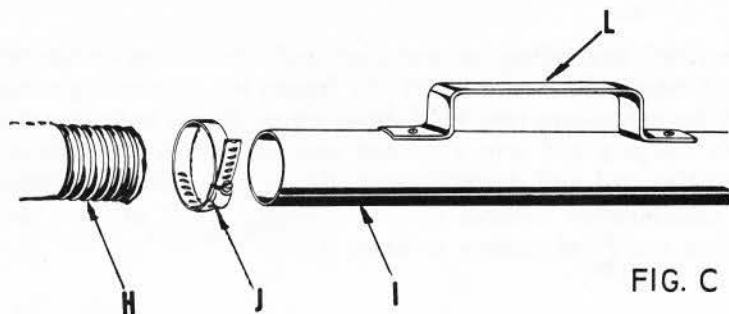
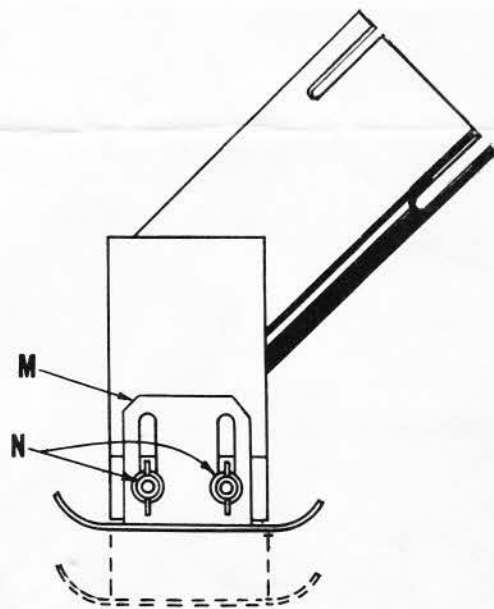
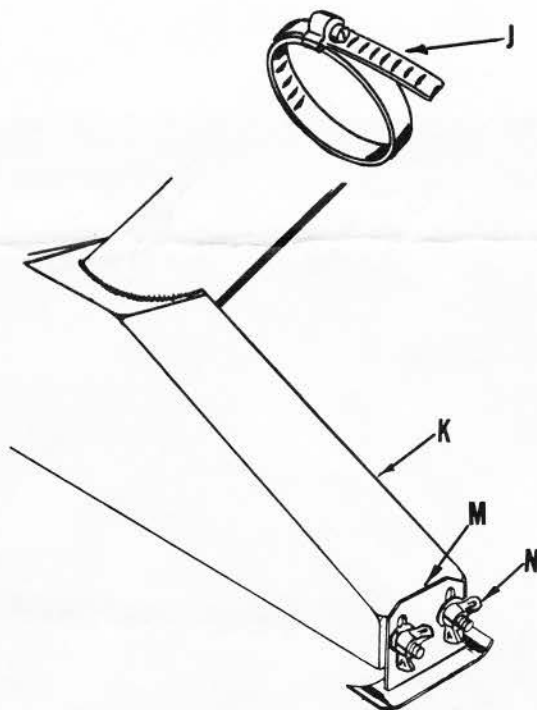


FIG. B

SETTING UP -- CONTINUED



3. Slip open end of hose (H) over end of wand nozzle assembly (I) -- handle end. Slight twisting action of hose will allow it to slip over wand nozzle easier. Secure in place with clamp (J). Tighten clamp securely.



4. When surface nozzle is used, refer to Fig. E, slip wand nozzle (I), into surface nozzle (K). NOTE: Handle (L), Fig. C, on wand nozzle must be up when surface nozzle opening is down and horizontal. Be sure mating parts are snug. Secure in place with clamp (J). Tighten clamp securely.

OPERATING INSTRUCTIONS

5. The SURFACE NOZZLE (K) has runner guides (M) which are adjustable for height for various types of surfaces and types of debris to be picked up. To adjust the height of the runner guides (M), loosen wing nuts (N), on each end of surface nozzle and move runner guides up or down as desired. Check to see that the nozzle height is identical on both ends and tighten wing nuts securely.
6. The WAND NOZZLE (Fig. F) is used around and under shrubs, fences, rock gardens, flower beds, along corners and sides of buildings, etc. The SURFACE NOZZLE (Fig. E) can be used on driveways, parking lots, patios, garage floors, etc.
7. It is not necessary to remove hose at mower chute (B), Fig. A. However, it can be removed to allow for tractor transporting to new areas to be cleaned or for emptying of cart. Operate tractor with MOWER BLADES DISENGAGED.

8. Operate blower engine at full or near full throttle, depending on material and conditions encountered. Check the cart frequently and empty when it is nearly full to prevent the hoses from becoming clogged.
9. When cart is nearly full, stop blower and empty by unhooking rear hold down strap. Raise both rear zippers and fold rear canopy flap up over top. Remove endgate and use a garden rake or fork to pull debris out from cart. Replace endgate, reattach rear canopy flap and pull down zippers. Never leave debris in cart as it may mildew or decay, generating possible spontaneous combustion. If canopy is left on cart for any length of time, raise flap so that air can circulate inside of canopy to keep it dry.

another free manual from www.searstractormanuals.com



FIG. E



FIG. F

SEARS NOZZLE AND WAND KIT FOR VACUUM COLLECTOR -- MODEL NO. 917.251681

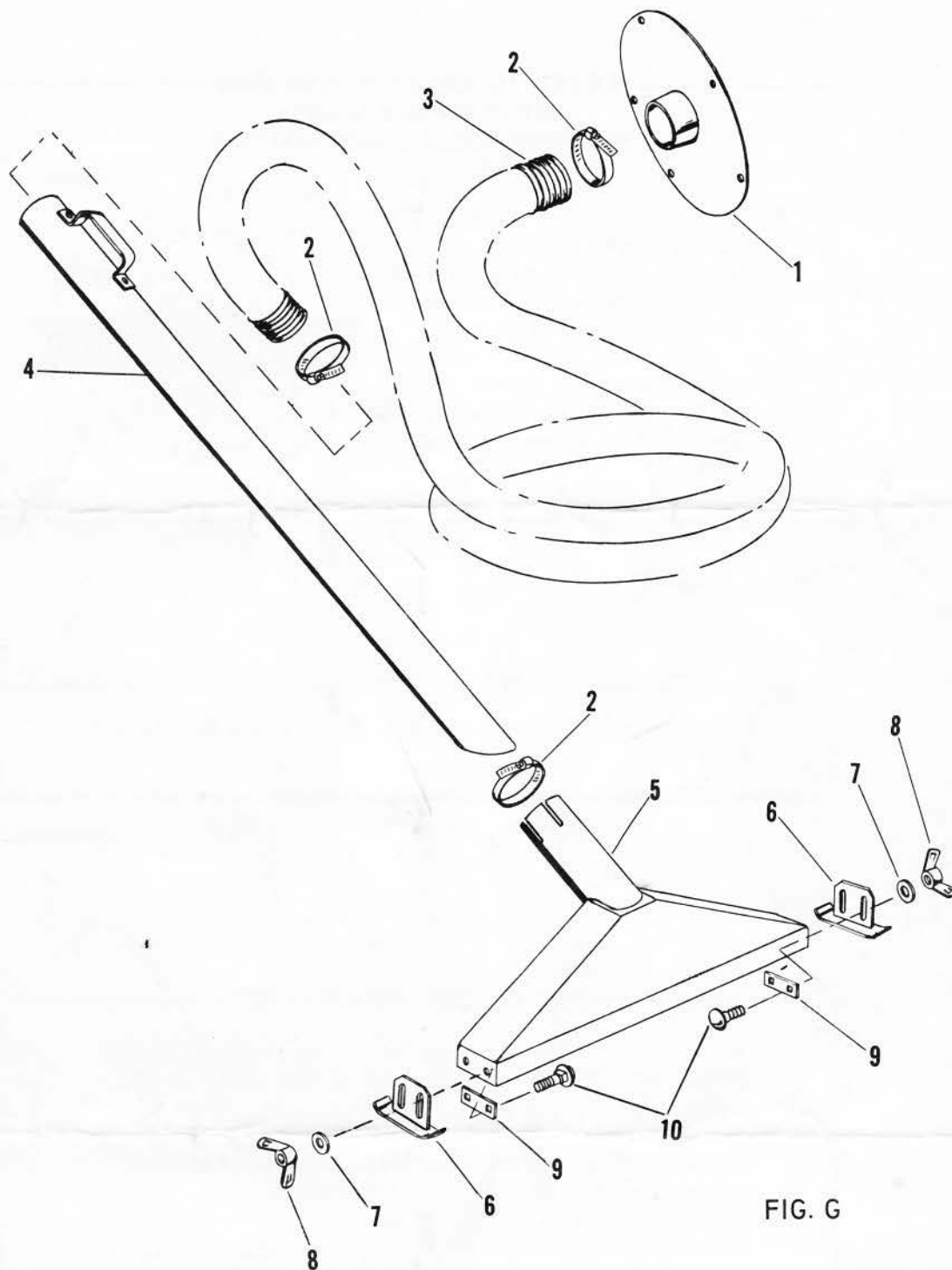


FIG. G

PARTS LIST

KEY NO.	PART NO.	DESCRIPTION	KEY NO.	PART NO.	DESCRIPTION
1	7776H	Inlet Adapter, Blower Housing	7	120391	Washer
2	7778H	Hose Clamp	8	3789H	Wing Nut
3	7777H	Flexible Hose	9	7415H	Back Plate, Runner Guide
4	634A194	Wand Nozzle Assem.	10	126193	Bolt, Rd. Hd., Sq. Neck No. 10-24 UNC x 5/8 Plated
5	634A195	Surface Nozzle Assem. (Incl. Key Nos. 6, 7, 8, 9, and 10)	---	7779H	Instruction and Parts Book
6	7349H	Runner Guide			

COAST TO COAST NATION-WIDE
SERVICE FROM SEARS
FOR YOUR NOZZLE AND WAND KIT

SEARS, ROEBUCK AND CO. and
SIMPSONS-SEARS LIMITED in Can-
ada back up your investment with
quick mechanical service and genu-
ine replacement parts.

If and when you need repairs or ser-
vice, call on us to protect your
investment in this fine piece of e-
quipment.



MODEL NO. 917.251681

The above number is the Model Number of your Nozzle and
Wand Kit.

HOW TO ORDER REPAIR PARTS

All parts listed herein may be ordered through SEARS,
ROEBUCK AND CO. or SIMPSONS-SEARS LIMITED. When
ordering parts by mail from the mail order house which
serves the territory in which you live, selling prices will
be furnished on request or parts will be shipped at prevail-
ing prices and you will be billed accordingly.

WHEN ORDERING REPAIR PARTS, ALWAYS GIVE THE
FOLLOWING INFORMATION AS SHOWN IN THIS LIST:

1. The PART NUMBER
2. The PART NAME
3. The MODEL NUMBER-917.251681
4. The NAME of Item-Nozzle and Wand
Kit

SEARS, ROEBUCK AND CO.-U.S.A.
SIMPSONS-SEARS LIMITED, CANADA