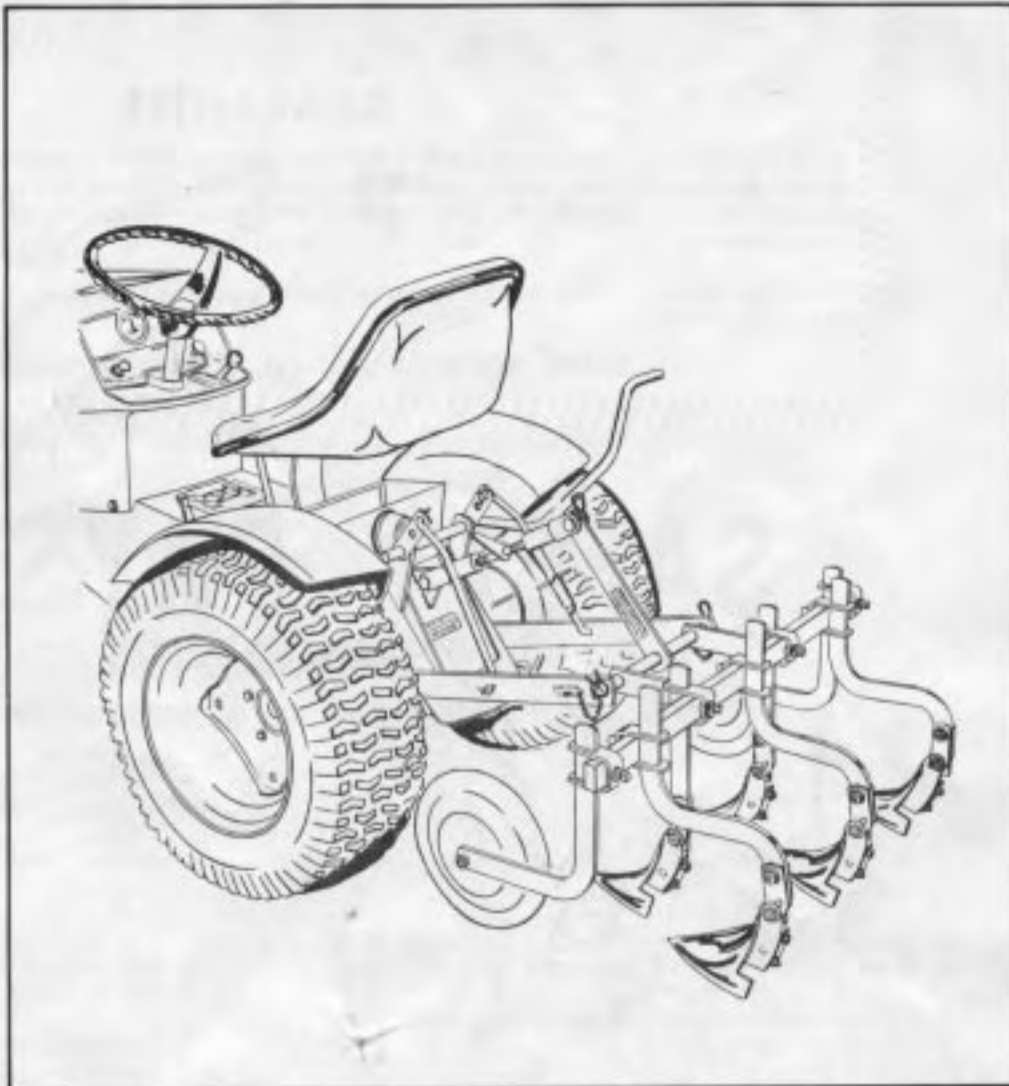


**Sears**  
**owners**  
**manual**

MODEL NO.  
917.252240  
917.252250

**CAUTION:**  
Read Rules for  
Safe Operation  
and Instructions  
Carefully



## CULTIVATOR

- **Assembly**
- **Operation**
- **Maintenance**
- **Repair Parts**

Sears, Roebuck and Co., Chicago, Ill. 60684 U.S.A.  
and Simpsons Sears Limited, Toronto

## GUARANTEE

Your Cultivator is guaranteed for one full year. If any defect in material or workmanship should appear during this time, simply contact our nearest Sears store or service center throughout the United States or Canada. We will make all necessary repairs, including parts and labor, at no charge to you.

If the Cultivator is used for commercial or rental purposes this guarantee is limited to thirty days from date of sale.

SEARS, ROEBUCK AND CO. - SIMPSON-SEARS LTD.

# SAFETY PAYS OFF

## IMPORTANT

### rules for safe operation

1. Refer to tractor book for "Rules For Safe Operation".
2. Do not allow children to operate Cultivator or to come into contact with Cultivator.
3. Do not permit anyone to operate Cultivator without proper instruction.
4. Drive slow when Cultivator is in transport position especially over rough terrain or on slopes of more than a 15 degree slope.
5. Clear area of rocks, sticks, wire, bottles, etc. before attempting to use Cultivator.
6. Always shut off tractor engine to make any adjustments to Cultivator or to clear debris from Cultivator.
7. Be carefull when backing. People or obstacles may be hit.
8. Remove Cultivator from tractor, before making any repairs on Cultivator.
9. Before leaving tractor seat, stop engine, shift to neutral, set parking brake and lower Cultivator.
10. Keep all bolts and nuts tight. Clean and grease jweeps or shovels after each use.

# assembly

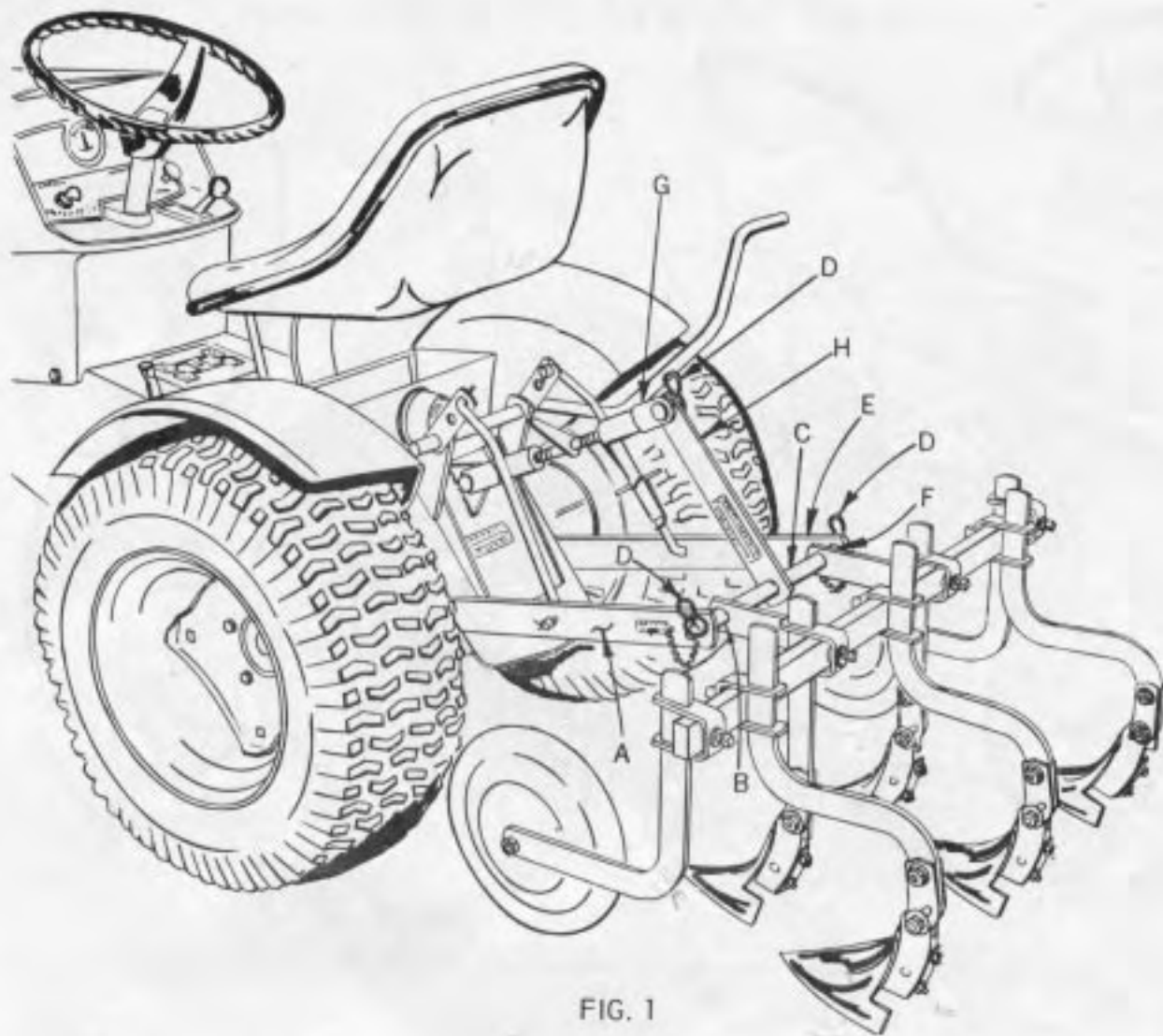


FIG. 1

A letter in parentheses in the following instructions refer to an arrow in an adjoining Figure (illustration), unless otherwise stated. When R.H. (Right Hand), or L.H. (Left Hand), is used, it should be understood to mean from a position behind and facing the Cultivator or direction of travel.

## instructions for assembling cultivator frame to tractor

NOTE: A Three Point Hitch is necessary for mounting Cultivator to tractor. Refer to Three Point Hitch Owners Manual at this time for assembling hitch to tractor.

1. Slip L.H. hitch bar and bushing (A), over L.H. pin (B), of Cultivator frame (C), as shown. Secure with retainer spring (D).
2. Slip R.H. hitch bar and bushing (E), over R.H. pin (F), of Cultivator frame (C). Secure with retainer spring (D).
3. Assemble clevis (G), to upper hitch bar (H). Secure with clevis pin and retainer spring (D).
4. NOTE: Check tires to see that they are properly inflated. Refer to maintenance decal underneath tractor hood. It is important that assembly be done on level ground. An ideal situation would be a cement driveway, cement platform, etc.
5. For general field cultivation before planting, refer to page 4.
6. It is recommended that two settings be used to cultivate your land after planting. Straddle Row Cultivating (Fig. 2), will clean out the weeds next to your plants. Between Row Cultivating (Fig. 3), will clean out the weeds in the center of the rows. It is possible that you will want to Cultivate twice with the Straddle Row setting before changing your Cultivator to the Between Row setting.

# instructions for straddle row setting

HANDLES ROWS FROM 20 INCHES TO 30 INCHES APART

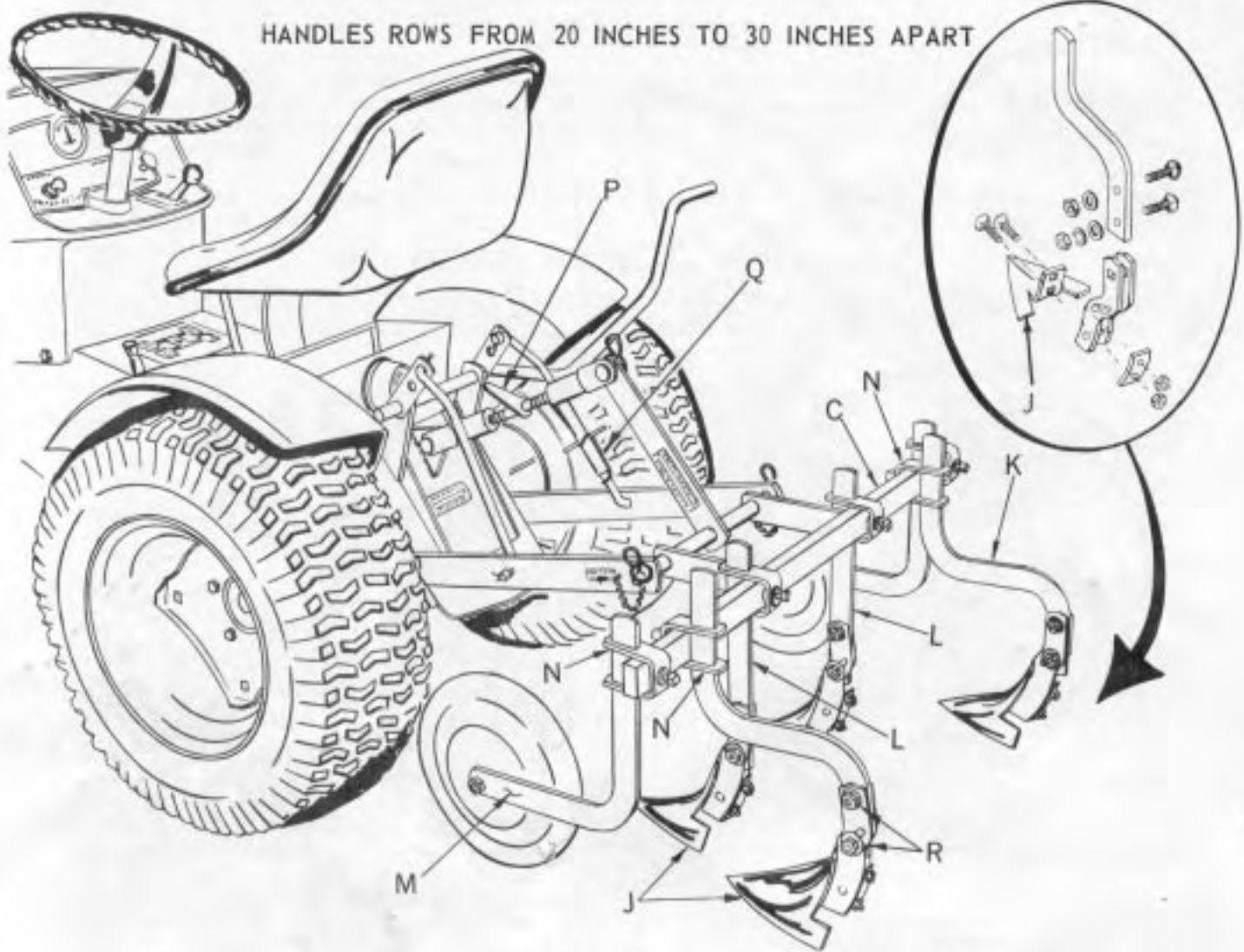


FIG. 2



1. Assemble sweeps or shovels (J), to shank assemblies (K and L), as shown in inset above. Use bolts, washer plates and hex nuts shipped in plastic bag. Tighten nuts securely.
2. Lift three point hitch to transport (raised position). Assemble L.H. gauge wheel and shank assembly (M), to L.H. end of Cultivator frame (C), with shank clamp (N), and set screw. NOTE: Generally gauge wheel and shank assembly will be positioned approximately 1 inch in from end of frame. Adjust so that shank will extend approximately  $1\frac{1}{2}$  to 2 inches above shank clamp. Shank clamp and set screw found in plastic bag. Tighten set screw securely.
3. Assemble R.H. gauge wheel and shank assembly (O), to R.H. end of Cultivator in same manner as L.H. gauge wheel and shank assembly.
4. Place a 1 inch block under each gauge wheel and lower Cultivator. Assemble offset shanks (K), with sweeps or shovels attached to Cultivator frame (C). Secure with shank clamps (N), and set screws. Exact position of shank assemblies will vary with width of rows or plants to be cultivated. Level Cultivator frame from side to side and front to back as follows: There are turnbuckles on the linkage of the three point hitch for leveling the Cultivator. The turnbuckle (Q), on the R.H. lift link, is used for leveling the Cultivator from side to side. Adjust R.H. lift link so that the points of the sweeps or shovels touch level surface at the same time. Rotate turnbuckle from left to right to lengthen linkage. Sweeps or shovels must have about a  $\frac{3}{8}$  inch pitch or suck and all points must touch level surface at same time. Pitch or suck refers to the dimension shown in inset of Fig. 2. Pitch or suck adjustment can be made in the following manner: Loosen the two nuts (R), on each shank. Move sweep or shovel forward or backward to obtain the proper pitch or suck. Retighten all nuts securely. Position shanks on Cultivator frame as desired. Tighten set screws in shank clamps (N), securely.
5. Position straight shank assemblies (L), to Cultivator frame (C), as shown. Adjust for pitch or suck as outlined above. Tighten set screws securely.

## instructions for between row setting

HANDLES ROWS 36 INCH OR WIDER

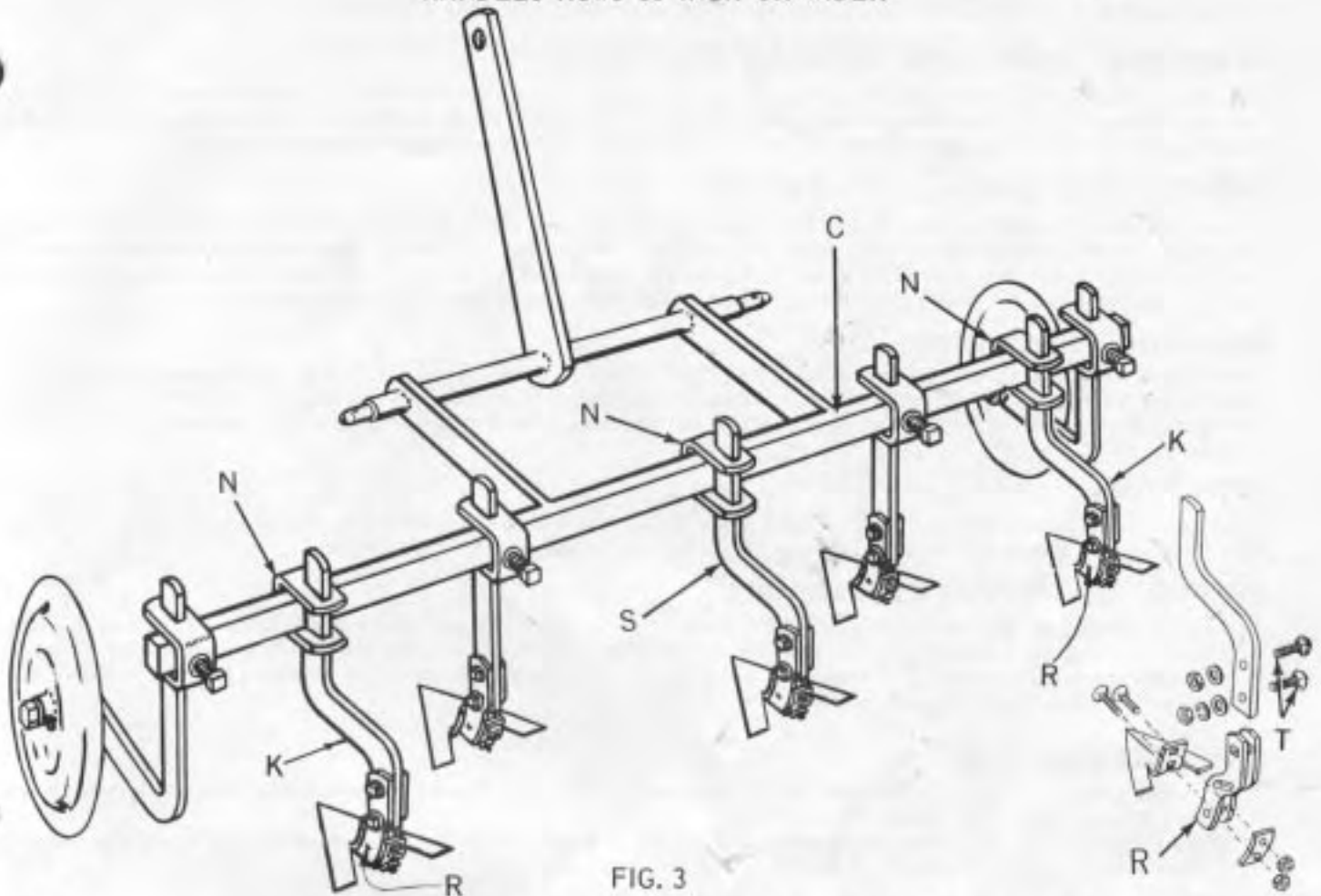


FIG. 3

1. Loosen set screw in shank clamps (N), of offset shanks (K). Remove shank with sweep or shovel attached, from shank clamps (N).
2. Remove shank side assembly (R), by removing the two bolts (T). Reposition shank side assembly (R), as shown and tighten. Reassemble offset shanks (K), in shank clamps (N), as shown.
3. Position and secure shank clamp (N), with offset shank (S), and sweep or shovel attached, to center of Cultivator frame (C).
4. Be sure all sweeps or shovels touch level surface at the same time. If not, adjust shanks up or down in shank clamps. Also, refer to "Leveling Cultivator", page 5. Adjust gauge wheel height to meet your requirements for proper penetration of sweeps or shovels.
5. Tighten all set screws in shank clamps securely.

## general field cultivation before planting

Only early, frequent and persistent cultivation will kill most weeds. For destroying most of these weeds, we suggest the Cultivator setting as shown in Fig. 3. In regions of low average rainfall it not only kills weeds quickly, but leaves a roughened surface that holds snow, absorbs moisture, and effectively retards evaporation. Under most conditions, even though the surface soil may be quite dry and pulverized, the sweeps or shovels dig deep enough to bring clods of dirt to the surface. The valuable loose top soil sifts down below the clods where there is much less possibility of its being carried away by wind or water. This means of cultivation will do a job similar to a spring harrow and is very effective in preparing seedbeds. The lifting action of the sweeps or shovels is particularly beneficial in a late, cold spring, breaking clods and stirring the soil after discing, so that air can circulate throughout the seedbed.

# operating

ALWAYS LIFT CULTIVATOR OUT OF THE GROUND WHEN MAKING TURNS.

## weeding hoes and shanks (FIG. 5 BELOW)

For use on the first cultivation or for any small tender plants. They permit cultivating close to small plants without covering them with soil. Attach by removing front sweep or shovel and shank and replace with weeding hoe and shank. May also be used without sweeps or shovels or in more than one pair at any position on the frame bar.

## hillers and shanks (FIG. 4 BELOW)

Hillers are usually used in place of the front sweep or shovel and shank for hilling any kind of plant. Attach by removing the front sweep or shovel and shank and replacing with hiller and shank. They may be moved to any desired position on the frame bar and up or down to the height desired. They may also be used with or without sweeps or shovels. By reversing the hillers and setting them together, they may be used as furrow openers.

## leveling cultivator

There are turnbuckles on the linkage of the Three Point Hitch for leveling the Cultivator. The turnbuckle (Q, Fig. 2, page 3), on the R.H. lift link, is used for leveling the Cultivator from side to side. Adjust R.H. lift link so that the points of the sweeps or shovels touch level surface at the same time. Rotate turnbuckle from left to right to lengthen linkage.

## top link

When Cultivating, adjust the top link (P, Fig. 2, page 3), so that the frame of the Cultivator is parallel with the ground from front to rear. Rotate turnbuckle to the right (clockwise), to lengthen the top linkage.

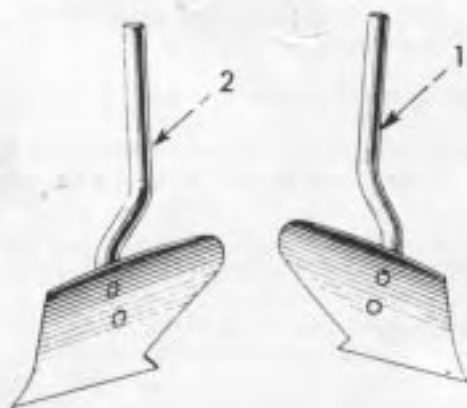
## sweep or shovel adjustment

Sweeps or shovels must have about a 3/8 inch pitch or suck. Pitch or suck refers to the dimension shown in inset of Fig. 2. Pitch or suck adjustment can be made in the following manner: Loosen the two nuts (key number 22, page 6), on each shank side assembly (key number 15, page 6). Move sweep or shovel forward or backward to obtain the proper pitch or suck. Retighten nuts securely.

## maintenance

1. At least every four hours, tighten all bolts, nuts and set screws. Grease gauge wheels by means of one grease fitting in each wheel (key number 12, page 6).
2. When Cultivator is to be stored for any length of time, it should be thoroughly cleaned and all shovels or sweeps, hillers or hoes given a good coat of grease or rust preventative.

## optional equipment



HILLERS  
FIG. 4

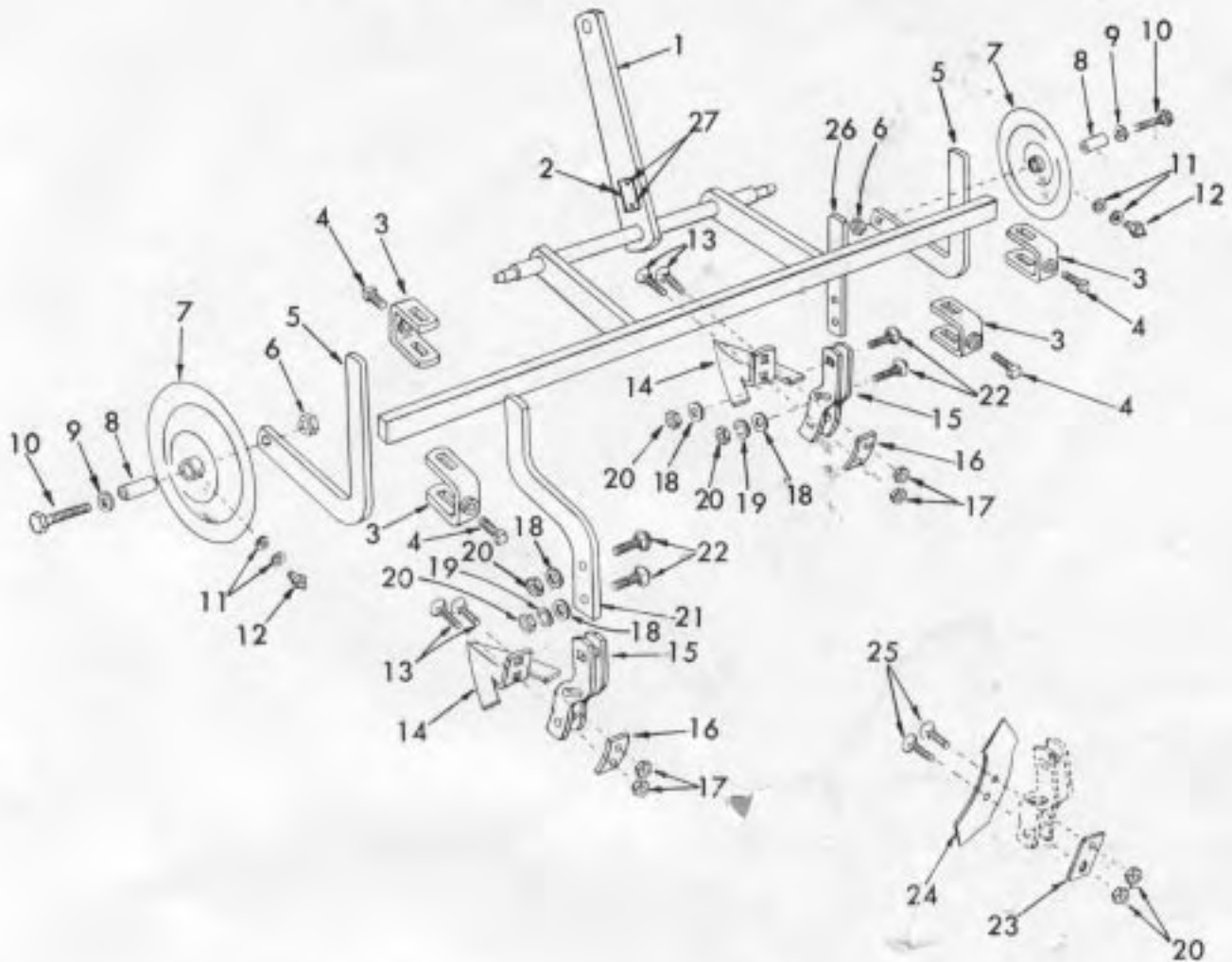


WEEDING HOES  
FIG. 5

KEY NO.	PART NO.	DESCRIPTION
1	606A118	Shank and Hiller - L.H.
2	606A119	Shank and Hiller - R.H.
3	606A116	Shank and Hoe - L.H.
4	606A117	Shank and Hoe - R.H.

# repair parts

CULTIVATOR WITH SWEEPS--MODEL NUMBER 917.252240  
 CULTIVATOR WITH SHOVELS--MODEL NUMBER 917.252250



KEY NO.	PART NO.	DESCRIPTION	KEY NO.	PART NO.	DESCRIPTION
1	606A46	Frame	15	575PA272	Shank Side Assembly
2		Model Number Plate (For Model No. 917.252240)	16	361H	Washer Plate
2		Model Number Plate (For Model No. 917.252250)	17	501P	• Hex Nut 3/8-16
3	606A121	Shank Clamp with Set Screw (Includes Key No. 4)	18	1522P	Washer 1/2 x 1 1/4 x 14 Ga.
4	4521P	Set Screw, Sq. Hd. Oval Point 1/2-20 x 1	19	1001P	• Lock Washer 7/16
5	1335H	Wheel Shank	20	500P	• Hex Nut 7/16-14
6	502P	• Hex Nut 1/2-13	21	1334H	Shank, Offset
7	575PA35	Gauge Wheel	22	29P	Sq. Neck Carriage Bolt 7/16-14 x 1 1/2 Short Shoulder
8	1337H	Wheel Bearing	23	8149M	Washer Plate
9	1500P	• Washer 17/32 x 1-1/16 x 13 Ga.	24	8153M	Double Point Shovel
10	3048P	Hex Bolt 1/2-13 x 3 1/2	25	33P	Sq. Neck Plow Bolt 7/16-14 x 2 1/2
11	1899H	Washer, Flat	26	1333H	Shank, Straight
12	6855M	Grease Fitting	27	2224M	Drive Stud (For Model Number Plate)
13	31P	Sq. Neck Plow Bolt 3/8-16 x 2 1/4	---	3843R	Owners Manual
14	365H	Sweep			

another free manual from www.searstractormanuals.com

# Sears owners manual

## How to Order Repair Parts

The Model Number will be found on a plate attached to the Frame Hitch Bar. Always mention the Model Number when requesting service or repair parts for your Cultivator.

All parts listed herein may be ordered from any **SEARS, ROEBUCK AND CO.** or **SIMPSONS-SEARS LIMITED** retail or catalog store.

**WHEN ORDERING REPAIR PARTS, ALWAYS GIVE THE FOLLOWING INFORMATION:**

1. PART NUMBER
2. MODEL NUMBER
3. PART DESCRIPTION
4. NAME OF MERCHANDISE

If the parts you need are not stocked locally, your order will be electronically transmitted to a Sears Repair Parts Distribution Center for "expedited handling".



When you buy merchandise from Sears you get an extra something that nobody else can offer . . . Sears Service.

Sears, Roebuck and Co., Chicago, Ill. 60684 U.S.A.  
and Simpsons Sears Limited, Toronto