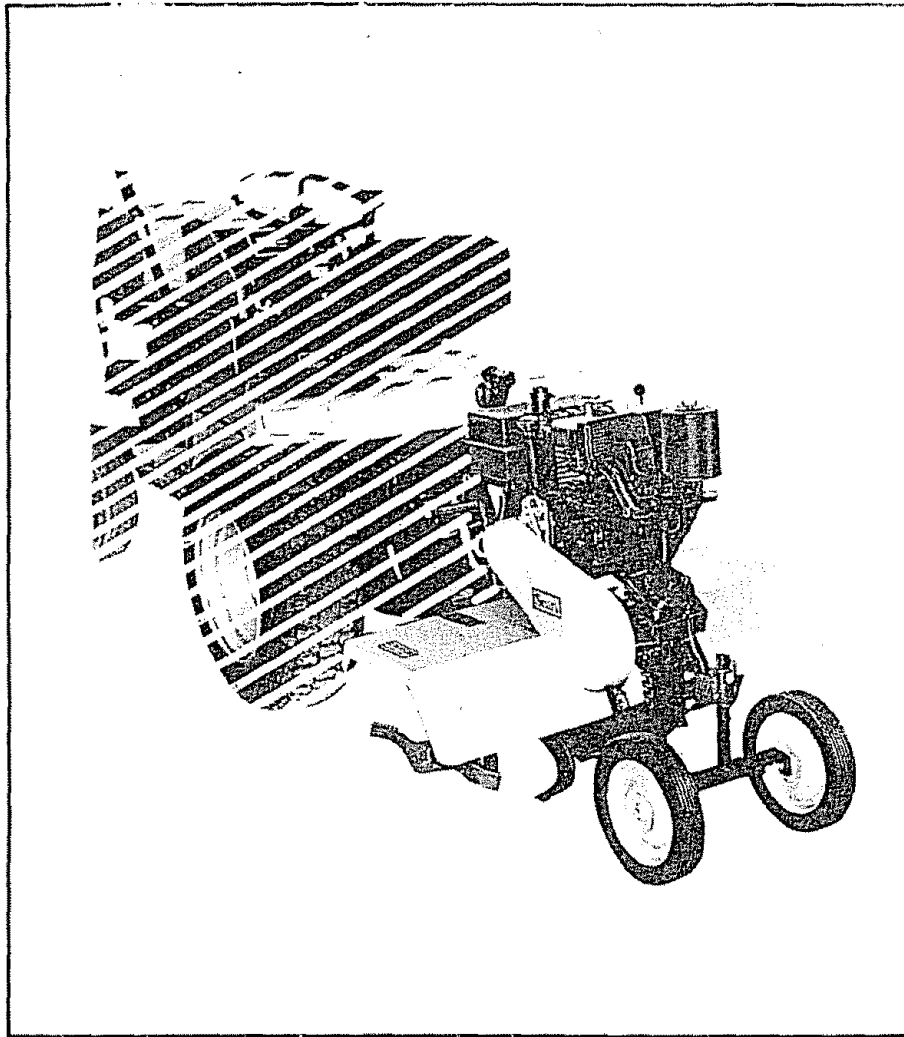


SEARS

**OWNERS
MANUAL**

**MODEL NO.
917.252492**

**Caution:
Read Rules for
Safe Operation
and Instructions
Carefully**



**8 H.P.
30'' SLEEVE HITCH
TILLER ATTACHMENT**

**Assembly
Installation
Operation
Repair Parts**

Sears, Roebuck and Co., Chicago, IL 60684 U.S.A.

CONGRATULATIONS on your purchase of a Sears 8 H.P. Tiller Attachment. It has been designed, engineered and manufactured to give you the best possible dependability and performance. Should you experience any problem you cannot easily remedy, please contact your nearest Sears Service Department. They have competent, well-trained technicians and the proper tools to service or repair this unit.

Please read and retain this manual. The instructions will enable you to assemble, operate and maintain your Tiller properly. Always observe the "RULES FOR SAFE OPERATION".

MODEL
NUMBER _____
SERIAL
NUMBER _____

THE MODEL AND SERIAL NUMBERS WILL BE FOUND ON THE MODEL PLATE ATTACHED TO THE RIGHT HAND SIDE OF THE TRANSMISSION (FIG. 1).

YOU SHOULD RECORD BOTH MODEL AND SERIAL NUMBERS AND KEEP IN A SAFE PLACE FOR FUTURE REFERENCE.

WARRANTY LIMITED ONE YEAR WARRANTY

For one year from the date of purchase, when this attachment is maintained, lubricated, and tuned up according to the operating and maintenance instructions in the owner's manual, Sears will repair free of charge any defect in material or workmanship.

This warranty excludes tine(s), spark plug, air cleaner and belt(s) which are expendable parts and become worn during normal use.

If the tractor attachment is used for commercial or rental purposes, this warranty applies for only thirty days from the date of purchase.

WARRANTY SERVICE IS AVAILABLE BY CONTACTING THE NEAREST SEARS SERVICE CENTER/DEPARTMENT IN THE UNITED STATES. This warranty applies only while this product is in use in the United States.

This warranty gives you specific legal rights, and you may also have other rights which vary from state to state.

Sears, Roebuck and Co., D/698-731A, Sears Tower, Chicago, IL 60684

TABLE OF CONTENTS

WARRANTY	1
RULES FOR SAFE OPERATION	BELOW
ASSEMBLY INSTRUCTIONS	4
OPERATION INSTRUCTIONS	5
MAINTENANCE INSTRUCTIONS.....	6
REPAIR PARTS	10

RULES FOR SAFE OPERATION

WARNING: This unit is equipped with an internal combustion engine and should not be used on or near any unimproved forest-covered, brush-covered or grass-covered land unless the engine's exhaust system is equipped with a spark arrester meeting applicable local or state laws (if any). If a spark arrester is used, it should be maintained in effective working order by the operator.

In the State of California the above is required by law (Section 4442 of the California Public Resources Code). Other states may have similar laws. Federal laws apply on federal lands. See your Sears Authorized Service Center for spark arrester. Refer to page 17.

1. Know the controls and how to stop quickly. **READ THE OWNER'S MANUAL.**
2. Do not allow children to operate your tractor and Tiller Attachment. Do not allow adults to operate them without proper instruction.
3. Keep children and pets a safe distance away.
4. Clear work area of objects which might be caught in tines.
5. Before starting the engine, be sure Tiller clutch is disengaged and tines are clear.
6. Make sure of your footing and stand clear of tines when starting engine.
7. Do not run engine indoors because the engine exhaust fumes contain carbon monoxide, which is a tasteless, odorless, deadly poison.
8. Check fuel supply before each use. Never remove the gas cap or fill the gasoline tank when engine is running or while it is hot. When filling the fuel tank, leave space for expansion; do not fill it to the brim and keep in mind that the heat of the sun can cause the gasoline to expand. Wipe off any spilled gasoline before starting the engine. Remember, gasoline is highly flammable and must always be handled with extreme care.
9. Stop tractor, disengage Tiller Attachment clutch and stop Tiller and tractor engines. Shift tractor to neutral position, set parking brake, and remove ignition key before leaving operator's position.
10. Never stand near tines or work on tines when engine is running.
11. Watch for traffic when crossing or near roadways.
12. Always disengage Tiller clutch, and stop engine when traveling to and from field or when not tilling.
13. Lift Tiller Attachment out of the ground when turning corners.
14. Do not put tractor in reverse gear while Tiller is in the ground.
15. Keep all nuts, bolts and screws tight in order to be sure that the tractor and attachment are in safe working condition. Be sure the brake and all powered attachment controls are always in proper adjustment and repair. Check the attachment and engine mounting bolts at frequent intervals for proper tightness. Before performing any maintenance, always disengage the power to attachment, set the parking brake, shift into neutral, shut off the engine, make absolutely sure the Tiller Attachment and all moving parts have completely stopped, remove ignition key, disconnect the spark plug wire from the spark plug, and keep it away from the plug to prevent injury or accidental starting. The only exception to this rule is carburetor adjustment.
16. Keep the engine free from accumulations of grass, leaves or excessive grease, as these accumulations are combustible and could result in a fire. Always keep your Tiller Attachment in good operating condition and make sure that all shields, guard plates and all other protective devices are in place. Give your Tiller Attachment the regular maintenance it needs and have a competent serviceman make a thorough inspection of it at least once a year.



LOOK FOR THIS SYMBOL TO POINT OUT IMPORTANT SAFETY PRECAUTIONS. IT MEANS -- ATTENTION! BECOME ALERT! YOUR SAFETY IS INVOLVED.

ASSEMBLY


When R.H. (Right Hand) or L.H. (Left Hand) are used, it means from a position behind the steering wheel as if you were seated on the tractor seat and facing forward.

NOTE: REMOVE MOWER DECK BEFORE MOUNTING TILLER ATTACHMENT TO TRACTOR.

Remove Tiller and bag of parts from carton.

NOTE: IF YOU ARE MOUNTING YOUR TILLER TO A SLEEVE HITCH, YOU MAY DISCARD THE BAG OF PARTS. IF YOU MOUNT YOUR NEW TILLER TO A MANUAL 3 - POINT HITCH, YOU WILL NEED THE BAG OF PARTS. SEE YOUR SLEEVE/3 - POINT HITCH ADAPTER OWNERS MANUAL FOR INSTRUCTIONS TO INSTALL THESE PARTS

1. Place Tiller on level ground so that Tractor can be backed up to it for assembly.



TILLER WILL BE HEAVY WHEN PERFORMING THE FOLLOWING STEP.

2. Adjust Tiller Gauge Wheels so that engine is level (Fig. 1).
 a. Remove Retainer Spring from drilled Rivet.
 b. Remove Rivet and adjust Gauge Wheels up or down as required to level Tiller. Replace Rivet and Retainer Spring.

NOTE: BE CAREFUL NOT TO ALLOW DIRT TO ENTER THE ENGINE OR TRANSMISSION WHEN CHECKING OR ADDING OIL OR FUEL.

3. **IMPORTANT:** Check oil level in Tiller Transmission. Refer to Fig. 1 for location of Oil Fill Plug. The Transmission was filled at the factory and oil should be to level of Filler Plug Hole. Tiller must be level. If oil needs to be added Tiller can be laid on its side to fill Transmission. Use S.A.E. No. 30 Motor Oil (SC, SD or SE). Replace Oil Fill Plug.

4. **IMPORTANT:** ENGINE IS SHIPPED WITHOUT OIL. Fill Engine Crankcase with S.A.E. No. 30 Motor Oil (SC, SD or SE). Capacity is 1 - 1/2 pints (24 ounces). Refer to Fig. 1 - Inset for Oil Fill Tube location.

ATTACHING TILLER TO TRACTOR

1. Install one or more wheel weights to each rear wheel to insure good traction when operating.

Tire chains can be used in place of, or in addition to, wheel weights.

2. Install two front end weights to the front of the tractor. This will aid steering control.

3. Check tire pressure in Tires. See tractor owners manual.

4. Assemble Sleeve Hitch to Tractor. See Hitch owners manual.

5. Adjust Stabilizer Bolts so that ends are about flush with rear of Hitch Bail (Fig. 2 - Inset). Leave Nuts loose.

6. Lower Hitch Assembly and slide Hitch Yoke of Tiller (Fig. 2 - Inset) over Hitch Tube of Sleeve Hitch so that the Hitch Pin Holes line up.

7. Insert Hitch Pin until it extends from bottom of Hitch Yoke (Fig. 2 - Inset). Insert Retainer Spring into Hitch Pin.

8. Tighten both Stabilizer Bolts against the Hitch Yoke until there is no looseness at the hitch point. (The Frame Assembly does not swing sideways relative to the Hitch Bail (Fig. 2). Be sure the Frame Assembly is perpendicular (square) to the centerline (direction of travel) of the Tractor. This can be determined by measuring the distance between the edge of Tine Shield (Fig. 2) and the back of the rear tires. This distance should be the same on the R.H. and L.H. sides within 1/2 inch. Securely tighten the Nuts on the Stabilizer Bolts.

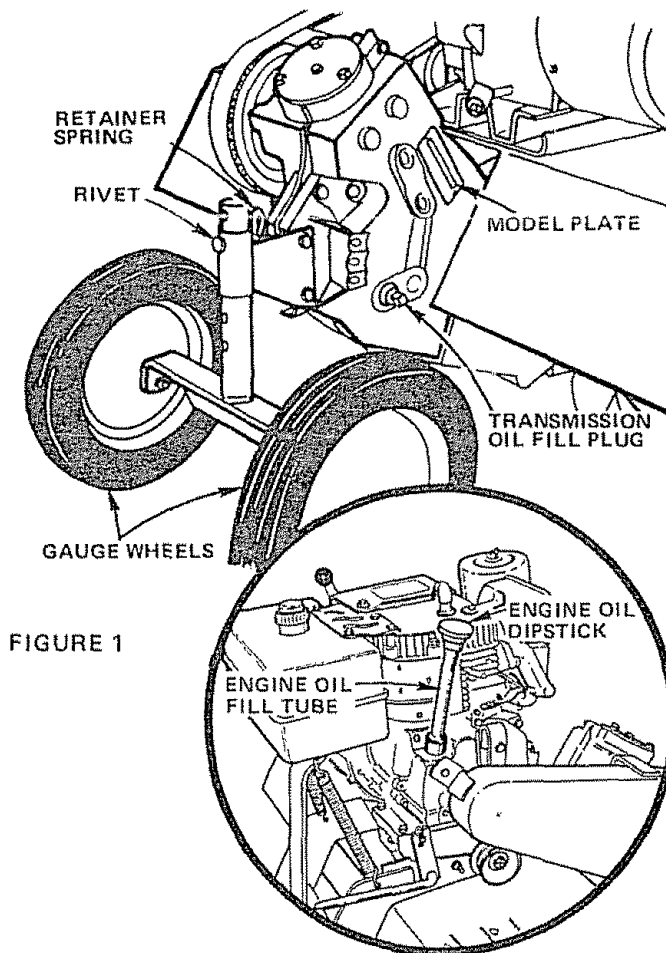


FIGURE 1

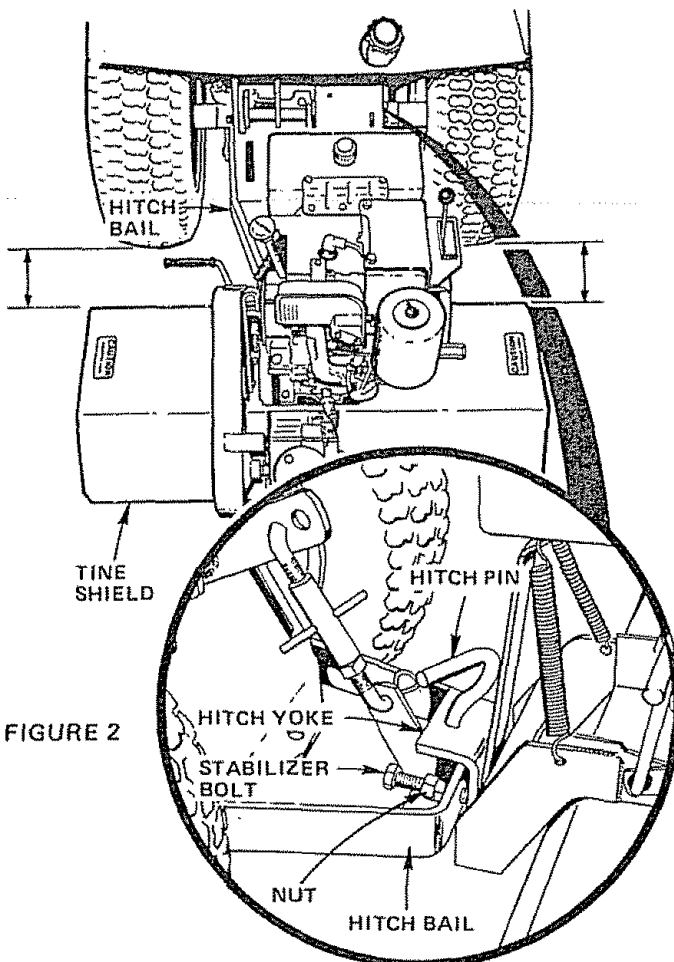


FIGURE 2

NOTE: THE STABILIZER BOLTS SHOULD BE LOOSENED BEFORE REMOVING THE TILLER FROM THE TRACTOR. THIS WILL MAKE IT EASIER TO REMOVE THE HITCH PIN AND TO LINE UP HITCH PIN HOLES WHEN INSTALLING ANOTHER ATTACHMENT. IF TRACTOR IS TO BE USED WITHOUT A REAR ATTACHMENT, THE STABILIZER BOLTS SHOULD BE SECURED BY TIGHTENING THE NUTS (FIG. 2 - INSET).

OPERATION



READ THE "RULES FOR SAFE OPERATION" CAREFULLY BEFORE OPERATING YOUR TILLER. THE ENGINE HAS BEEN SHIPPED WITHOUT OIL.

1. Be sure that you have complied with steps 3 and 4 at top of page 4.
2. Fill Fuel Tank with clean, fresh, unleaded gasoline. Capacity is 1 gallon. WARNING: DO NOT USE GASOHOL.
3. RAISE TILLER:
 - a. MANUAL HITCH - Pull rearward on Lift Control Lever (Fig. 3).
 - b. ELECTRIC ASSIST - With Ignition Key in "ON" position, move Power Assist Switch located on dashboard to the "UP" position.
4. Disengage Tine Clutch Lever (Fig. 4).
5. Move Tiller Engine Choke Lever to "FULL CHOKE" (Fig. 5 - Inset).
6. Place Tiller Engine Throttle Lever to about 1/2 throttle (Fig. 5).
7. Grasp Starter Handle (Fig. 5), pull cord slowly until starter clutch engages, then pull slowly until resistance of compression is felt. Allow starter cord to recoil and again pull out slowly until starter clutch engages. Pull sharply. Do not allow rope to snap back. Rewind slowly keeping hold of the starter handle at all times.
8. After engine starts, move Choke Lever to "NO CHOKE" position as engine warms up (Fig. 5 - Inset).
9. Move Tiller Engine Throttle Lever to "FAST" position.



STAND CLEAR OF ROTATING TINES.

10. Engage Tine Clutch Lever (lever pulled up - Fig. 4). Disengage and engage several times to check the clutching action of the belt. If it is not clutching properly, refer to Belt Adjustment page 9.
11. To stop Tiller and engine, disengage Tine Clutch Lever (Fig. 4) and move Throttle Lever to "STOP" position (Fig. 5).

TILLING

The most efficient tilling is obtained when Tiller Engine is operated at full throttle. When Tiller Engine is lightly loaded, raise Gauge Wheels to increase tilling depth. If Engine seems to be overloaded or stalls out, lower Gauge Wheels for shallower tilling.

Operate Tiller Engine at full throttle and operate tractor in slowest forward speed, with tractor engine at idle speed or just above idle. You will soon learn the proper combination of tilling depth and speed for good tillage.

Soil conditions will determine how deep Tiller can penetrate on the first pass. In extremely hard ground, several passes may be necessary to till to a depth of 5 inches while in soft ground, Tiller may penetrate to a depth of 5 inches in the first pass.

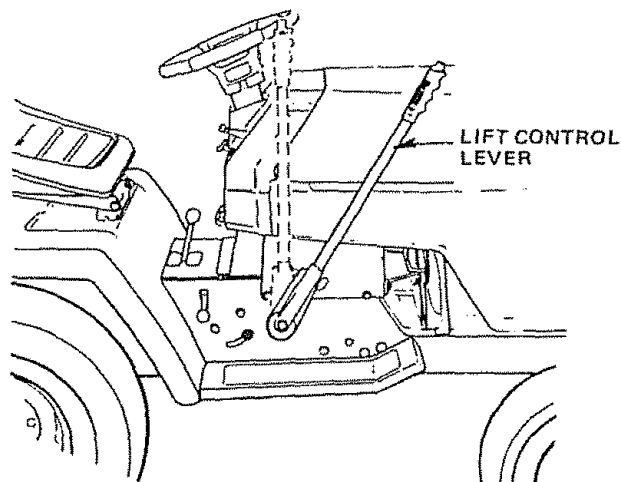


FIGURE 3

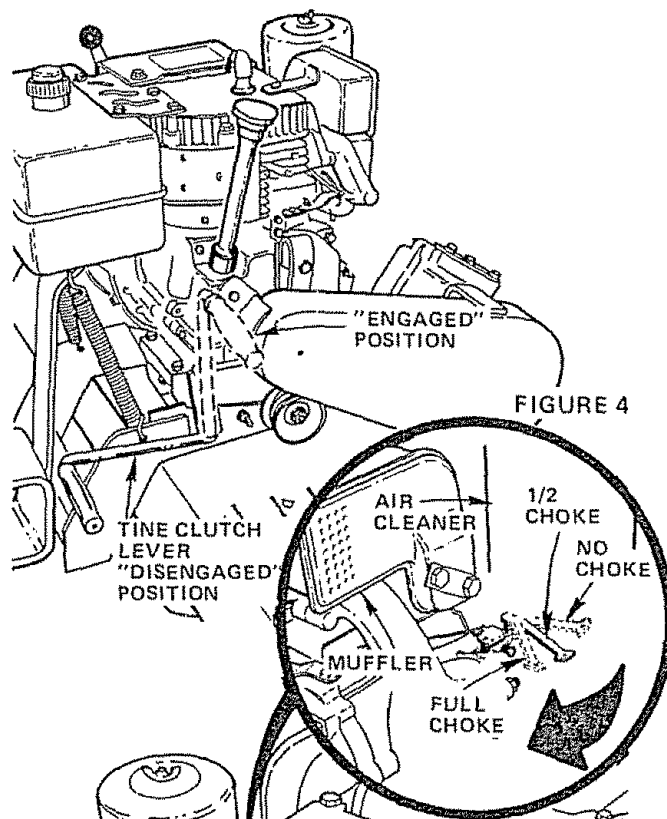


FIGURE 4

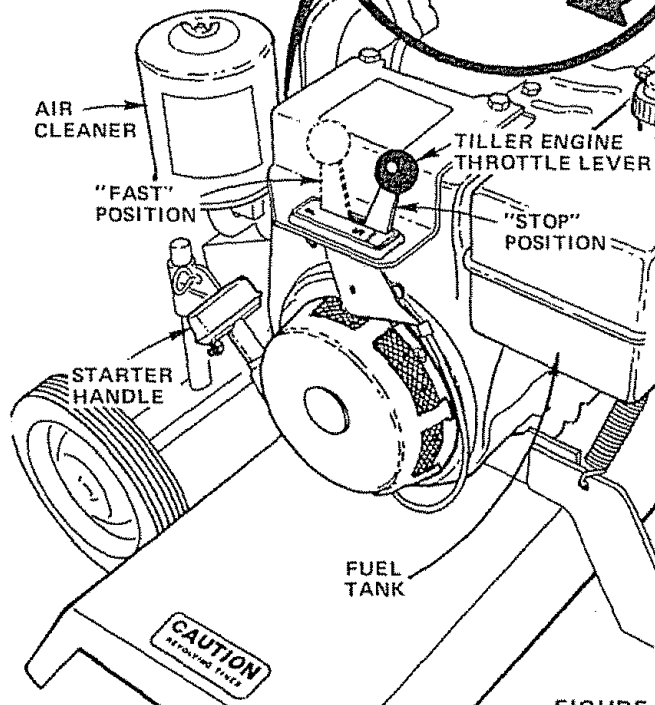


FIGURE 5

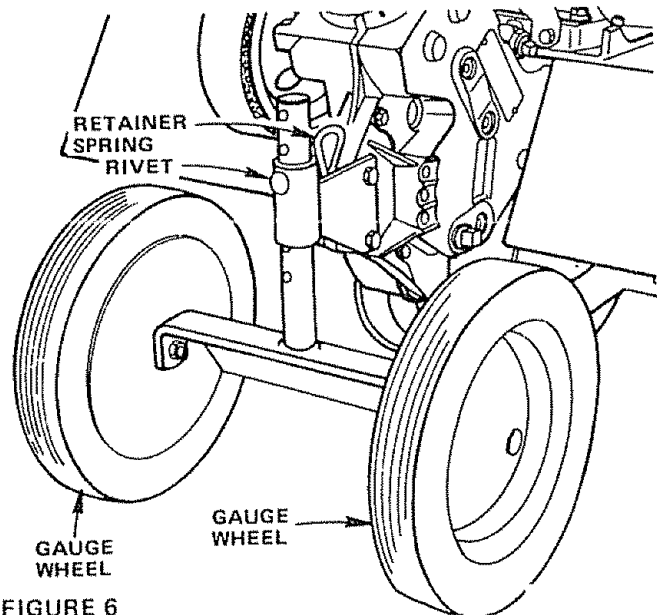


FIGURE 6

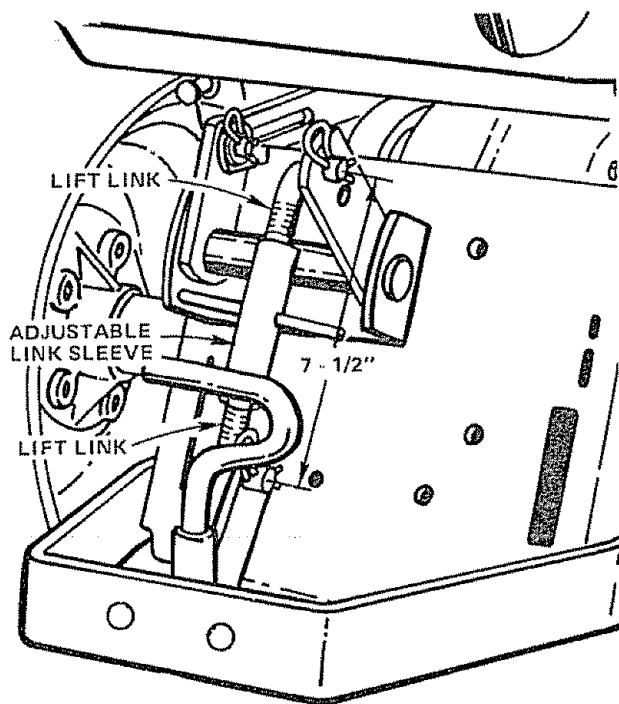


FIGURE 7

TILLING DEPTH

1. The tilling depth is controlled by the Gauge Wheels (Fig. 6) and to some extent by the Adjustable Link Sleeve (Fig. 7). When deeper tilling is required, the Gauge Wheels must be raised. Wheels must be lowered for shallower tilling. Remove Retainer Spring from Drilled Rivet (Fig. 6). Adjust Gauge Wheels up or down as desired and replace Rivet and Retainer Spring.

NOTE: EACH HOLE WILL RAISE OR LOWER GAUGE WHEELS 1 INCH.

2. Tiller can be leveled from front to rear by turning Adjustable Link Sleeve (Fig. 7). The Adjustable Link Sleeve also controls tilling depth. Shortening the Adjustable Link Sleeve and Lift Links will decrease tilling depth and lengthening will increase tilling depth.

CULTIVATING

Set Gauge Wheels so that Tiller will penetrate soil to a depth of 2 to 3 inches. Place Rivet in the second or third hole from the bottom to attain this depth. The Tiller Engine should be run at full throttle except when cultivating small plants, a slower engine speed is necessary to prevent burying the plants.

OPERATION DO'S AND DON'TS

Always disengage Tine Clutch Lever (Fig. 4) and stop engine when traveling to or from field (garden) or when not tilling.

Lift Tiller out of the ground when turning corners.

Do not put tractor in reverse gear while Tiller is in the ground.

Before leaving tractor seat, stop tractor, shift tractor to "NEUTRAL" position, throttle down and stop tractor engine, set Parking Brake, remove Ignition Key and then disengage Tine Clutch Lever, throttle down and stop Tiller Engine, lower Tiller to ground.

Disconnect Spark Plug Wires before making any adjustments, repairs or to remove debris in tines.

MAINTENANCE

DAILY MAINTENANCE

Make sure all Nuts are tight, Cotter Pins are spread and Retainer Springs secured. Observe all safety precautions. Keep Tiller well lubricated.



DISCONNECT SPARK PLUG WIRES TO PREVENT ACCIDENTAL STARTING BEFORE MAKING ANY INSPECTION, ADJUSTMENT (EXCEPT CARBURETOR) OR REPAIR.

ENGINE LUBRICATION

NOTE: BE CAREFUL NOT TO ALLOW DIRT TO ENTER THE ENGINE WHEN CHECKING OR CHANGING OIL.
CHECK ENGINE OIL LEVEL AFTER EACH 5 HOURS OF OPERATION. Several minutes after stopping Engine, check Oil Dipstick. Remove and read Oil Level. If necessary, add Oil until "FULL" mark is reached. Use S.A.E. 30 Motor Oil (SC, SD or SE). **NOTE: DO NOT OVERFILL.** Replace Engine Oil Dipstick.

CHANGE OIL AFTER FIRST 5 HOURS OF OPERATION. The best time to change Oil is at the end of a days operation, when all dirt and foreign material are suspended in the hot Oil.

1. Drain Engine Oil by removing the Engine Oil Drain Plug (Fig. 8) and Oil Dipstick (Fig. 8 - Inset). Catch Oil in a suitable container. Replace Engine Oil Drain Plug
2. Refill Engine with Oil as stated above. Capacity is 1 - 1/2 pints (24 ounces). Replace the Oil Dipstick.

CHANGE OIL AFTER EVERY 25 HOURS OF OPERATION.

TRANSMISSION LUBRICATION

CHECK TRANSMISSION OIL LEVEL AFTER FIRST 5 HOURS OF OPERATION. Remove Oil Fill Plug (Fig. 8). Oil Level must be even with this Plug Hole (with Tiller level). If necessary, add Oil. Use S.A.E. 30 Motor Oil (SC, SD or SE), (same as engine). Replace Oil Fill Plug.

CHECK TRANSMISSION OIL LEVEL AFTER EACH 10 HOURS OF OPERATION.

NOTE: It is not necessary to change the Oil in this Tiller Transmission. If for any reason, it must be changed, Oil capacity is 1 - 1/4 quarts.

AIR CLEANER

EVERY 25 HOURS CLEAN AND RE-OIL FOAM PRE-CLEANER, more often if engine runs rich, and emits black smoke from the exhaust.

1. Remove Wing Nut and Cover (Fig. 9).
2. Remove Foam Pre-Cleaner by sliding it up and off the Paper Cartridge.
3. Wash Foam Pre-Cleaner in liquid detergent and water.
4. Wrap Foam Pre-Cleaner in cloth and thoroughly squeeze dry.
5. Let Foam Pre-Cleaner dry overnight for best results.
6. Saturate with engine oil. Squeeze to distribute and remove excess oil.
7. Clean the Cover.
8. Install Foam Pre-Cleaner over Paper Cartridge. Reassemble Cover and Wing Nut.

EVERY 100 HOURS-REMOVE PAPER FILTER. TAP LIGHTLY TO REMOVE DIRT; REPLACE IF NECESSARY. DO NOT OIL CARTRIDGE OR USE PRESSURIZED AIR TO CLEAN CARTRIDGE. A DAMAGED CARTRIDGE WILL RESULT IN RAPID WEAR OUT OF THE ENGINE. DO NOT RUN ENGINE WITH AIR CLEANER REMOVED.

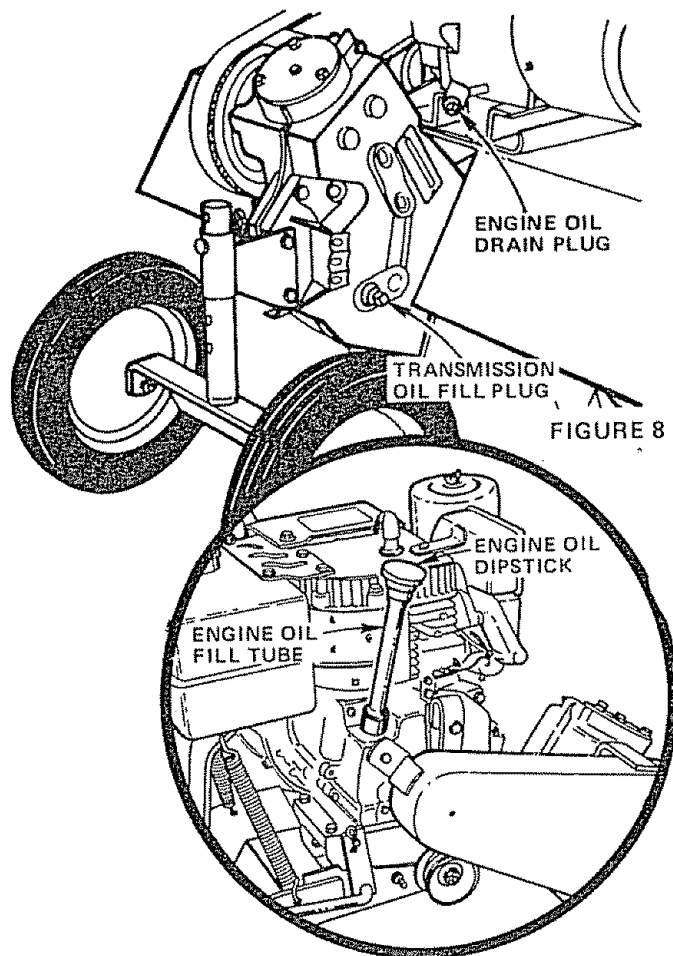


FIGURE 8

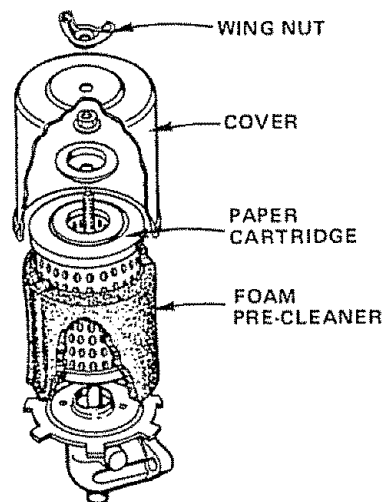


FIGURE 9

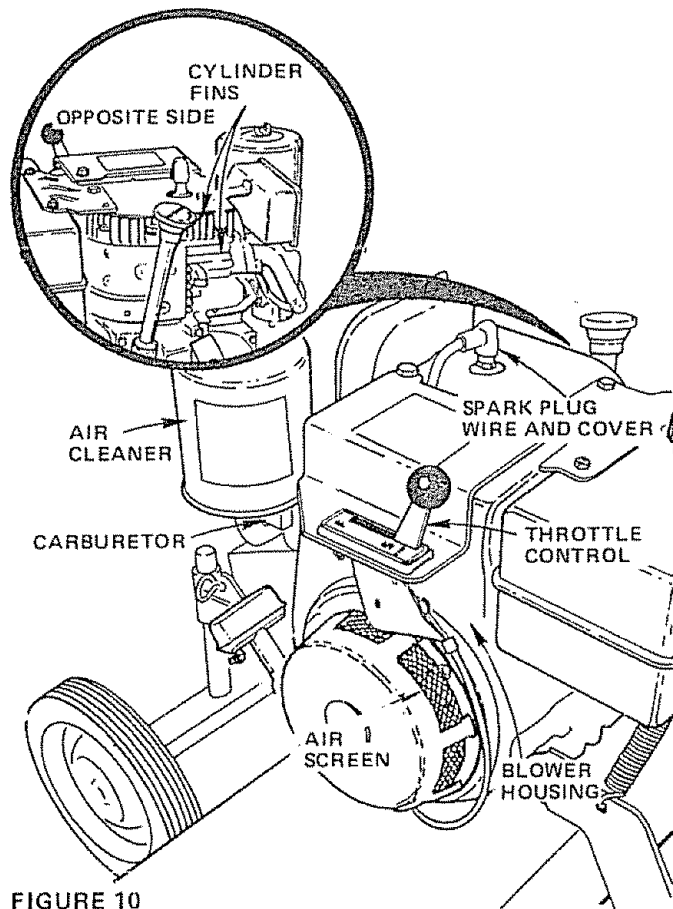


FIGURE 10

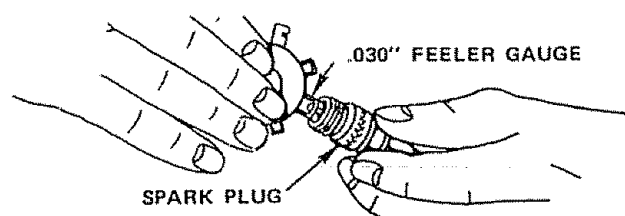


FIGURE 11

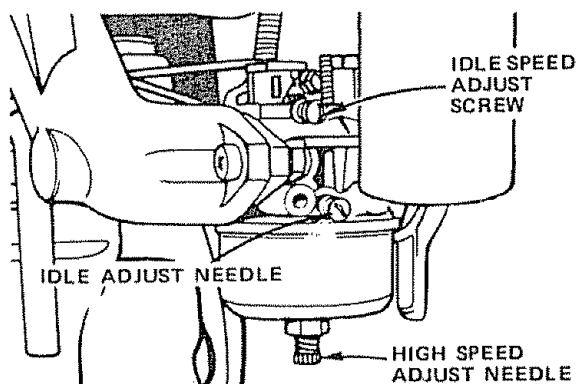


FIGURE 12

CYLINDER FINS STARTER AIR SCREEN

Keep engine clean of foreign matter at all times. Be sure Cylinder Fins (Fig. 10 - Inset) and Air Screen (Fig. 10) are kept clean to permit proper ventilation. Remember, this is an air cooled engine and free air flow is important for proper engine performance and long life.



WEAR SAFETY GLASSES IF USING COMPRESSED AIR.

SPARK PLUG

The Spark Plug should be changed every 100 hours of operation, or at the beginning of each tillage season, whichever comes first. Gap at .030" (Fig. 11). Order the part number listed in the "REPAIR PARTS" section of this manual.

CARBURETOR



WHEN FOLLOWING STEPS LISTED BELOW, USE EXTREME CARE TO AVOID CONTACT WITH MUFFLER, OR MOVING PARTS TO PREVENT INJURY. ALSO, BELT GUARD MUST BE IN PLACE.

DO NOT MAKE UNNECESSARY ADJUSTMENTS. FACTORY SETTINGS ARE CORRECT FOR MOST APPLICATIONS.

If adjustments are needed proceed as follows:

1. Close High Speed Adjust Needle (Fig. 12) by turning clockwise (↻). Close finger tight ONLY. Forcing may cause damage.
2. Open High Speed Adjust Needle (Fig. 12) by turning 1 - 1/2 turns counterclockwise (↺).
3. Close Idle Adjust Needle by turning clockwise (↻). Close finger tight ONLY. Forcing may cause damage.
4. Open Idle Adjust Needle by turning 1 - 1/4 turns counterclockwise (↺).
5. Start engine. Run engine a few minutes to warm it up.



REFER TO "OPERATION" PAGE 5, STEPS 3 THRU 8.

6. With engine running at Idle Speed, adjust Idle Adjust Needle 1/8 turn at a time clockwise (↻) and counterclockwise (↺) until engine runs smoothly. Allow several seconds between each adjustment for engine to adapt to new setting.
7. With engine running at full throttle, adjust the High Speed Needle 1/8 of a turn at a time clockwise (↻) and counterclockwise (↺) until engine runs smoothly. Allow several seconds between each adjustment for engine to adapt to new setting.

After the engine is thoroughly broken in (2 or 3 hours of running), it may be necessary to readjust the engine Idle speed as follows:

1. Start the engine and warm up, following recommended procedures. Two to three minutes is sufficient time.
2. With engine at Idle Speed, turn the Idle Adjust Screw slowly counterclockwise (↺) until the engine begins to falter.
3. Then raise the engine speed by turning the Idle Adjust Screw clockwise (↻) until the engine holds a smooth constant speed.
4. Check to see that the engine will accelerate to full speed without hesitation. If it will not, open Idle Adjust Needle 1/8 turn counterclockwise (↺).

CAUTION: Never attempt to change maximum engine speed. This is preset at factory and can only be changed by a qualified Sears Service Technician who has the necessary equipment.

BELT ADJUSTMENT



SHUT OFF ENGINE WHILE MAKING FOLLOWING ADJUSTMENT.

The Clutch is a belt-tightener type. Belt should be just tight enough to prevent slipping. Over tightening will reduce Belt life. To tighten Belt, remove Retainer Spring securing Belt-Tightener Link to Clutch Lever and Arm. Turn Link in a counterclockwise (↺) direction when standing in front of Tiller, one turn at a time, until Belt no longer slips. Initial adjustment should be such that a force of approximately 10 lbs. at the end of the Lever is required to engage the Clutch. This would be a heavy thumb pressure (Fig. 13).

BELT REPLACEMENT

1. Remove the three bolts holding Belt Guard to Tiller. Remove Guard.
2. Remove old Belt.
3. Install new Belt so that lower side of Belt is above Idler (Fig. 13) as shown.
4. Adjust Belt, refer to "BELT ADJUSTMENT" section.
5. Replace Belt Guard. Make sure all moving parts will clear Belt Guard.

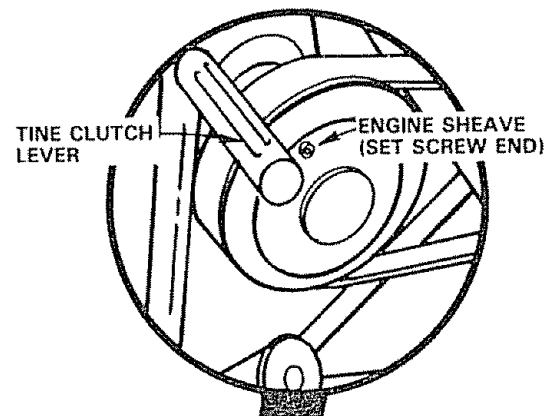
NOTE: IF IT SHOULD BECOME NECESSARY TO REMOVE THE ENGINE SHEAVE, BE SURE THAT IT IS REINSTALLED SO THAT THE SET SCREW END IS TOWARD THE OUTSIDE (FIG. 13).

STORAGE

Engines to be stored over 30 days should be completely drained of fuel to prevent gum deposits forming on essential carburetor parts, fuel filter, fuel lines and tank.

1. Drain fuel tank completely.
2. Operate engine until gasoline in carburetor is completely consumed.
3. While engine is still warm, drain oil from crankcase. Refill with fresh oil.
4. Remove spark plug. Pour one ounce (2 or 3 tablespoons) of S.A.E. 30 oil into cylinder and pull Starter Handle slowly several times to distribute oil. Replace spark plug.
5. Clean dust, dirt and oil from Cylinder Fins, Blower Housing, Air Screen and entire Tiller (Fig. 10).

STORE YOUR TILLER INSIDE A DRY, WEATHER-PROOF BUILDING.



CAUTION: BELT GUARD REMOVED.

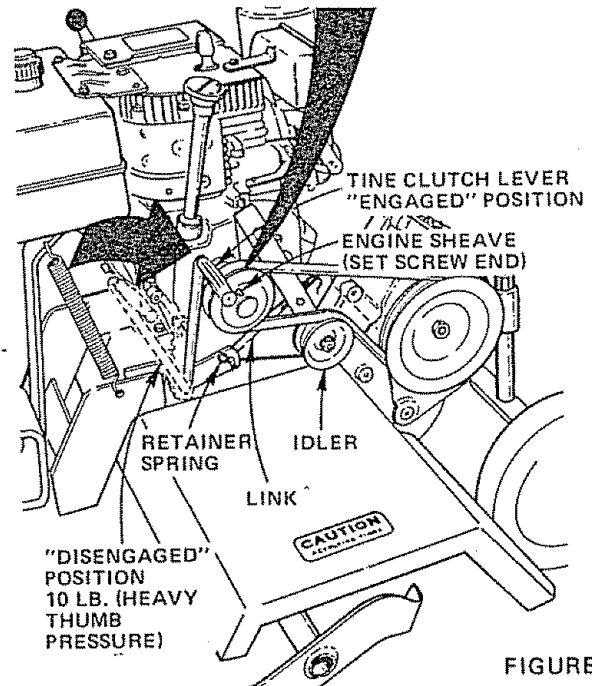
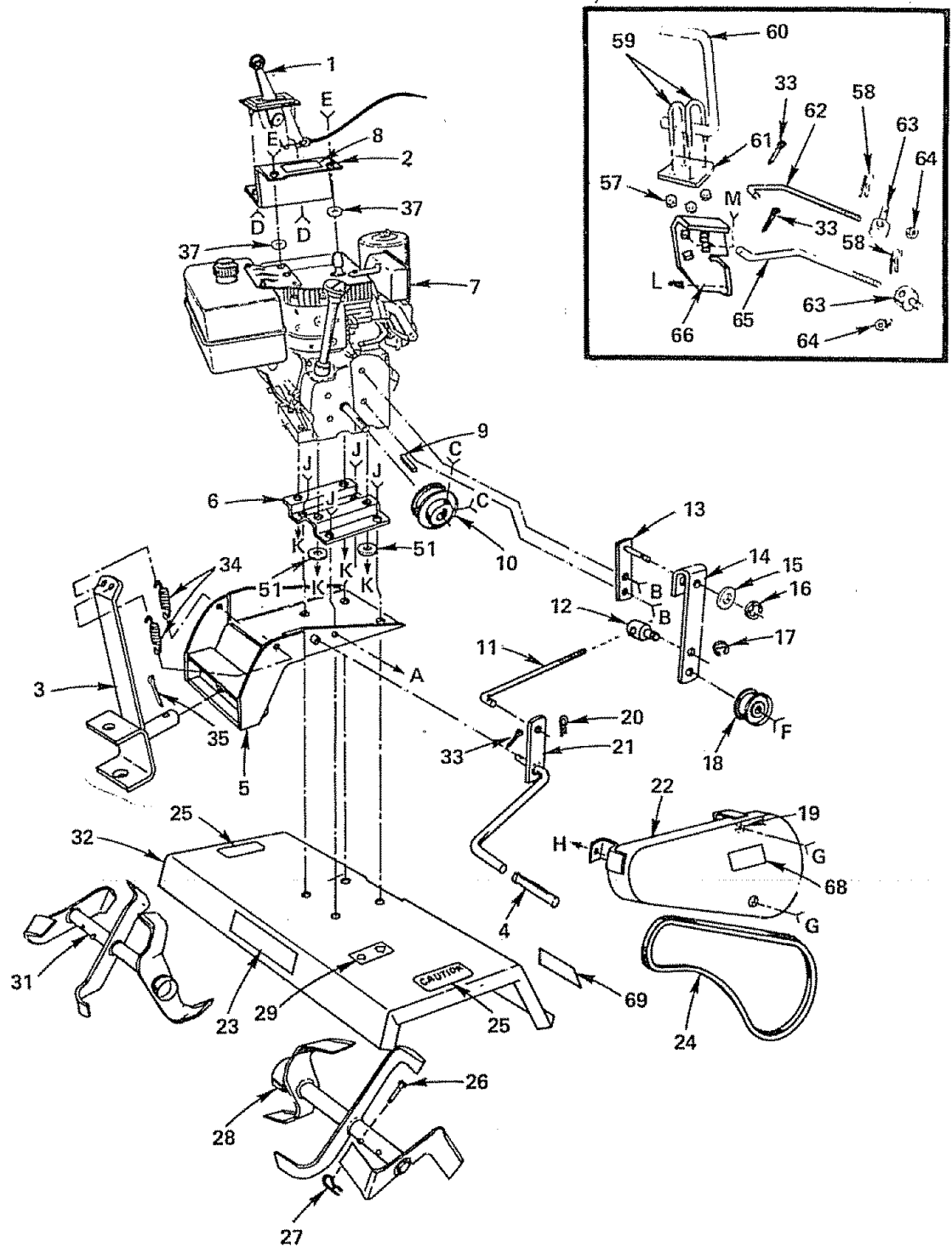


FIGURE 13

REPAIR PARTS

TILLER ATTACHMENT--MODEL NUMBER 917.252492

ENGINE AND TINES



- | | | | | | | | | | | | |
|----------|----------|----------|----------|----------|----------|----------|----------|----------|----------|----------|----------|
| A | B | C | D | E | F | G | H | J | K | L | M |
| | | | | | | | | | | | |
| 43 | 46 | 48 | 44 | 36 | 67 | 42 | 46 | 49 | 40 | 53 | 54 |
| | | | | | | | | | | | |
| 44 | 52 | | 45 | 47 | 50 | 47 | 47 | 19 | 47 | 38 | 55 |
| | | | | | | | | | | | |
| 45 | | | | 51 | | 51 | 51 | 38 | 41 | 39 | 56 |
| | | | | | | | | | | | |
| | | | | | | | | 39 | | | |

another free manual from www.searstractormanuals.com

REPAIR PARTS

TILLER ATTACHMENT--MODEL NUMBER 917.252492

ENGINE AND TINES

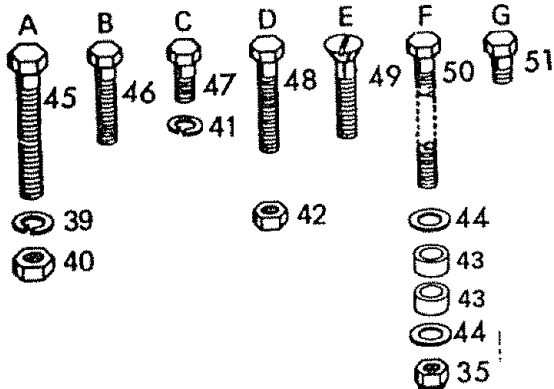
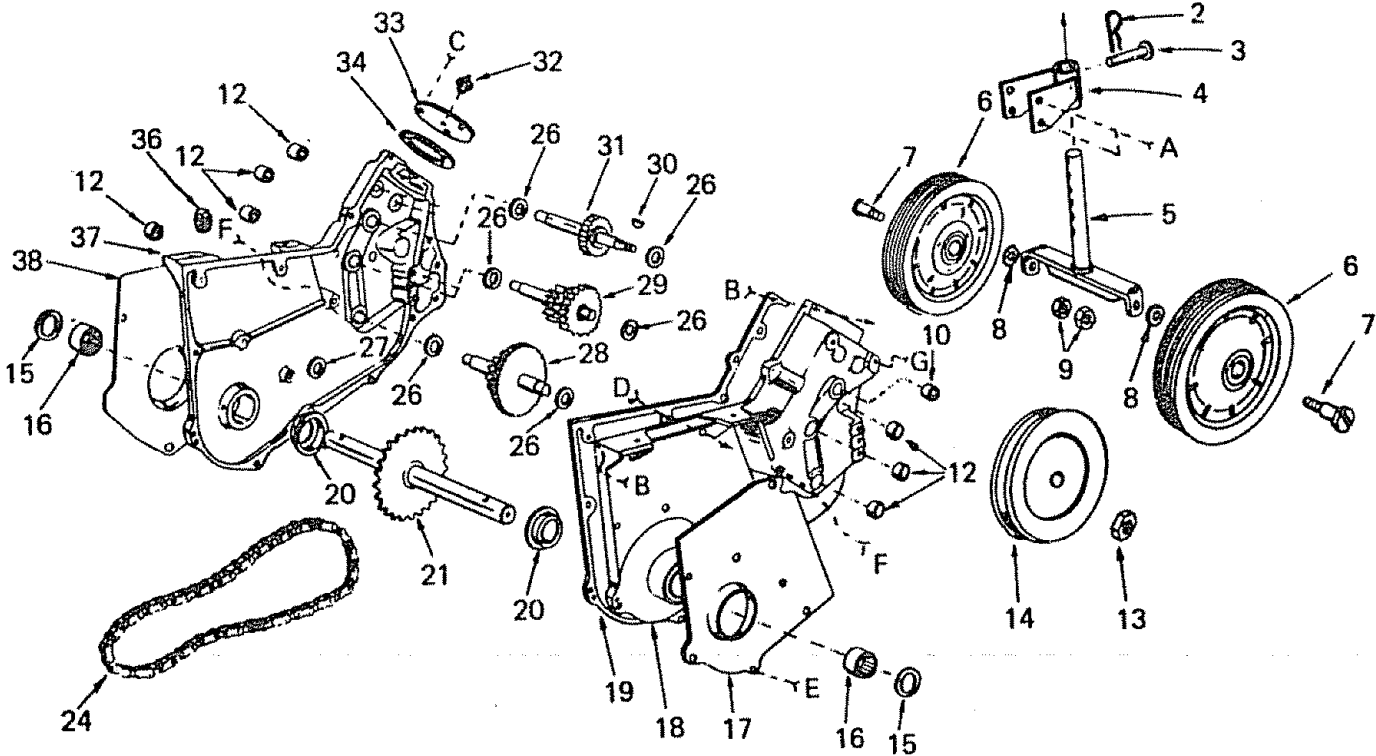
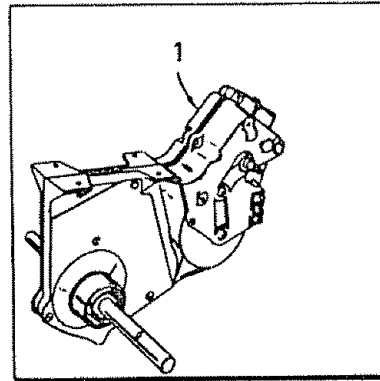
KEY NO.	PART NO.	DESCRIPTION	KEY NO.	PART NO.	DESCRIPTION
1	6923J	Control Throttle	38	STD551137	*Lockwasher 3/8
2	6924J	Bracket - Throttle Control	39	STD541037	*Nut - Hex 3/8 - 16 UNC
3	677A860	Hitch Yoke Assembly	40	STD523115	*Bolt - Hex 5/16 - 18 x 1 - 1/2 Gr. 2
4	4379H	Grip - Handle	41	STD541031	*Nut - Hex 5/16 - 18 UNC
5	677A855	Hitch Channel Assembly	42	15760512	Hex Bolt with Sems Ext Lockwasher 5/16 - 18 UNC x 3/4
6	6922R	Plate - Adapter	43	STD522510	*Hex Bolt 1/4 - 20 x 1
7	109856X	Engine 8 H.P., Tecumseh--Model No 143.776012	44	STD551125	*Lockwasher 1/4
8	104867X	Decal - Instruction, Engine	45	STD541025	*Hex Nut 1/4 - 20 UNC
9	4914H	Square Key 1/4 x 1 - 1/4	46	STD623107	*Hex Bolt 5/16 - 24 x 3/4
10	8249R	Engine Sheave	47	STD551131	*Lockwasher 5/16
11	6652H	Belt Tightener Link	48	STD503103	*Hex Forged Socket Headless Set Screw 5/16 - 18 x 3/8 C.P.
12	6656H	Adjusting Pin	49	STD523715	*Hex Bolt 3/8 - 16 x 1 - 1/2
13	624A12	Idler Support Plate and Pivot	50	STD541237	*Hex Jam Nut 3/8 - 16 UNC
14	2360J	Idler Arm	51	STD551031	*Washer 11/32 x 11/16 x 16 Ga.
15	19151116	Washer 15/32 x 11/16 x 16 Ga (0 - 2 as required)	52	11050500	Lockwasher - External Tooth 5/16
16	12000015	*E-Ring	53	74930632	Bolt - Hex 3/8 - 16 UNC x 2 Full Thd.
17	6683H	E-Ring	54	STD535010	*Bolt - Sq Neck Carriage Short Shoulder 1/2 - 13 UNC x 1
18	4933H	Idler Pulley	55	STD551150	*Lockwasher - 1/2
19	19131414	Washer 13/32 x 7/8 x 14 Ga.	56	STD541050	*Nut - ASF Hex 1/2 - 13 UNC
20	4497H	Retainer Spring	57	73690600	Locknut 3/8 - 16 UNC
21	626A430	Lever and Arm	58	4939M	Spring - Retainer
22	634A726	Belt Guard and Supports	59	6678H	Bolt - U
23	106948X	Decal - Logo, Craftsman	60	3457R	Extension - Lift Handle
24	8225R	V-Belt	61	6665H	Plate-U-Bolt
25	8216R	Decal - Caution	62	7796R	Lift Link - R.H.
26	4929H	Drilled Pan Hd Rivet 3/8 x 1 - 3/4	63	6782R	Swivel - Lift Link
27	3146R	Retainer Spring	64	9204H	Locknut - 1/2 - 20 UNF
28	626A401	Tine Weldment - L.H.	65	7795R	Lift Link - L.H.
29	8212R	Decal	66	9773R	Bracket - Lever Stop
31	626A402	Tine Weldment - R.H.	67	72250614	Bolt - Carriage 3/8 - 16 x 1 - 3/4
32	8224R	Tine Shield	68	4777J	Decal - 8 H.P.
33	76020516	Cotter Pin 5/32 x 1	69	105332X	Decal - Craftsman
34	8905R	Spring	---	109995X	Owners Manual
35	76020824	Cotter Pin 1/4 x 1 - 1/2			
36	STD523110	*Bolt - Hex 5/16 - 18 x 1 Gr. 2			
37	19131311	Washer 13/32 x 13/16 x 11 Ga.			

*STANDARD HARDWARE--PURCHASE LOCALLY

REPAIR PARTS

TILLER ATTACHMENT--MODEL NUMBER 917.252492

TRANSMISSION AND GAUGE WHEELS



REPAIR PARTS

TILLER ATTACHMENT--MODEL NUMBER 917.252492

TRANSMISSION AND GAUGE WHEELS

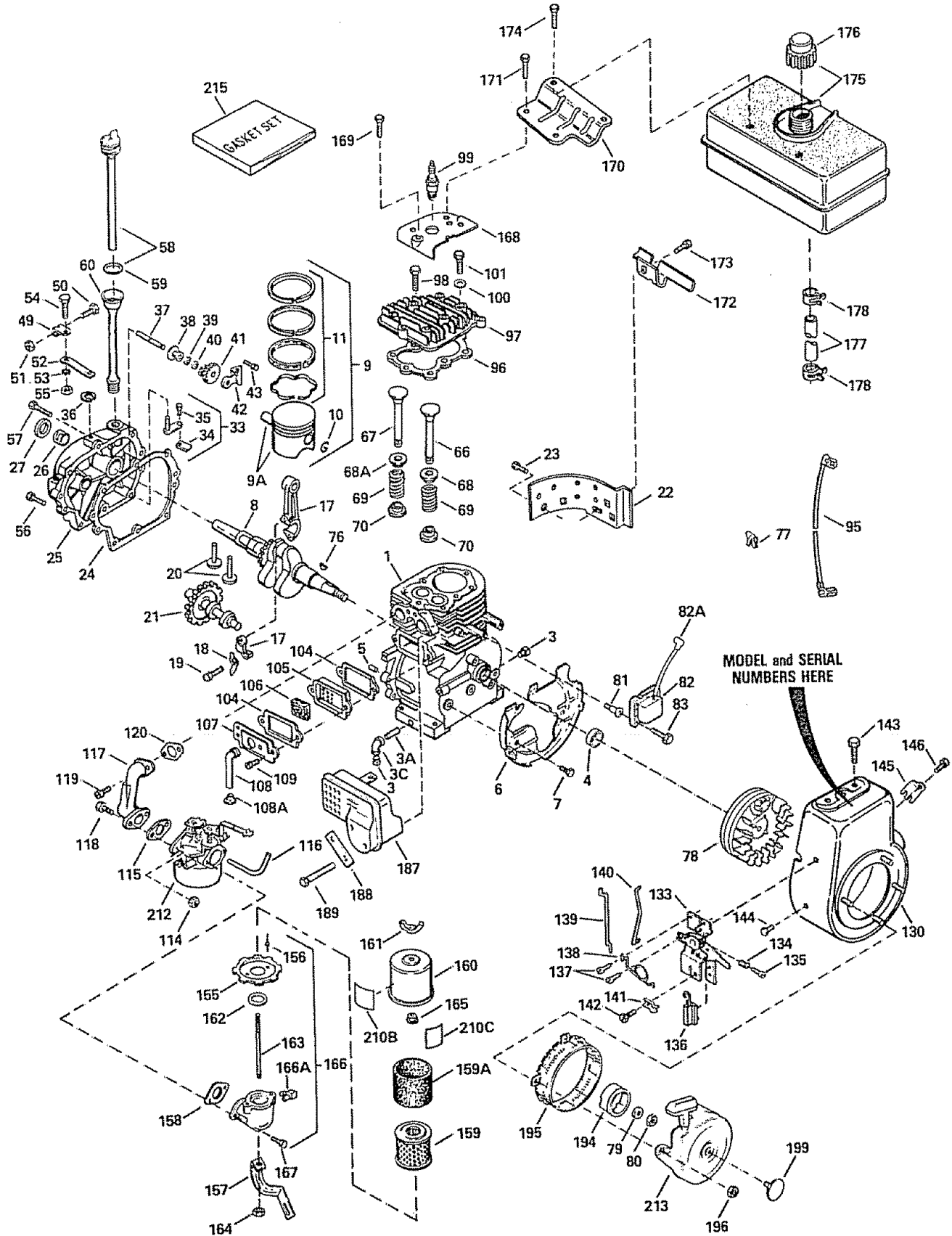
KEY NO.	PART NO.	DESCRIPTION	KEY NO.	PART NO.	DESCRIPTION
1	634A562	Transmission	29	634A58	1st Reduction Shaft and Gears
2	9135R	Retainer Spring	30	9858M1	Woodruff Key 3/16 x 5/8
3	4929H	Drilled Pan Head Rivet 3/8 x 1 - 3/4	31	634A57	Input Shaft and Pinion
4	634A61	Gauge Wheel Sleeve and Brackets	32	5855H	Relief Valve
5	634A559	Gauge Wheel Adjusting Shaft and Bracket	33	6672H	Gear Shift Cover
6	2557J	Wheel	34	4913H	Gasket
7	4898H	Shoulder Bolt	35	1685H	Locknut 5/16 - 18 UNC
8	19131311	Washer 13/32 x 13/16 x 11 Ga.	36	13060400	Pipe Plug 1/2 - 14 N.P.T.
9	73560600	Locknut 3/8 - 16 UNC Nylok	37	624A57	Gear Case and Bearings R.H. Half (Inc. Key No's. 12, 16 & 20)
10	3136R	Needle Bearing	38	4878H1	Gear Case Shield R.H.
12	4895H	Needle Bearing	39	STD551137	*Lockwasher 3/8
13	9204H	Lock Nut 1/2 - 20 UNF	40	STD541037	*Hex Nut 3/8 - 16 UNC
14	4932H	Input Sheave	41	STD551131	*Lockwasher 5/16
15	4910H	Oil Seal	42	STD541031	*Hex Nut 5/16 - 18 UNC
16	3039R	Needle Bearing	43	7850H	Spacer
17	4877H1	Gear Case Shield L.H.	44	STD551031	*Washer 11/32 x 11/16 x 16 Ga.
18	624A56	Gear Case and Bearings L.H. Half (Inc. Key No's. 10, 12, 16 & 20)	45	STD523722	*Hex Bolt 3/8 - 16 x 2 - 1/4
19	2601R	Gasket	46	17860524	Hex Hd. Roll-Lok Thd. Forming Screw 5/16 - 18 x 1 - 1/2
20	4870H	Thrust Cap	47	STD523107	*Hex Bolt 5/16 - 18 x 3/4
21	634A555	Tine Shaft and Sprocket	48	STD523120	*Hex Bolt 5/16 - 18 x 2
24	2600R	Roller Chain	49	17850524	Flat Hd. Slotted Roll-Lok Thd. Forming Screw 5/16 - 18 x 1 - 1/2
26	1370H	Thrust Bearing Race	50	74780596	Hex Bolt 5/16 - 18 x 6 Gr. 5
27	4912H	Gasket	51	74760508	Hex Bolt 5/16 - 18 x 1/2
28	634A59	2nd Reduction Shaft and Gears			

*STANDARD HARDWARE--PURCHASE LOCALLY

REPAIR PARTS

TILLER ATTACHMENT--MODEL NUMBER 917.252492
8 H.P. ENGINE TECUMSEH--MODEL NUMBER 143.776012

ENGINE



another free manual from www.searstractormanuals.com

EPAIR PARTS

TILLER ATTACHMENT--MODEL NUMBER 917.252492 8 H.P. ENGINE TECUMSEH--MODEL NUMBER 143.776012

ENGINE

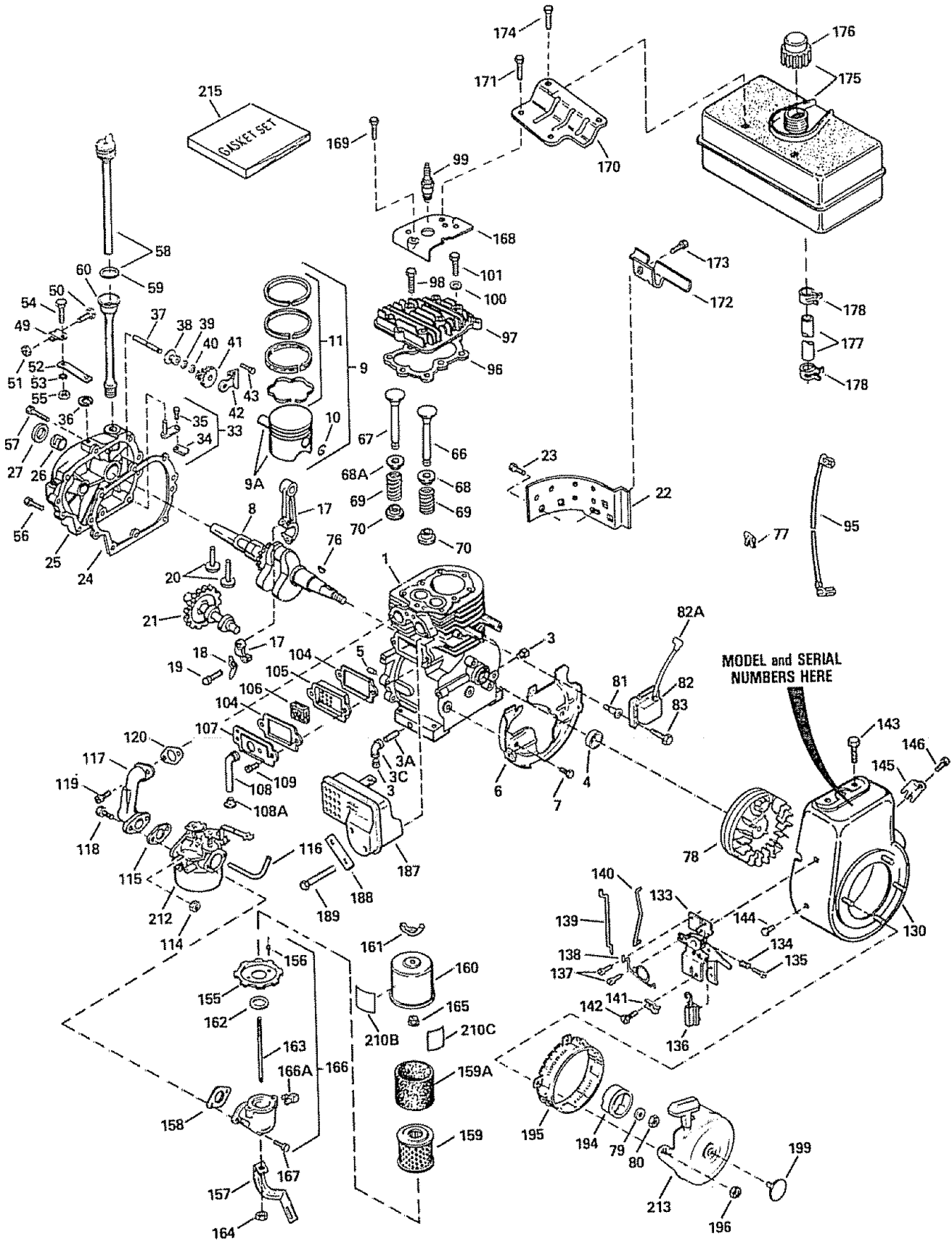
KEY NO.	PART NO.	DESCRIPTION	KEY NO.	PART NO.	DESCRIPTION
1	35385	Cylinder (Incl. Nos. 3, 4 & 5)	67	34036	Valve, Intake (Incl. No. 70) (1/32" oversize)
3	27642	Plug, Pipe	68	27882	Cap, Upper valve spring
3A	30968	Nipple, Oil drain	68A	34689	Seal Assy., Intake valve
3C	32214	Elbow, Oil drain (45 degrees)	69	27881	Spring, Valve
4	35319	Seal, Oil	70	32581	Cap, Lower valve spring
5	27652	Pin, Dowel	76	32589	Key, Flywheel
6	35326	Baffle, Blower housing	77	29443	Clip, Wire
7	650561	Screw, Hex washer hd. Durlock, 1/4-20 x 5/8	78	611090	Flywheel
8	35372	Crankshaft	79	650880	Washer, Lock
9	34552	Piston, Pin & Ring Assy. (Incl. Nos. 9A, 10 & 11) (Std.)	80	650881	Nut, Flywheel
9	34553	Piston, Pin & Ring Assy. (Incl. Nos. 9A, 10 & 11) (.010 oversize)	81	650872	Stud, Solid State mounting
9	34554	Piston, Pin & Ring Assy. (Incl. Nos. 9A, 10 & 11) (.020 oversize)	82	35135	Solid State Assy.
9A	34329A	Piston & Pin Assy. (Incl. No. 10) (Std.)	82A	610118	Cover, Spark plug
9A	34330A	Piston & Pin Assy. (Incl. No. 10) (.010 oversize)	83	650814	Screw, Hex hd Sems, 10-24 x 1
9A	34331A	Piston & Pin Assy. (Incl. No. 10) (.020 oversize)	95	35187	Wire, Ground
10	27888	Ring, Piston pin retaining	96	*34041	Gasket, Cylinder head
11	34332	Ring Set, Piston (Std.)	97	34030	Head, Cylinder
11	34333	Ring Set, Piston (.010 oversize)	98	6021A	Screw, Hex flange hd., 5/16-18 x 1-1/2
11	34334	Ring Set, Piston (.020 oversize)	99	33636	Spark Plug (Champion J-8C or equivalent)
17	35373	Rod Assy., Connecting (Incl. Nos. 18 & 19)	100	650691	Washer, Flat
18	35374	Dipper, Oil	101	650727	Screw, Special hex hd. tapped, 5/16-18 x 1-3/4
19	650882	Screw, Connecting rod	104	*27896	Gasket, Breather
20	34034	Lifter, Valve	105	28423	Body, Breather
21	35375	Camshaft (Mechanical Compression Release)	106	28424	Element, Breather
22	33273A	Extension, Blower housing	107	28425	Cover, Breather
23	650128	Screw, Fil. hd. Sems, 10-24 x 1/2	108	34696	Tube, Breather
24	*35262	Gasket, Cylinder cover	108A	32446	Grommet, Breather tube
25	35376	Cover Assy., Cylinder (Incl. Nos. 26, 27 & 37)	109	650128	Screw, Fil. hd. Sems, 10-24 x 1/2
26	35377	Bearing, Cylinder cover	114	29752	Nut & Lockwasher, 1/4-28
27	35319	Seal, Oil	115	*33263	Gasket, Carburetor
33	30699C	Rod Assy., Governor (Incl. Nos. 34 & 35)	116	35043	Tube, Carburetor
34	30700	Yoke, Governor	117	34707	Pipe, Intake
35	650494	Screw, Fil. hd. Sems, 6-40 x 5/16	118	30088A	Screw, Fil. hd. Sems, 1/4-28 x 1
36	29642	Ring, Retaining	119	650378	Screw, Fil. hd. Sems, 5/16-18 x 1-1/8
37	31845	Shaft, Governor	120	*27915	Gasket, Intake pipe
38	30588A	Spool, Governor	130	34833A	Housing, Blower
39	30590A	Washer, Flat	133	34664	Bracket Assy., Control (Incl. Nos. 134, 135 & 138)
40	29193	Ring, Retaining	134	31342	Spring, Compression
41	35378	Gear, Governor (Incl. No. 39)	135	650549	Screw, Fil. hd., 5-40 x 7/16
42	33369	Bracket, Governor gear	136	610973	Terminal Assy
43	650836	Screw, Hex washer hd. thread forming, 10-24 x 1/2	137	650821	Screw, Hex washer hd. thread cutting, 10-32 x 1/2
49	29916	Clamp, Governor lever	138	34663	Spring, Speed control
50	29826	Screw, Hex washer hd., 10-32 x 3/4	139	34667	Link, Governor
51	29216	Locknut, Hex "Keps", 10-32	140	33878	Link, Governor-to-throttle
52	33454	Lever, Governor	141	27793	Clip, Conduit
53	29918	Washer, E.T. Lock	142	28942	Screw, Hex washer hd. Sems, 10-32 x 3/8
54	650548	Screw, Hex washer hd., 8-32 x 5/16	143	650788	Screw, Hex hd. spinlock thread forming, 5/16-18 x 3/4
55	30322	Locknut, Hex "Keps", 8-32	144	29747B	Screw, Phil. hex hd. Sems, 5/16-24 x 21/32
56	650832	Screw, Hex washer hd. Powerlok, 1/4-20 x 1-11/16	145	33013	Cover, Starter hole
57	650833	Screw, Hex washer hd. Powerlok, 1/4-20 x 1-3/16	146	650760	Screw, Pan hd. taptite, 8-32 x 7/16
58	34011A	Dipstick, Oil (Incl. No. 59)	155	34699	Bracket, Air cleaner
59	33590	"O" Ring	156	156	Pop Rivet (1/8") (Can be purchased locally)
60	33893A	Tube, Oil filler	157	35045	Bracket, Air cleaner
66	27878A	Valve, Exhaust (Incl. No. 70) (Std.)	158	*27272	Gasket, Air cleaner
66	27880A	Valve, Exhaust (Incl. No. 70) (1/32" oversize)	159	34700	Element, Air cleaner
67	34035	Valve, Exhaust (Incl. No. 70) (Std.)	159A	34703	Filter, Pre-Air
			160	34702	Cover, Air cleaner

*Indicates Parts Included in Gasket Set, Key No. 215.

REPAIR PARTS

TILLER ATTACHMENT--MODEL NUMBER 917.252492
8 H.P. ENGINE TECUMSEH--MODEL NUMBER 143.776012

ENGINE



another free manual from www.searstractormanuals.com

AIR PARTS

TILLER ATTACHMENT--MODEL NUMBER 917.252492 8 H.P. ENGINE TECUMSEH--MODEL NUMBER 143.776012

ENGINE

KEY NO.	PART NO.	DESCRIPTION	KEY NO.	PART NO.	DESCRIPTION
161	650513	Nut, Wing, 1/4-20	175	34156	Tank, Fuel (Incl. No. 176)
162	34698	Gasket, Air cleaner	176	33032	Cap, Fuel tank
163	650851	Stud, 1/4-20 x 8.1	177	30705	Line, Fuel
164	650852	Nut, Hex "Keps", 1/4-20	178	26460	Clamp, Fuel line
165	650825	Nut & Lockwasher, 1/4-20	187	33280A	Muffler
166	35044	Elbow Assy., Air cleaner (Incl. Nos. 155, 156, 162, 163 & 166A)	188	31588	Plate, Lock
166A	30675	Fitting, Breather tube	189	650729	Screw, Hex hd., 5/16-18 x 3-3/16
167	650163	Screw, Fil. hd. Sems, 10-32 x 7/8	193	35392	Plug, Starter
168	33272A	Cover, Cylinder head	194	35287	Hub, Starter
169	650802	Screw, Hex washer hd. taptite, 1/4-20 x 5/8	195	35446	Screen, Starter
170	34154	Plate, Fuel tank mounting	196	29752	Nut & Lockwasher, 1/4-28
171	650713	Screw, Hex hd., 5/16-18 x 5/8	210B	34704	Decal, Air cleaner
172	34155	Bracket, Fuel tank	210C	35353	Decal, Instruction
173	650561	Screw, Hex washer hd. Durlok, 1/4-20 x 5/8	212	632325	Carburetor (Incl. No. 115)
174	650665	Screw, Hex washer hd. thread cutting, 1/4-15 x 7/8	213	590633	Starter, Rewind
			215	33279D	Gasket Set (Incl. items marked *)

*Indicates Parts Included in Gasket Set, Key No. 215.

OPTIONAL EQUIPMENT

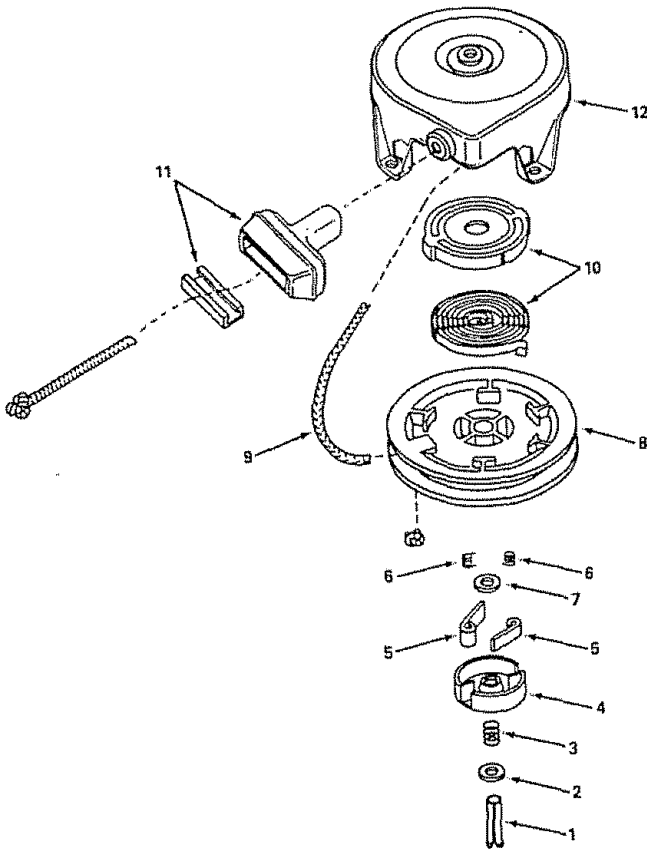
Spark Arrestor Kit

34479

REPAIR PARTS

TILLER ATTACHMENT--MODEL NUMBER 917.252492
 8 H.P. ENGINE TECUMSEH--MODEL NUMBER 143.776012

REWIND STARTER NO. 590633

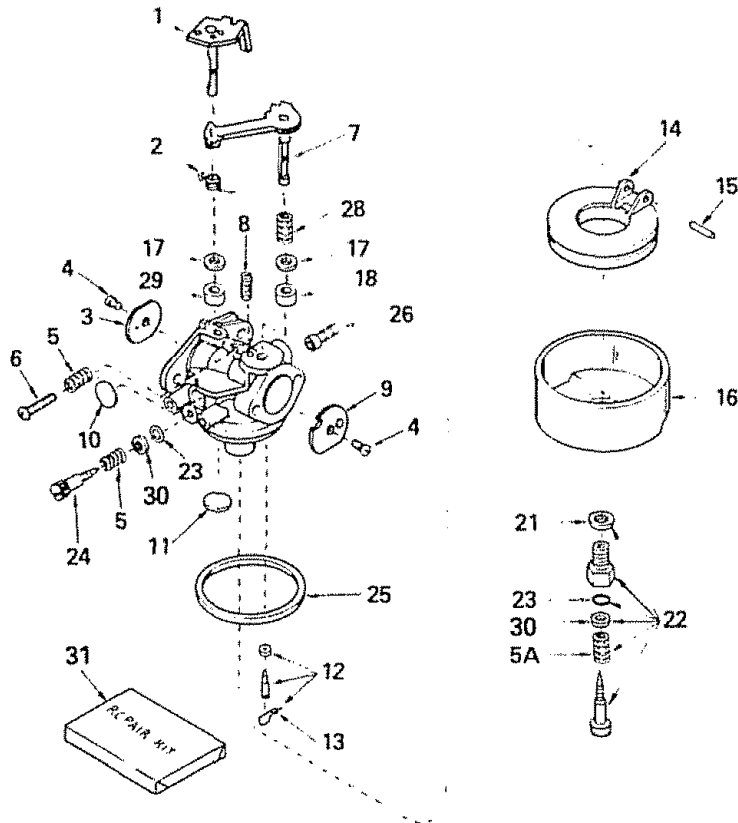


KEY PART NO.	DESCRIPTION
590633	Starter, Rewind
1 590599	Pin, Spring
2 590600	Washer
3 590598	Spring, Brake
4 590627	Retainer
5 590148	Dog, Starter
6 590617	Spring, Dog
7 590601	Washer
8 590632	Pulley
9 590451A	Rope, Starter
10 590629	Spring & Keeper Assy.
11 590387	Handle Assy., Starter
12 590634	Housing Assy., Starter

AIR PARTS

TILLER ATTACHMENT--MODEL NUMBER 917.252492
8 H.P. ENGINE TECUMSEH--MODEL NUMBER 143.776012

CARBURETOR NO. 632325



KEY PART NO	PART NO	DESCRIPTION
	632325	Carburetor
1	631776	Shaft & Lever Assy . Throttle
2	631970	Spring, Throttle return
3	631778	Shutter, Throttle
4	650506	Screw, Throttle & Choke shutter
5	630766	Spring, Idle regulating screw
5A	630738	Spring, Main adjustment screw
6	650417	Screw, Idle regulating
7	632217	Shaft & Lever Assy., Choke
8	630735	Spring, Choke positioning
9	631753	Shutter, Choke
10	*630748	Plug, Welch
11	*631027	Plug, Welch
12	*631021	Inlet Needle, Seat & Clip Assy (Incl No 13)
13	631022	Clip, Inlet needle
14	632019	Float, Carburetor
15	*631024	Shaft, Float
16	631867	Bowl, Float
17	631184	Washer, Flat
18	631183	Washer, Felt
21	27110	Gasket, Bowl-to-body
22	*632239	Adjustment Screw Assy., Main (Incl. Nos 5A, 21, 23 & 30)
23	*630740	"O" Ring, Adjustment screw
24	*632281	Screw, Idle adjustment
25	*631028	Gasket, Bowl-to-body
26	632164	Fuel fitting
28	632043	Spring, Choke return
29	631971	Seal, Dust
30	630739	Washer, Flat
31	632347	Repair Kit (Incl items marked *)

another free manual from www.searstractormaterials.com

SEARS

**OWNERS
MANUAL**

**MODEL NO.
917.252492**

**HOW TO ORDER
REPAIR PARTS**

8 H.P. 30" SLEEVE HITCH TILLER ATTACHMENT

The Model Number will be found on a plate attached to the Transmission. Always provide the Model Number when requesting service or repair parts for your Tiller Attachment.

All parts listed herein may be ordered from any Sears Service Center/Departments and most Sears Retail Stores.

WHEN ORDERING REPAIR PARTS, ALWAYS GIVE THE FOLLOWING INFORMATION:

- THE PART NUMBER
- THE PART DESCRIPTION
- THE MODEL NUMBER
- THE NAME OF MERCHANDISE

Your Sears merchandise has added value when you consider Sears has service units nationwide staffed with Sears trained technicians having the parts, tools and the equipment to insure that we meet our pledge to you, "We Service What We Sell".