

PARTS LIST FOR

**Sears**

# SEARS SUPER 12 TRACTOR

ELECTRIC STARTER 12H.P. MODEL NO. 917.25311



SEARS, ROEBUCK AND CO.—U.S.A.  
SIMPSONS-SEARS LIMITED—CANADA

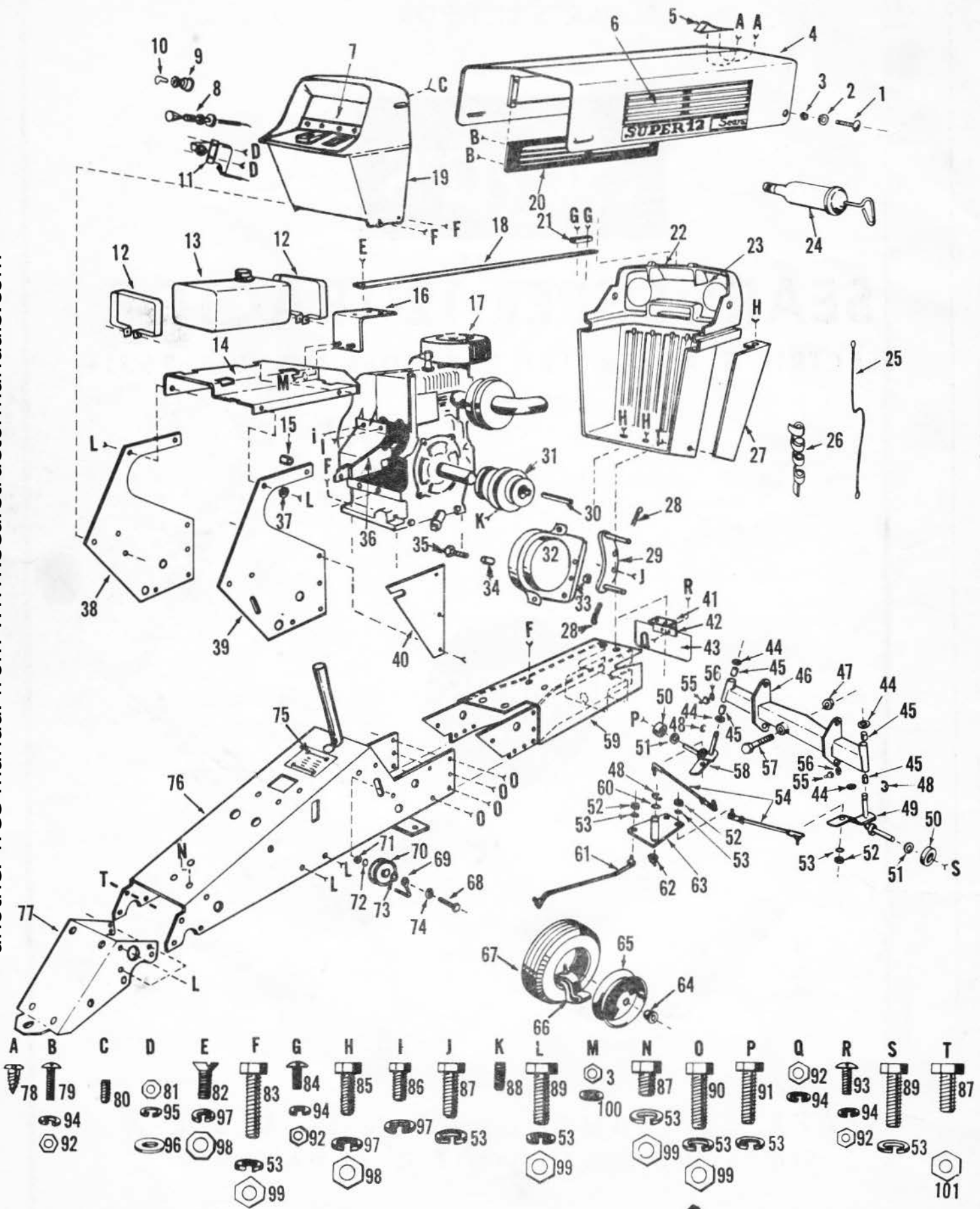
8167H

PRINTED IN U.S.A.

10.1.68

SEARS SUPER 12 TRACTOR - MODEL NUMBER 917.25311

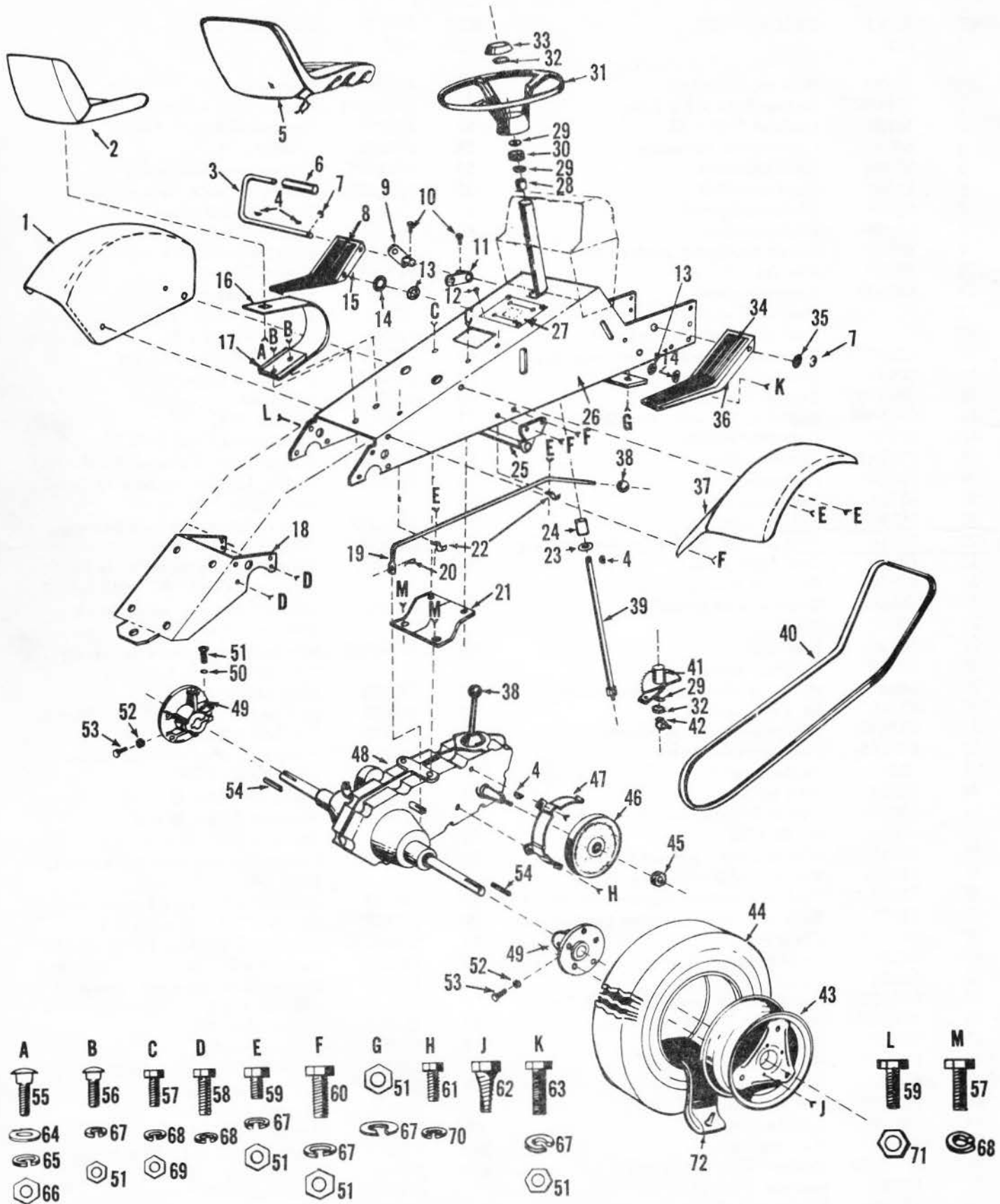
another free manual from www.searstractormanuals.com



## SEARS SUPER 12 TRACTOR - MODEL NUMBER 917.25311

| KEY NO. | PART NO. | DESCRIPTION  | KEY NO. | PART NO. | DESCRIPTION   |
|---------|----------|--|---------|----------|---|
| 1       | 7412H    | Cowling pivot bolt                                 | 55      | 6855M    | Grease fitting  |
| 2       | 19141607 | Washer 7/16 x 1 x 7 Ga.                            | 56      | 19090814 | Washer 9/32 x 1/2 x 14 Ga.  |
| 3       | 1685H    | Locknut 5/16 - 18                                  | 57      | 428721   | Hex bolt 5/8 x 11 x 4 1/2   |
| 4       | 640A46   | Cowling top assembly                               | 58      | 634A94   | Spindle L.H.  |
| 5       | 8087H    | Hood ornament                                      | 59      | 634A105  | Engine mount assembly   |
| 6       | 8159H    | Hood side R.H.                                     | 60      | 19252016 | Washer 49/64 x 1 1/4 x 16 Ga.                                     |
| 7       | 8088H1   | Dashboard panel                                    | 61      | 7203H    | Drag link and joints  |
| 8       | 7161H    | Choke control                                      | 62      | 6842M    | Grease fitting  |
| 9       | 6984H    | Keyed accessory start switch                       | 63      | 634A98   | Steering bell crank   |
| 10      | 5913H    | Key set  | 64      | 5920H1   | Flanged bearing   |
| 11      | 640A39   | Remote control                                     | 65      | 4760H    | Front wheel   |
| 12      |          | Fuel tank strap (see engine book)                  | 66      | 338H     | Tube W/straight stem  |
| 13      |          | Fuel tank (see engine book)                        | 67      | 7250H    | Tire 16 - 5.50 x 8  |
| 14      | 634A31A  | Tank and battery support assembly                  | 68      | 122320   | Hex bolt 7/16 - 14 x 2 1/2  |
| 15      | 8094H    | Bearing  | 69      | 6479H1   | Belt guide finger   |
| 16      | 634A30   | Engine tie bracket                                 | 70      | 6635H    | Flat idler  |
| 17      | 634A268  | Engine 12 H.P. elec. start Model 143.582132        | 71      | 271501   | Hex nut 7/16 - 14   |
| 17A     | 8603H    | Low tone muffler                                   | 72      | 131100   | Lockwasher 7/16   |
| 18      | 7213H1   | Dashboard brace                                    | 73      | 09151811 | Washer .469 I.D. x 1-1/8 x 11 Ga.                                 |
| 19      | 7912H    | Dashboard  | 74      | 120395   | Washer 15/32 x 59/64 x 16 Ga.                                     |
| 20      | 8158H    | Hood side L.H.                                     | 75      |          | Model plate   |
| 21      | 7553H    | Rubber bumper                                      | 76      | 634A217  | Chassis assembly with bearings                                    |
| 22      | 7221H    | Grill <i>48.88 - encl tag</i>                      | 77      | 634A101  | Drawbar W/weldnuts  |
| 23      | 8168H    | Grill light panel                                  | 78      | 9414492  | Thread cutting screw truss hd. cross recess #8 - 32 x 3/8 type T. |
| 24      | 9417M    | Pressure lube gun                                  | 79      | 141524   | Slotted truss hd. mach. screw #10 - 24 x 3/8                      |
| 25      | 6536H    | Shorting wire (black)                              | 80      | 17990505 | Hex socket headless set screw C.P. 5/16 - 18 x 5/16               |
| 26      | 6541H    | Tie  | 81      | 120375   | Hex nut 1/4 - 20  |
| 27      | 7222H    | Grill side   | 82      | 133837   | Slotted flat hd. bolt 5/16 - 18 x 1                               |
| 28      | 4939M    | Retainer spring                                    | 83      | 120918   | Hex bolt 3/8 - 16 x 1 1/2   |
| 29      | 640A44   | Mounting plate & guide assembly                    | 84      | 436734   | Pan hd. slotted machine screw #10 - 24 x 3/4                      |
| 30      | 9396E    | Sq. key 1/4 x 2                                    | 85      | 122027   | Hex bolt 5/16 - 18 x 1 1/4  |
| 31      | 634A104  | Engine pulley W/set screw                          | 86      | 122007   | Hex bolt 5/16 - 18 x 3/4  |
| 32      | 640A45   | Belt guard weldment                                | 87      | 122119   | Hex bolt 3/8 - 16 x 3/4   |
| 33      | 347H     | Huglock nut  | 88      | 17990510 | Hex socket headless set screw C.P. 5/16 - 18 x 5/8                |
| 34      | 8238H    | Split bushing                                      | 89      | 120233   | Hex bolt 3/8 - 16 x 1   |
| 35      | 132295   | Slotted fillisted hd. mach. screw 1/4 - 20 x 2 1/4 | 90      | 180124   | Hex bolt 3/8 - 16 x 1 1/4 H.T.                                    |
| 36      | 640A26   | Idler bracket - support & bearing                  | 91      | 04850616 | Hex bolt 3/8 - 16 x 1 L.H. thread                                 |
| 37      | 120394   | Washer 13/32 x 13/16 x 16 Ga.                      | 92      | 120361   | Hex nut #10 - 24  |
| 38      | 7218H    | Tank and battery support bracket L.H.              | 93      | 141526   | Slotted truss hd. mach. screw #10 - 24 x 3/8                      |
| 39      | 7217H    | Tank and battery support bracket R.H.              | 94      | 131096   | Lockwasher #10  |
| 40      | 6431H1   | Cover R.H.   | 95      | 131098   | Lockwasher 1/4  |
| 41      | 6433H    | Front channel cover support                        | 96      | 120392   | Washer 9/32 x 5/8 x 16 Ga.  |
| 42      | 6485H    | Hinge  | 97      | 120638   | Lockwasher 5/16   |
| 43      | 634A28   | Front channel cover & weld bolts                   | 98      | 120376   | Hex nut 5/16 - 18   |
| 44      | 19262014 | Washer 13/16 x 1 1/4 x 14 Ga.                      | 99      | 120377   | Hex nut 3/8 - 16  |
| 45      | 1309H    | Bearing  | 100     | 120393   | Washer 11/32 x 11/16 x 16 Ga.                                     |
| 46      | 634A92   | Front axle W/bearings                              | 101     | 5394H    | Locknut 3/8 - 16  |
| 47      | 4764H    | Huglock nut 5/8 x 11                               |         | 8167H    | Repair parts list   |
| 48      | 98000071 | E Ring - truarc #5133 - 75                         |         | 8165H    | Instruction manual  |
| 49      | 634A93   | Spindle R.H.                                       |         |          |   |
| 50      | 6427H    | Dust cap outer                                     |         |          |   |
| 51      | 09132507 | Washer 13/32 x 1-9/16 x 7 Ga.                      |         |          |   |
| 52      | 120369   | Hex nut 3/8 - 24                                   |         |          |   |
| 53      | 131099   | Lockwasher 3/8                                     |         |          |   |
| 54      | 7204H    | Tie rod and joints                                 |         |          |   |

SEARS SUPER 12 TRACTOR - MODEL NUMBER 917.25311



another free manual from www.searstractormanuals.com

- |          |          |          |          |          |          |          |          |          |          |          |          |
|----------|----------|----------|----------|----------|----------|----------|----------|----------|----------|----------|----------|
| <b>A</b> | <b>B</b> | <b>C</b> | <b>D</b> | <b>E</b> | <b>F</b> | <b>G</b> | <b>H</b> | <b>J</b> | <b>K</b> | <b>L</b> | <b>M</b> |
|          |          |          |          |          |          |          |          |          |          |          |          |
|          |          |          |          |          |          |          |          |          |          |          |          |
|          |          |          |          |          |          |          |          |          |          |          |          |

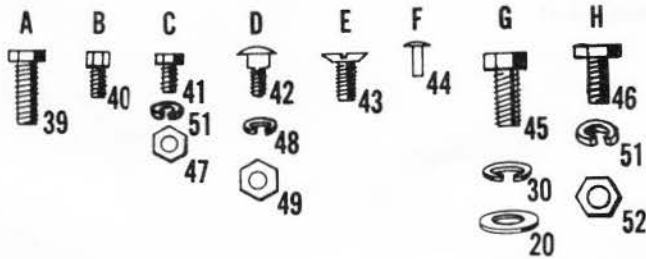
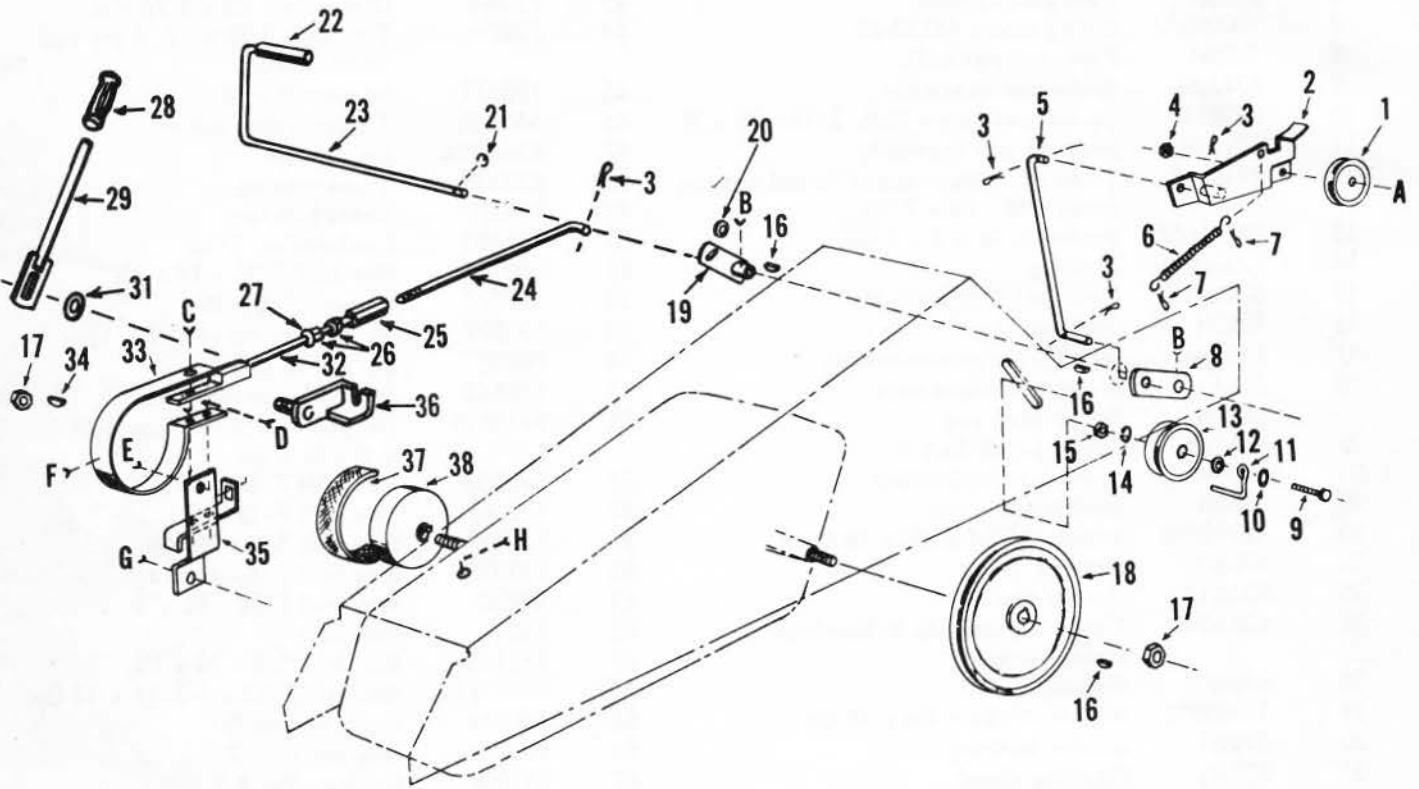
## SEARS SUPER 12 TRACTOR - MODEL NUMBER 917.25311

| KEY NO. | PART NO. | DESCRIPTION   | KEY NO. | PART NO. | DESCRIPTION                                   |
|---------|----------|---|---------|----------|---|
| 1       | 634A212  | Fender and brace L.H.                                       | 38      | 6364H    | Control knob                                  |
| 2       | 7229H    | Seat  | 39      | 640A30   | Steering shaft and pinion                     |
| 3       | 8157H    | Foot pedal shaft  | 40      | 6474H    | V Belt ground drive                           |
| 4       | 9858M1   | Woodruff key 3/16 x 5/8                                     | 41      | 634A95   | Steering gear sector and arm                  |
| 5       | 7230H    | Seat pad  | 42      | 6842M    | Grease fitting                                |
| 6       | 8156H    | Foot pedal cover  | 43      | 7226H    | Disc wheel 12 x 5 JA rim                      |
| 7       | 98000072 | E ring truarc #5133-62                                      | 44      | 7257H    | Tire 23 x 8.50 x 12 2 ply turf                |
| 8       | 7235H    | Foot rest pad L.H.  |         |          | Saver thread                                  |
| 9       | 634A33   | Brake arm assembly  | 45      | 120371   | Hex nut 1/2 - 20                              |
| 10      | 102881   | Sq. hd. set screw C.P. 5/16 - 18 x 1/2                      | 46      | 6461H2   | Transmission pulley                           |
| 11      | 626A31A  | Steering arm assembly                                       | 47      | 634A22A  | Belt guide                                    |
| 12      | 9418248  | Truss hd. cross recess thread cutting screw #10 - 24 x 7/16 | 48      | 633A29   | Transmission                                  |
| 13      | 19141607 | Washer 7/16 x 1 x 7 Ga.                                     | 49      | 7193H1   | Wheel hub rear                                |
| 14      | 7212H    | Bushing   | 50      | 131100   | Lockwasher 7/16                               |
| 15      | 634A112  | Foot rest W/bolts L.H.                                      | 51      | 180151   | Hex bolt 7/16 - 14 x 1 3/4                    |
| 16      | 7382H    | Seat spring   | 52      | 120377   | Hex nut 3/8 - 16                              |
| 17      | 8141H    | Seat spring reinforcement                                   | 53      | 102897   | Sq. hd. set screw 3/8 - 16 x 1 1/4            |
| 18      | 634A101  | Drawbar W/weld nuts   | 54      | 7070E    | Sq. key 1/4 x 2 1/2                           |
| 19      | 6477H    | Range shift rod   | 55      | 126845   | Sq. neck carriage bolt 1/2 - 13 x 1 1/4       |
| 20      | 456723   | Cotter pin 3/16 x 1   | 56      | 9415629  | Sq. short neck carriage bolt 3/8 - 16 x 1 1/4 |
| 21      | 6459H    | Transmission bracket  | 57      | 122253   | Hex bolt 7/16 - 14 x 1                        |
| 22      | 6442H    | Shift rod bracket   | 58      | 122267   | Hex bolt 7/16 - 14 x 1 1/4                    |
| 23      | 19292016 | Washer 57/64 x 1 1/4 x 16 Ga.                               | 59      | 122119   | Hex bolt 3/8 - 16 x 3/4                       |
| 24      | 4766H    | Bearing   | 60      | 120233   | Hex bolt 3/8 - 16 x 1                         |
| 25      | 634A14   | Hanger rear   | 61      | 122007   | Hex bolt 5/16 - 18 x 3/4                      |
| 26      | 634A217  | Chassis assembly W/bearings                                 | 62      | 1304H    | Hub bolt                                      |
| 27      |          | Model plate   | 63      | 122145   | Hex bolt 3/8 - 16 x 1 1/4                     |
| 28      | 6468H    | Bearing   | 64      | 19171911 | Washer 17/32 x 1-3/16 x 11 Ga.                |
| 29      | 19252016 | Washer 49/64 x 1 1/4 x 16 Ga.                               | 65      | 120384   | Lock washer 1/2                               |
| 30      | 5949H    | Rubber bushing  | 66      | 120378   | Hex nut 1/2 - 13                              |
| 31      | 8294H    | Steering wheel  | 67      | 131099   | Lockwasher 3/8                                |
| 32      | 98000097 | E ring truarc #5100-75                                      | 68      | 131100   | Lockwasher 7/16                               |
| 33      | 8109H    | Steering wheel cap  | 69      | 271501   | Hex nut 7/16 - 14                             |
| 34      | 7236H    | Foot rest pad R.H.  | 70      | 120638   | Lock washer 5/16                              |
| 35      | 19211612 | Washer 21/32 x 1 x 12 Ga.                                   | 71      | 5394H    | Lock nut 3/8 - 16                             |
| 36      | 634A113  | Foot rest W/bolts R.H.                                      | 72      | 7259H    | Tube 8.50 x 12                                |
| 37      | 634A213  | Fender and brace R.H.                                       |         |          |   |



SEARS SUPER 12 TRACTOR - MODEL NUMBER 917.25311

another free manual from www.searstractormanuals.com



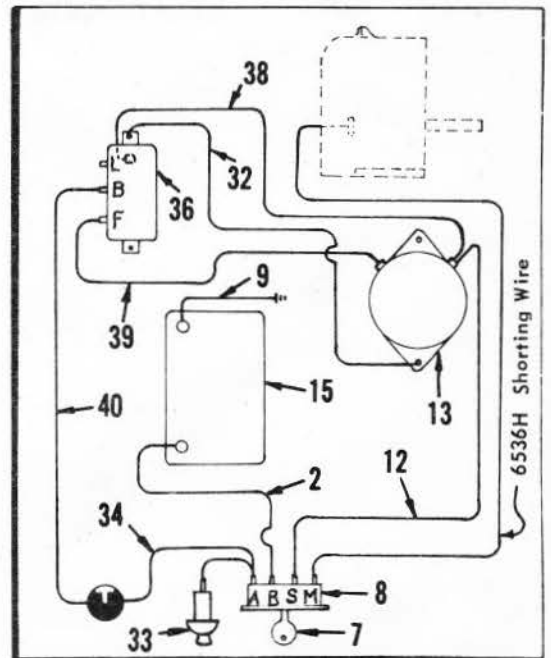
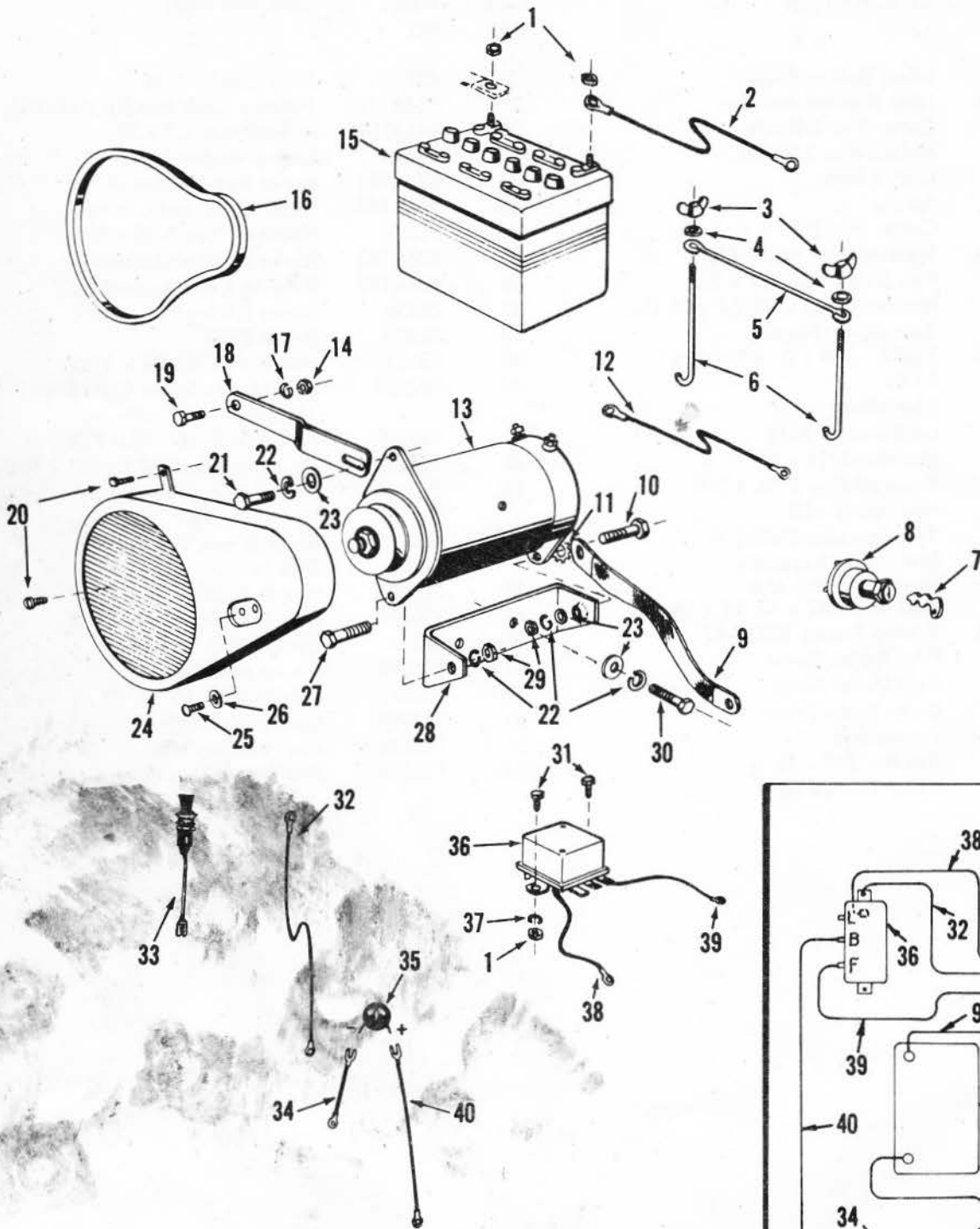
## SEARS SUPER 12 TRACTOR - MODEL NUMBER 917.25311

## PARTS LIST

| KEY NO. | PART NO. | DESCRIPTION                       | KEY NO. | PART NO. | DESCRIPTION                                    |
|---------|----------|-----------------------------------|---------|----------|--|
| 1       | 634A86   | Idler, Bolt and Nut               | 28      | 4379H    | Shift Handle Grip                              |
| 2       | 634A24A  | Idler Bracket and Pin             | 29      | 634A170  | Parking Lock Handle Assembly                   |
| 3       | 177923   | Cotter Pin 1/8 x 3/4              | 30      | 9414016  | Nylock Nut 3/8 - 24                            |
| 4       | 9414016  | Nylock Nut 3/8 - 24               | 31      | 5999H    | Spring Washer                                  |
| 5       | 6406H    | Clutch Rod                        | 32      | 634A193  | Brake Rod Weldment                             |
| 6       | 6486H    | Spring                            | 33      | 634A167  | Brake Band and Lining                          |
| 7       | 456723   | Cotter Pin 3/16 x 1               | 34      | 2228M    | Woodruff Key 3/16 x 3/4                        |
| 8       | 626A31A  | Steering Arm Assembly             | 35      | 634A168  | Brake Bracket Assembly                         |
| 9       | 122320   | Hex Bolt 7/16 - 14 x 2 1/2        | 36      | 634A169  | Parking Lock Assembly                          |
| 10      | 120395   | Washer 15/32 x 59/64 x 16 Ga.     | 37      | 7645H    | Brake Lining                                   |
| 11      | 6479H1   | Belt Guide Finger                 | 38      | 7648H    | Brake Drum                                     |
| 12      | 09151811 | Washer .469 I.D. x 1-1/8 x 11 Ga. | 39      | 120647   | Hex Bolt 3/8 - 24 x 1 Pltd.                    |
| 13      | 6635H    | Flat Idler                        | 40      | 102881   | Sq. Hd. Set Screw C.P. 5/16 - 18 x 1/2         |
| 14      | 131100   | Lockwasher 7/16                   | 41      | 120229   | Hex Bolt 5/16 - 18 x 7/8                       |
| 15      | 271501   | Hex Nut 7/16 - 14                 | 42      | 126203   | Sq. Neck Carriage 1/4 - 20 x 5/8               |
| 16      | 9858M1   | Woodruff Key 3/16 x 5/8           | 43      | 21230612 | Flat Hd. Machine Screw Undercut 3/8 - 16 x 3/4 |
| 17      | 120371   | Hex Nut 1/2 - 20                  | 44      | 426173   | Rivet Brass Tubular #4 x 1/4                   |
| 18      | 6461H2   | Transmission Pulley               | 45      | 122126   | Hex Bolt 3/8 - 16 x 7/8                        |
| 19      | 634A33   | Brake Arm Assembly                | 46      | 120228   | Hex Bolt 5/16 - 18 x 5/8                       |
| 19A     | 8427H    | Spring - Clutch arm               | 47      | 1685H    | Lock Nut 5/16 - 18                             |
| 20      | 120394   | Washer 13/32 x 13/16 x 16 Ga.     | 48      | 131098   | Lockwasher 1/4                                 |
| 21      | 98000072 | E Ring Truarc #5133-62            | 49      | 120375   | Hex Nut 1/4 - 20                               |
| 22      | 8156H    | Foot Pedal Cover                  | 50      | 131099   | Lockwasher 3/8                                 |
| 23      | 8157H    | Foot Pedal Shaft                  | 51      | 120638   | Lockwasher 5/16                                |
| 24      | 7638H    | Brake Rod - Front                 | 52      | 120376   | Hex Nut 5/16 - 18                              |
| 25      | 6417H    | Turnbuckle                        |         |          |  |
| 26      | 120377   | Hex Nut 3/8 - 16                  |         |          |  |
| 27      | 6000H    | Large Flange Nut                  |         |          |  |

SEARS SUPER 12 TRACTOR - MODEL NUMBER 917.25311

another free manual from [www.searstractormanuals.com](http://www.searstractormanuals.com)



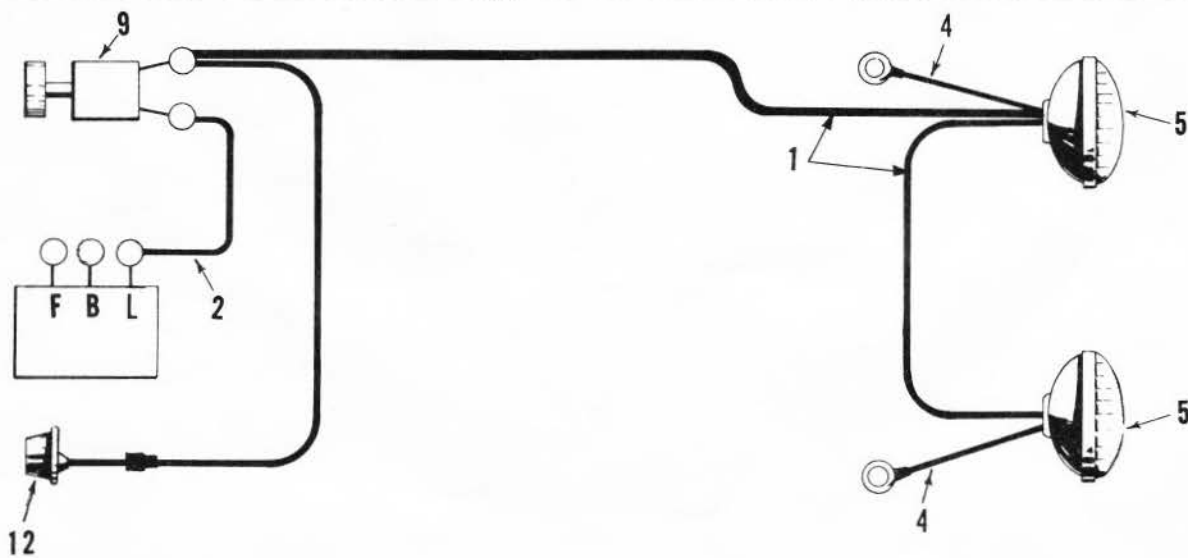
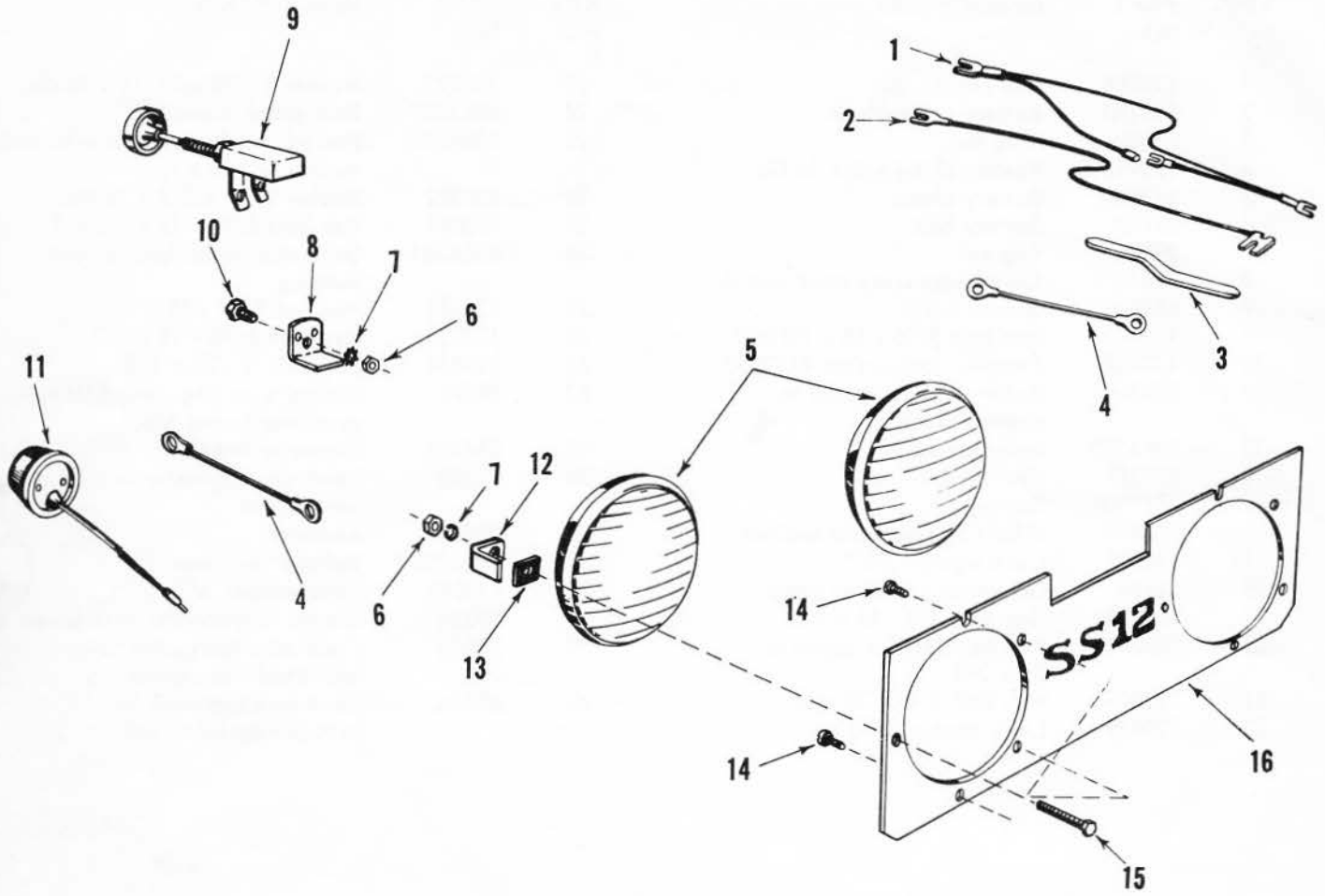


## SEARS SUPER 12 TRACTOR - MODEL NUMBER 917.25311

## PARTS LIST

| KEY NO. | PART NO. | DESCRIPTION                             | KEY NO. | PART NO. | DESCRIPTION   |
|---------|----------|---|---------|----------|---|
| 1       | 120375   | Hex nut 1/4 - 20                        | 23      | 120393   | Washer 11/32 x 11/16 x 16 Ga.                         |
| 2       | 6121H1   | Battery cable black                     | 24      | 606A327  | Belt guard assembly                                   |
| 3       | 3748M    | Wing nut                                | 25      | 14670408 | Pan hd. machine screw with lock washer 1/4 - 20 x 1/2 |
| 4       | 19091216 | Washer 17/64 x 3/4 x 16 Ga.             | 26      | 120392   | Washer 9/32 x 5/8 x 16 Ga.                            |
| 5       | 5110H    | Battery clamp                           | 27      | 180081   | Hex bolt 5/16 - 18 x 1 1/4 H.T.                       |
| 6       | 5072H    | Battery bolt                            | 28      | 606A361  | Generator mount bracket and bushing                   |
| 7       | 5913H    | Key set                                 | 29      | 120376   | Hex nut 5/16 - 18                                     |
| 8       | 6984H    | Keyed accessory start switch            | 30      | 120229   | Hex bolt 5/16 - 18 x 7/8                              |
| 9       | 6534H    | Ground cable                            | 31      | 120854   | Hex bolt 1/4 - 20 x 5/8                               |
| 10      | 180085   | Hex bolt 5/16 - 18 x 1 1/4 H.T.         | 32      | 5959H    | Ground wire (regulator bolt to generator frame) black |
| 11      | 138489   | External lockwasher #112000             | 33      | 634A76   | Cigarette lighter                                     |
| 12      | 6593H    | Battery cable (switch to starter) black | 34      | 7249H    | Lead wire (ammeter to ignition switch) red            |
| 13      | 606A325  | Motor generator                         | 35      | 6987H1   | Ammeter   |
| 14      | 120377   | Hex nut 3/8 - 16                        | 36      | 606A190  | Voltage regulator                                     |
| 15      | 5111H2   | Battery                                 | 37      | 131098   | Lock washer 1/4"                                      |
| 16      | 3754H1   | V belt (generator to engine)            | 38      | 5803H    | Ground to generator wire brown                        |
| 17      | 131099   | Lock washer 3/8"                        | 39      | 5804H    | Field wire (generator to regulator) light green       |
| 18      | 6419H    | Generator adjusting strap               | 40      | 6994H    | Lead wire (ammeter to voltage regulator) red          |
| 19      | 120233   | Hex bolt 3/8 - 16 x 1                   |         |          |   |
| 20      | 14690406 | Pan hd. machine screw 1/4 - 28 x 3/8    |         |          |   |
| 21      | 122007   | Hex bolt 5/16 - 18 x 3/4                |         |          |   |
| 22      | 120638   | Lock washer 5/16                        |         |          |   |

SEARS SUPER 12 TRACTOR - MODEL NUMBER 917.25311

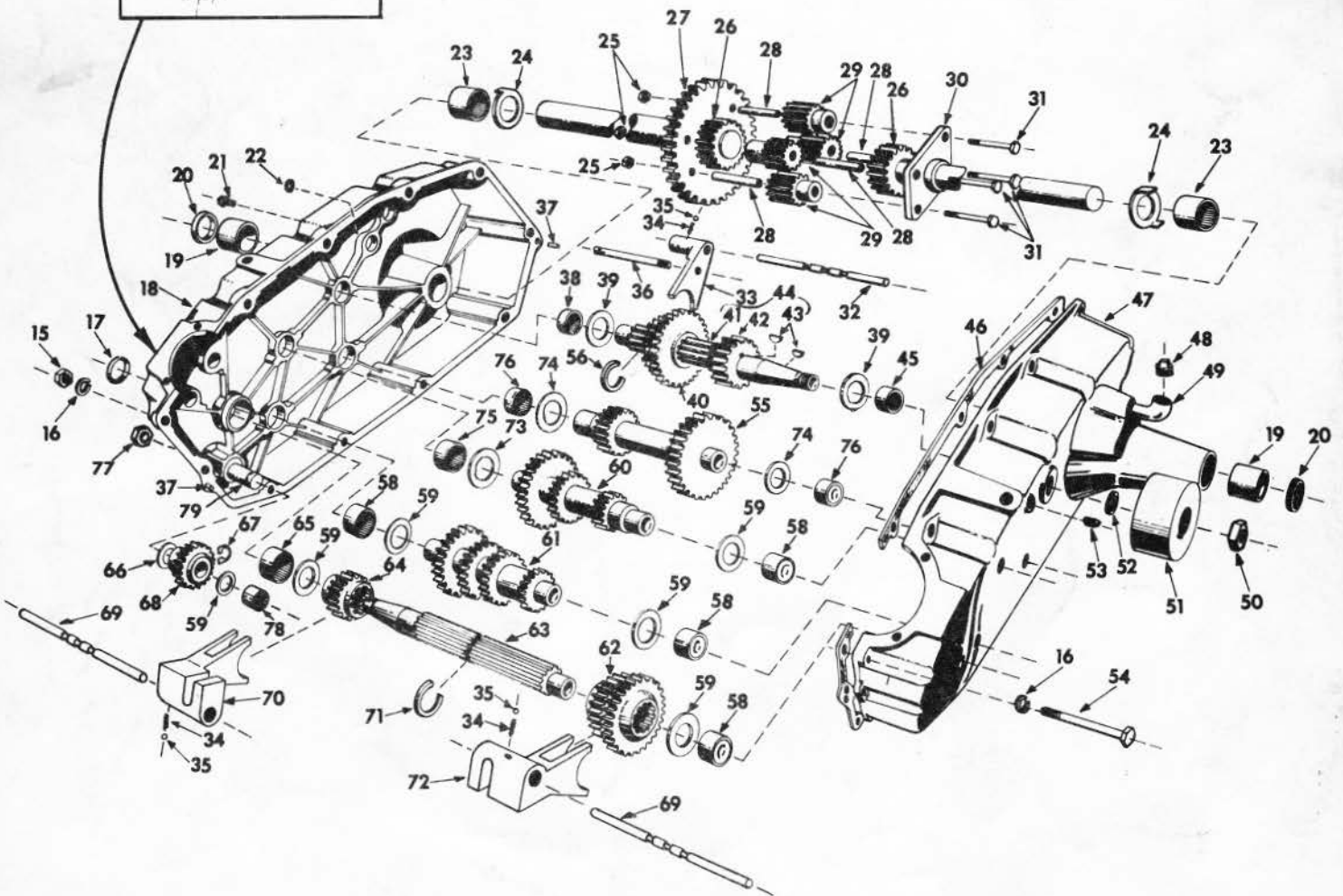
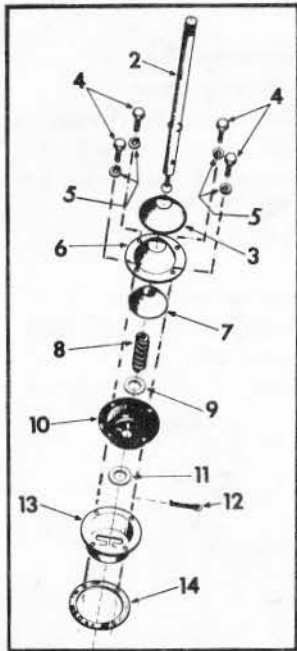


another free manual from [www.searstractormanuals.com](http://www.searstractormanuals.com)

## SEARS SUPER 12 TRACTOR - MODEL NUMBER 917.25311

| KEY NO. | PART NO. | DESCRIPTION                                     | KEY NO.                                 | PART NO. | DESCRIPTION   |
|---------|----------|---|---|----------|---|
| 1       | 8147H    | Lead wire (headlight to switch)                 | 12                                      | 7029H    | Mounting clip   |
| 2       | 6538H    | Lead wire (regulator to switch)                 | 13                                      | 7032H    | Rubber spacer   |
| 3       | 6541H    | Tie   | 14                                      | 04881004 | Slotted pan hd. thread cutting screw<br>#10 - 24 x 1/4 type T |
| 4       | 7035H    | Ground wire (head light to ground)              | 15                                      | 21351014 | Slotted rd. hd. mach. screw<br>#10 - 24 x 7/8                 |
| 5       | 7034H    | Head light                                      | 16                                      | 8168H    | Grill light panel   |
| 6       | 120361   | Hex nut #10 - 24                                | Not illustrated -- parts for tail light |          |   |
| 7       | 131096   | Lockwasher #10                                  | 17                                      | 8291H    | Bulb 2 C.P. #G.E. 1895  |
| 8       | 8143H    | Tail light bracket                              | 18                                      | 8292H    | Lens red  |
| 9       | 5735H    | Light switch                                    | 19                                      | 8293H    | Housing   |
| 10      | 187463   | Slotted truss hd. mach. screw<br>#10 - 24 x 1/2 |   |          |   |
| 11      | 8089H    | Tail light                                      |   |          |   |

SEARS SUPER 12 TRACTOR - MODEL NUMBER 917.25311



another free manual from [www.searstractormanuals.com](http://www.searstractormanuals.com)