



**MODEL NO.
917.253 130**

OWNER'S MANUAL

**Assembly
Operation**

**Maintenance
Repair Parts**

ELECTRIC 3-POINT HITCH

**IMPORTANT:
READ RULES FOR
SAFE OPERATION
AND INSTRUCTIONS
CAREFULLY**

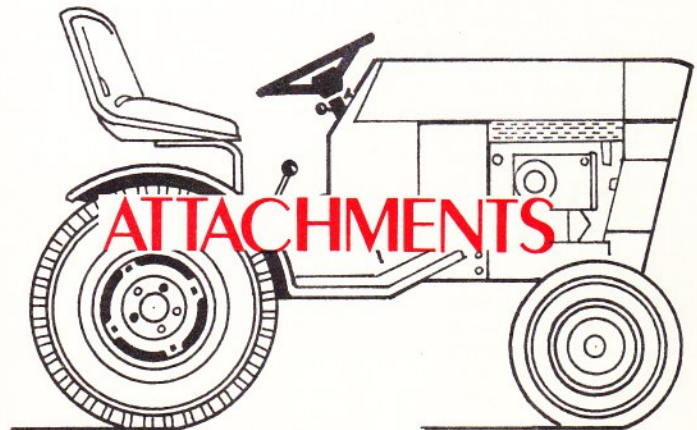


TABLE OF CONTENTS

ASSEMBLY INSTRUCTIONS	1	MAINTENANCE INSTRUCTIONS	4
OPERATION INSTRUCTIONS	4	REPAIR PARTS	5

WARRANTY FULL ONE YEAR WARRANTY

For one year from date of purchase, Sears will repair any defect in material or workmanship in this tractor attachment, at no charge.

If the tractor attachment is used for commercial or rental purposes, this warranty applies for only thirty days from date of purchase.

Warranty service is available by simply contacting your nearest Sears store throughout the United States.

This warranty gives you specific legal rights, and you may have other rights which vary from state to state.

SEARS, ROEBUCK AND CO.
Sears Tower
BSC 41-3
Chicago, IL 60684

RULES FOR SAFE OPERATION

1. Know the controls and how to stop quickly. READ THE OWNER'S MANUAL.
2. Do not allow children to operate the vehicle. Do not allow adults to operate it without proper instruction.
3. Do not carry passengers. Keep children and pets a safe distance away.
4. Always wear substantial footwear. Do not wear loose fitting clothing that could get caught in moving parts.
5. Keep your eyes and mind on your tractor, mower and the area being cut. Don't let other interests distract you.
6. Do not attempt to operate your tractor or mower when not in drivers seat.
7. Always get on or off your tractor from the operators left hand side.
8. Clear the work area of objects which might be picked up and thrown.
9. Disengage all attachment clutches and shift into neutral before attempting to start the engine.
10. Disengage power to attachments and stop the engine before leaving the operator's position.
11. Disengage power to mower, stop the engine and disconnect spark plug wire(s) from spark plug(s) before cleaning, making an adjustment or repairs.
12. Disengage power to attachments when transporting or not in use. Drive slowly when rear mounted attachment is in transport position.
13. Take all possible precautions when leaving the vehicle unattended, such as disengaging the power-take-off, lowering the attachments, shifting into neutral, setting the parking brake, stopping the engine, and removing the key.
14. Do not stop or start suddenly when going uphill or downhill. Mow up and down the face of slopes (not greater than 15°); never across the face.
15. Reduce speed on slopes and make turns gradually to prevent tipping or loss of control. Exercise extreme caution when changing direction on slopes.
16. Do not shift gears while going up or down slopes. Choose a gear low enough to negotiate the slope without stopping and shifting gears. To reduce speed, move throttle lever to slow.
17. Never mow in wet or slippery grass, when traction is unsure or at a speed which could cause a skid.
18. Stay alert for holes in the terrain and other hidden hazards.
19. Do not drive too close to creeks, ditches and public highways.
20. Exercise special care when mowing around fixed objects in order to prevent the blades from striking them. Never deliberately run tractor or mower into or over any foreign object.
21. Never shift gears until tractor comes to a stop.
22. Never place hands or feet under the mower, in the deflector (discharge chute) or near any moving parts while tractor or mower are running. Always keep clear of discharge chute.
23. Use care when pulling loads or using heavy equipment.
 - a. Use only approved drawbar hitch points.
 - b. Limit loads to those you can safely control.
 - c. Do not turn sharply. Use care when backing.
 - d. Use counterweights or wheel weights when suggested in this owner's manual.
24. Watch out for traffic when crossing or near roadways.
25. When using any attachments, never direct discharge of material toward bystanders nor allow anyone near the vehicle while in operation.
26. Handle gasoline with care - it is highly flammable.
 - a. Use approved gasoline containers.
 - b. Never remove the cap of the fuel tank or add gasoline to a running or hot engine, or fill the fuel tank indoors. Wipe up spilled gasoline.
 - c. Open doors if the engine is run in the garage - exhaust fumes are dangerous. Do not run the engine indoors.
27. Keep the vehicle and attachments in good operating condition, and keep safety devices in place. When using Three Point Hitch remove attachment from hitch before making any repairs on attachment or hitch.
28. Keep all nuts, bolts and screws tight, all cotter pins and retainer springs in place to be sure the equipment is in safe working condition.
29. Never store the equipment with gasoline in the tank inside a building where fumes may reach an open flame or spark. Allow the engine to cool before storing in any enclosure.
30. To reduce fire hazard, keep the engine free of grass, leaves or excessive grease.
31. The vehicle and attachments should be stopped and inspected for damage after striking a foreign object, and the damage should be repaired before restarting and operating the equipment.
32. Do not change the engine governor settings or overspeed the engine.
33. When using the vehicle with mower, proceed as follows:
 - a. Mow only in daylight or in good artificial light.
 - b. Never make a cutting height adjustment while the engine is running if the operator must dismount to do so.
 - c. Shut the engine off when removing the grass catcher or unclogging chute.
 - d. Check the blade mounting bolts for proper tightness at frequent intervals.
34. Check the grass catcher bags frequently for wear or deterioration. Replace with new bags for safety protection.



LOOK FOR THIS SYMBOL TO POINT OUT IMPORTANT SAFETY PRECAUTIONS. IT MEANS--ATTENTION! BECOME ALERT! YOUR SAFETY IS INVOLVED.

ASSEMBLY

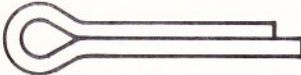
To assemble your Hitch you will need:

- (1) Pliers
- (1) 3/4" Wrench
- (1) 5/8" Wrench
- (1) Ruler
- (1) 11/16" Wrench

When R.H. (Right Hand) or L.H. (Left Hand) is used, it means from a position behind the steering wheel as if you were seated on the tractor seat and facing forward.

INSTRUCTIONS FOR SEARS TRACTORS (EXCEPT MODELS 10/6, 12/6 AND 14/6)

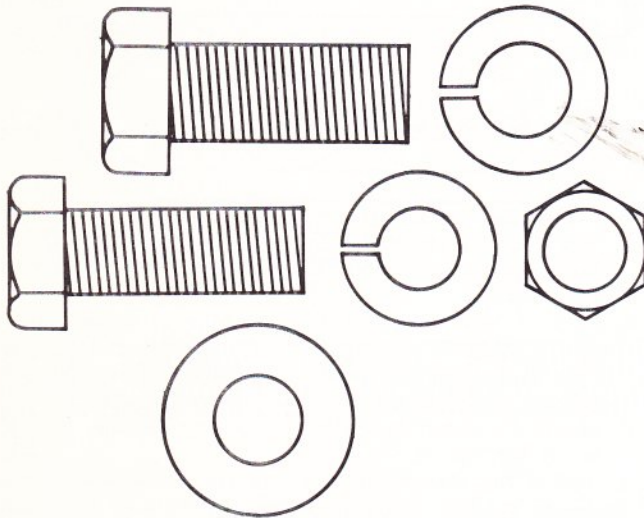
1. Install Lower Link Pin using:



two Cotter Pins found in bag of parts.

- a. Slip Lower Link Pin through holes in sides of Tractor Drawbar by inserting Pin through opening between web and rim of wheel. In some cases it may be necessary to remove one wheel (Fig. 1).
- b. Insert and spread Cotter Pins through inner holes of Lower Link Pin (underneath Drawbar).

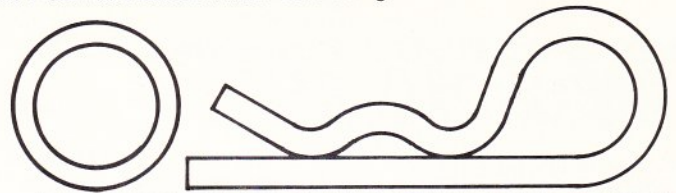
2. Assemble Attaching Plate Weldment to Tractor Drawbar using:



two (1/2 x 1 - 1/4) Hex Bolts, two Lockwashers (1/2"), three (7/16 x 1 - 1/4) Hex Bolts, three Lockwashers (7/16"), one Flat Washer and three Hex Nuts (7/16") found in bag of parts.

- a. Using the two upper holes (A) in Attaching Plate and Tractor Drawbar, loosely assemble Plate to Drawbar using two (1/2") Hex Bolts and Lockwashers (Fig. 2). Lockwashers must be next to heads of Bolts. Drawbar has nuts secured to underside.
- b. Using the two lower holes (B) in Attaching Plate and Drawbar, assemble Plate to Drawbar using two (7/16") Hex Bolts, Lockwashers and Hex Nuts. Tighten these and upper Bolts securely.
- c. Using hole (C) in Attaching Plate, assemble Plate to Drawbar with a (7/16") Hex Bolt, Flat Washer, Lockwasher and Hex Nut. Position Flat Washer to underside of Drawbar. Tighten securely.

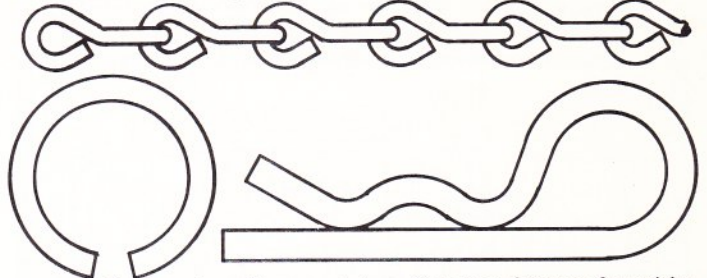
3. Assemble Lower Hitch Bars using:



two Spacers and two Retainer Springs found in bag of parts.

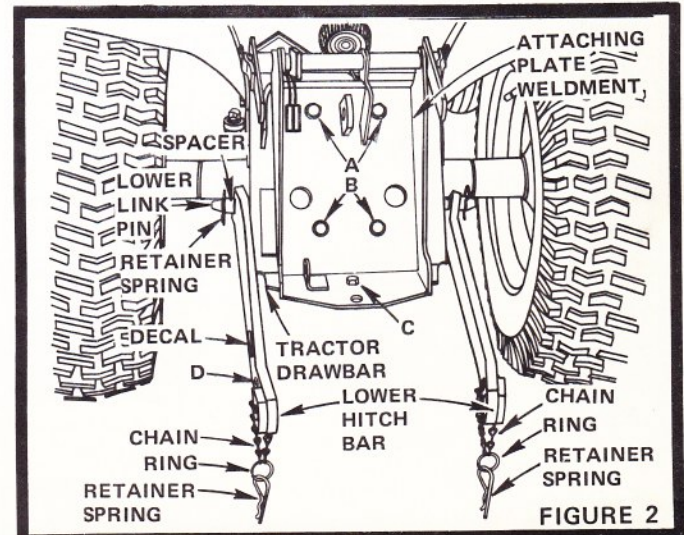
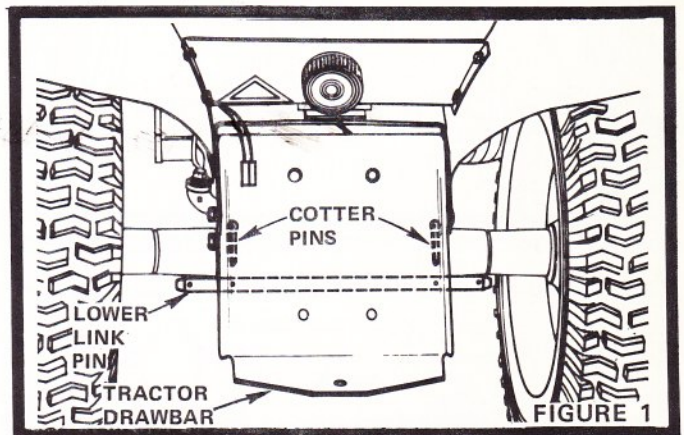
- a. Assemble a Lower Hitch Bar over the R.H. end of the Lower Link Pin (Fig. 2). Decals on Lower Hitch Bars show correct positioning.
- b. Place a Spacer over the Lower Link Pin and secure with a Retainer Spring.
- c. Repeat steps a and b for L.H. side.

4. Assemble Chains, Rings and Retainer Springs to Lower Hitch Bars using:



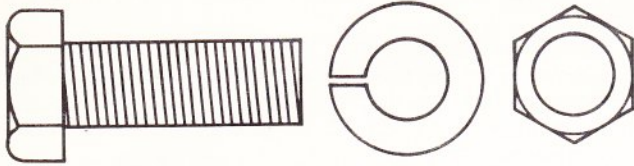
two Chains, two Rings and two Retainer Springs found in bag of parts.

- a. Place Chain through hole (D) in Lower Hitch Bar-R.H. side (Fig. 2).
- b. Place a Retainer Spring on Ring.
- c. Position the two end links of Chain over Ring and squeeze Ring tightly to secure Chain and Retainer Spring.
- d. Repeat steps a, b and c for L.H. side.



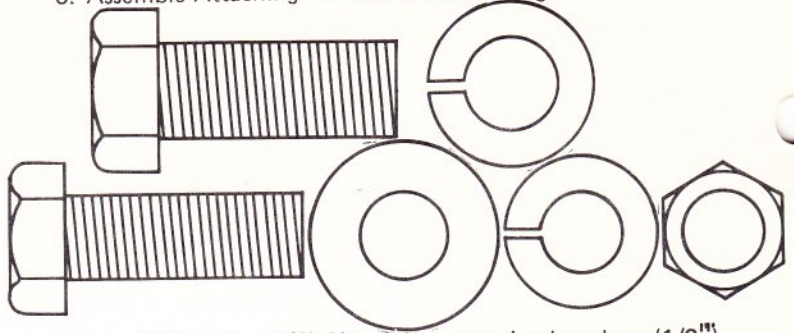
INSTRUCTIONS FOR TRACTOR (MODELS 10/6, 12/6 AND 14/6 ONLY)

5. Assemble Lower Hitch Bar Bracket to Tractor Drawbar using:



- Position Lower Hitch Bar Bracket to underside of Tractor Drawbar as shown in Fig. 3.
- Secure Bracket to Drawbar with two Hex Bolts, two Lockwashers and two Hex Nuts. Tighten Nuts securely.

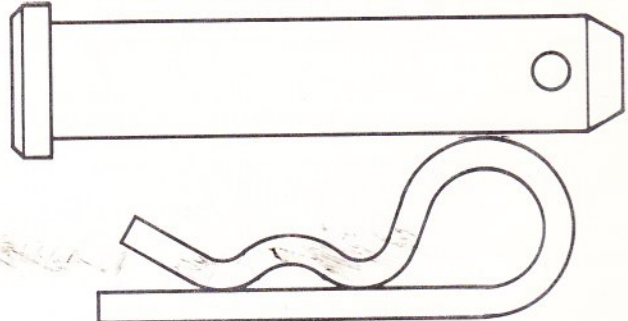
6. Assemble Attaching Plate to Drawbar using:



two (1/2 x 1 - 1/4) Hex Bolts, two Lockwashers (1/2"), three (7/16 x 1 - 1/4) Hex Bolts, three Lockwashers (7/16"), one Flat Washer and three Hex Nuts (7/16") found in bag of parts.

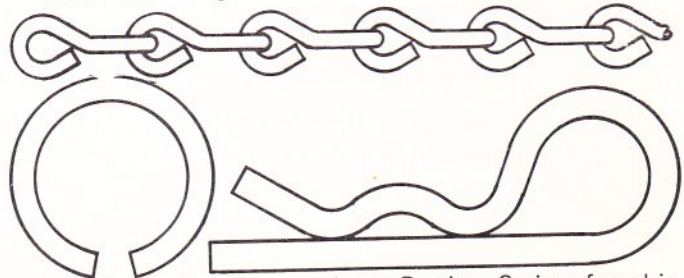
- Using the two upper holes (A) in Attaching Plate and Tractor Drawbar, loosely assemble Plate to Drawbar using two (1/2") Hex Bolts and Lockwashers (Fig. 4). Lockwashers must be next to heads of Bolts. Drawbar has nuts secured to underside.
- Using the two lower holes (B) in Attaching Plate and Drawbar, assemble Plate to Drawbar using two (7/16") Hex Bolts, Lockwashers and Hex Nuts. Tighten these and upper Bolts securely.
- Using hole (C) in Attaching Plate, assemble Plate to Drawbar with a (7/16") Hex Bolt, Flat Washer, Lockwasher and Hex Nut. Position Flat Washer to underside of Drawbar. Tighten securely.

7. Assemble Lower Hitch Bars using:



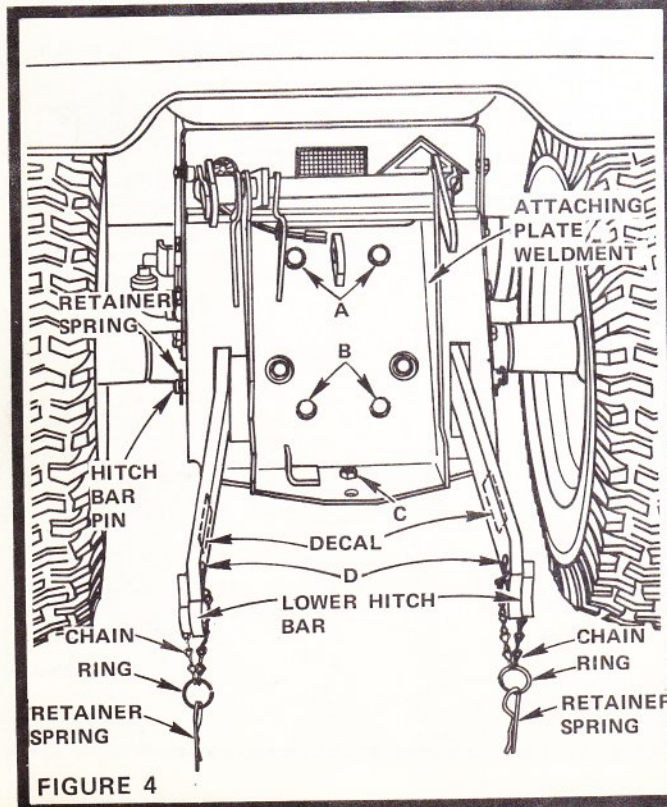
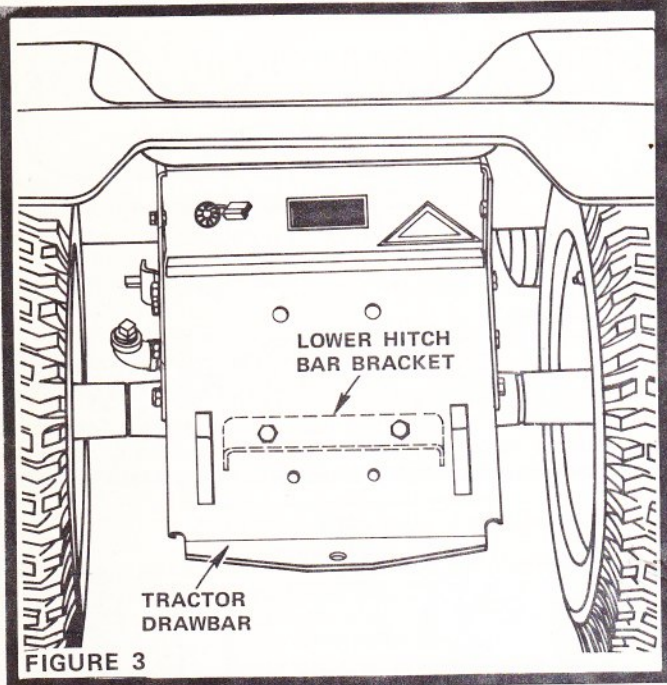
two Hitch Bar Pins and two Retainer Springs.

- Slip a Lower Hitch Bar through slot in Tractor Drawbar (Fig. 4). Decals on Lower Hitch Bars show correct positioning.
 - Place a Hitch Bar Pin through hole in Lower Hitch Bar Bracket. Line up hole in Lower Hitch Bar with hole in Tractor Drawbar. Slide Hitch Bar Pin through hole in Lower Hitch Bar and Tractor Drawbar.
 - Secure by inserting a Retainer Spring through hole in Hitch Bar Pin.
 - Follow the above steps for opposite side.
8. Assemble Chains and Retainer Springs to Lower Hitch Bars using:



two Chains, two Rings and two Retainer Springs found in bag of parts.

- Place Chain through hole (D) in Lower Hitch Bar-R.H. side (Fig. 4).
- Place a Retainer Spring on Ring.
- Position the two end links of Chain over Ring and squeeze Ring tightly to secure Chain and Retainer Spring.
- Repeat steps a, b and c for L.H. side.



INSTRUCTIONS FOR ALL MODEL TRACTORS

9. Assemble Lift Links using:



four Cotter Pins found in bag of parts.

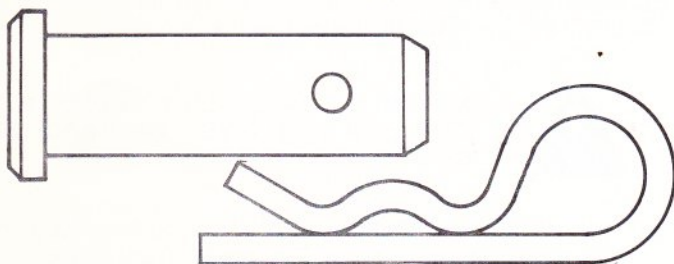
LEFT HAND SIDE:

- Assemble Lift Link-L.H. to Lift Arm. Position as shown in Fig. 5.
- Assemble opposite end of Lift Link-L.H. to Lower Hitch Bar. Secure with Cotter Pin.

RIGHT HAND SIDE:

- Loosen Locknut and adjust Turnbuckle equally on Upper and Lower Lift Links to obtain length of 8 - 7/8 inches from Lift Link ends, center to center. Tighten Locknut against Turnbuckle (Fig. 5).
- Insert Upper Lift Link into hole of Lift Arm. Secure with Cotter Pin.
- Insert Lower Lift Link into hole of Lower Hitch Bar as shown. Secure with Cotter Pin.

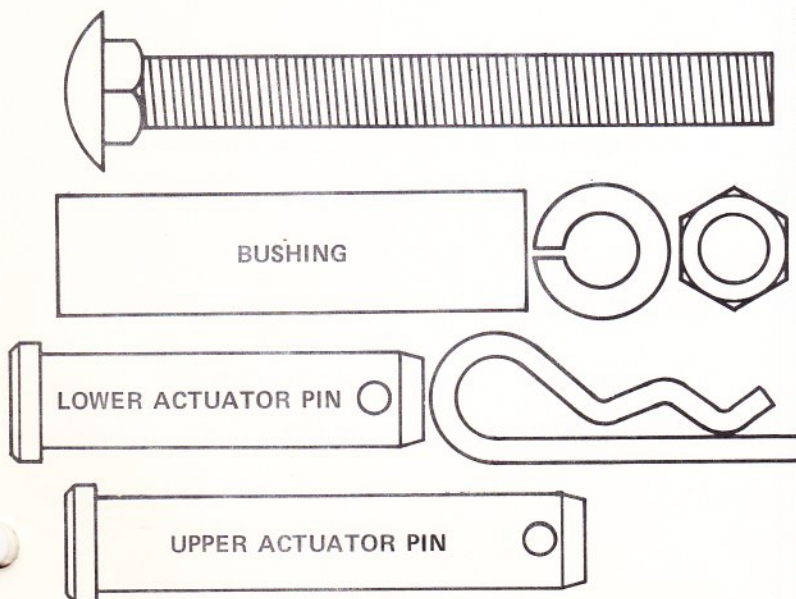
10. Assemble Clevises and Pins using:



two Clevis Pins and two Retainer Springs shipped in bag of parts.

- Turn Clevises equally on Adjusting Screw to obtain length of 11 - 3/8 inches, hole center to hole center. NOTE: It may be necessary to loosen Adjusting Screw Locknut. Tighten Locknut against Clevis after adjustment.
- Secure Tractor Clevis-R.H. (with flat up) to Bracket with a Clevis Pin. Secure with a Retainer Spring.
- Place the other Clevis Pin into Attachment Clevis-L.H. and secure with Retainer Spring.

11. Install Electric Actuator Hitch using:



one Carriage Bolt, one Bushing, one Lockwasher, one Hex Nut, one Lower Actuator Pin, two Retainer Springs, one Upper Actuator Pin (shown full size above) and one Actuator Adapter Weldment and Plastic Cap (Fig. 6).

- Insert Carriage Bolt in inner hole of L.H. Actuator Arm. Slide Bushing over Bolt and insert Bolt into R.H. Actuator Arm. Assemble Lockwasher and Hex Nut loosely (Fig. 6).
- Insert Actuator Adapter Weldment Pins into outer holes of Actuator Arms. Tighten Carriage Bolt and Nut securely.
- Slide Electric Actuator Barrel up into Actuator Adapter Weldment and secure at the top with Upper Actuator Pin and Retainer Spring.
- Slide Electric Actuator rear housing into yoke on Attaching Plate and secure with Lower Actuator Pin and Retainer Spring.
- Push Plastic Cap on top of Actuator Adapter Weldment.
- Plug Electrical Connectors together. Care must be taken so that operating parts do not interfere with wires.

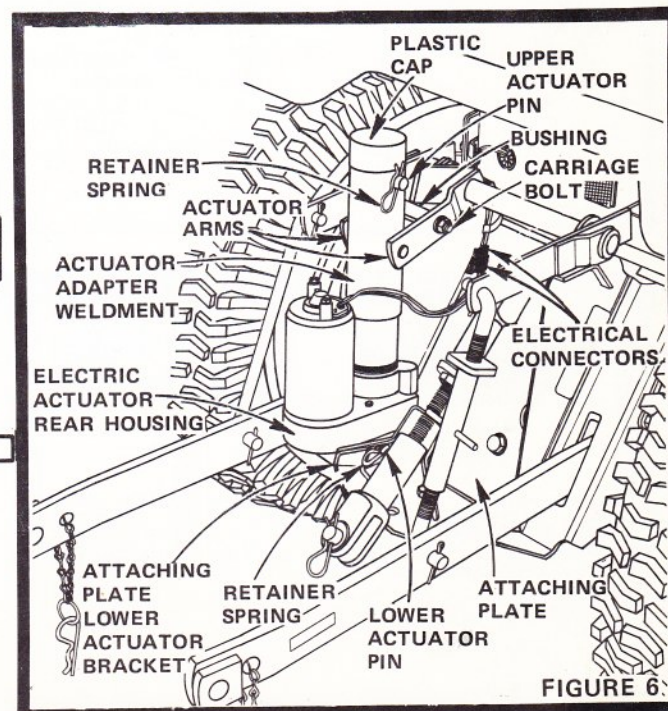
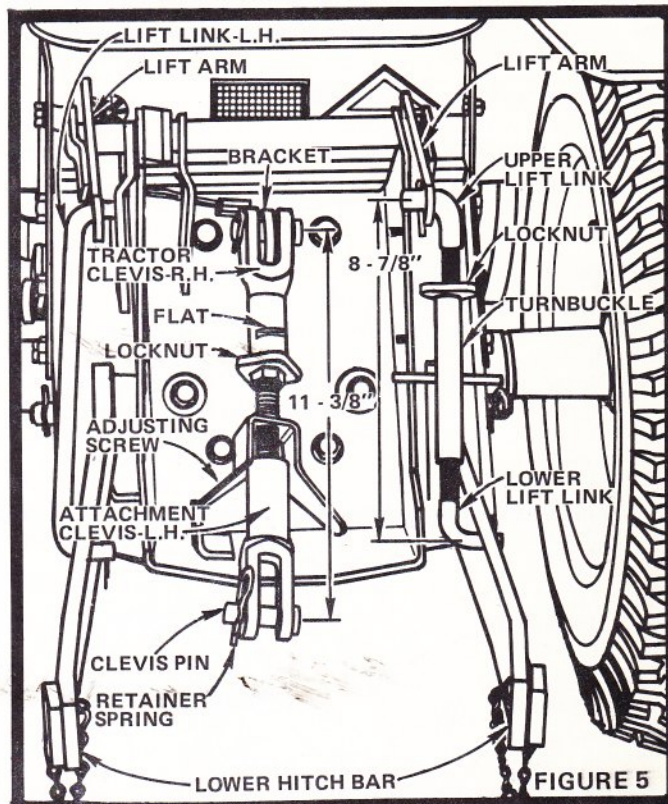


FIGURE 6

ASSEMBLE ATTACHMENT TO HITCH

Figure 7 illustrates a typical attachment mounting at points A, B and C. Instructions are given in each attachment Owners Manual for particular mounting procedures.

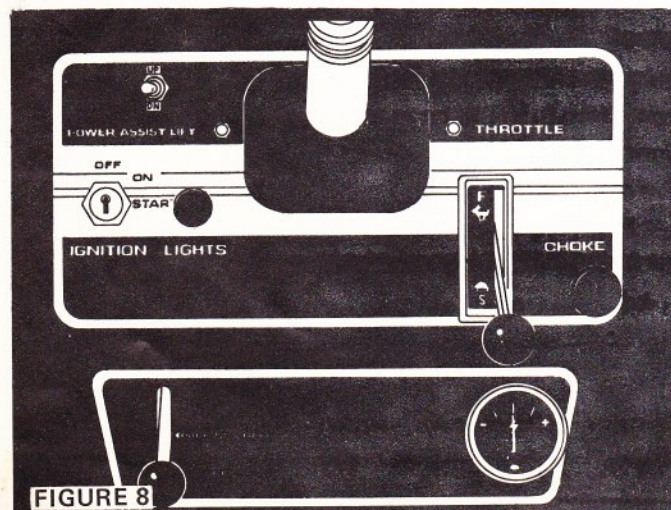
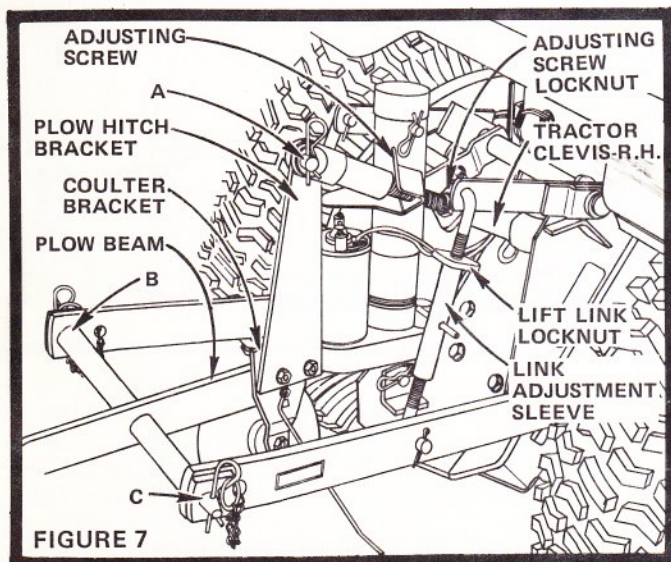
PLOW ADAPTATION

In order to use a Plow with your Electric 3-Point Hitch the Plow Hitch Bracket must be to the right of the Plow Beam and Coulter Bracket (Fig. 7).

ADJUSTMENTS

Instructions are given in each attachment Owners Manual pertaining to its own adjustments. However, the two basic adjustments are as follows.

1. Level Attachment from side to side.
 - a. Loosen Lift Link Locknut (Fig. 7).
 - b. Turn Link Adjustment Sleeve counterclockwise to lengthen linkage.
 - c. After adjusting, tighten Locknut against Link Adjustment Sleeve.
2. Level Attachment from front to rear.
 - a. Loosen Adjusting Screw Locknut.
 - b. Turn Adjusting Screw clockwise to lengthen the top linkage.
 - c. After adjusting, tighten the Adjusting Screw Locknut against the Tractor Clevis-R.H. NOTE: This adjustment is also for setting pitch and/or depth of ground working tool.



INSTRUCTIONS BEFORE OPERATION

Make sure all bolts and nuts are tight, cotter pins are spread and retainer springs are secure.

OPERATION



READ THE "RULES FOR SAFE OPERATION" CAREFULLY BEFORE OPERATING YOUR HITCH.

1. Ignition key must be "ON" to activate hitch.
2. Move Power Assist Lift Switch located on tractor dash to "UP" or "DOWN" position as required (Fig. 8).



NEVER OPERATE LIFT SWITCH EXCEPT WHEN SITTING ON TRACTOR SEAT.

3. You will hear a ratcheting sound to let you know you are fully raised or lowered or overloaded. Turn switch off promptly after ratcheting begins.
4. Hitch should be removed from tractor when not in use.



LIFT ATTACHMENT OUT OF THE GROUND WHEN TURNING CORNERS, REVERSING OR TRANSPORTING.

MAINTENANCE

LUBRICATION

1. The Electric Actuator is lubricated for normal life.
2. Apply a light coat of grease to threaded areas and pivot points.

STORAGE

1. Clean and store in a weather proof, dry building.
2. Apply a light coat of grease to threaded areas and pivot points.

Sears, Roebuck and Co. and Simpsons-Sears Limited reserves the right to make any changes in design or improvements without imposing any obligation to install the same upon its items heretofore manufactured.

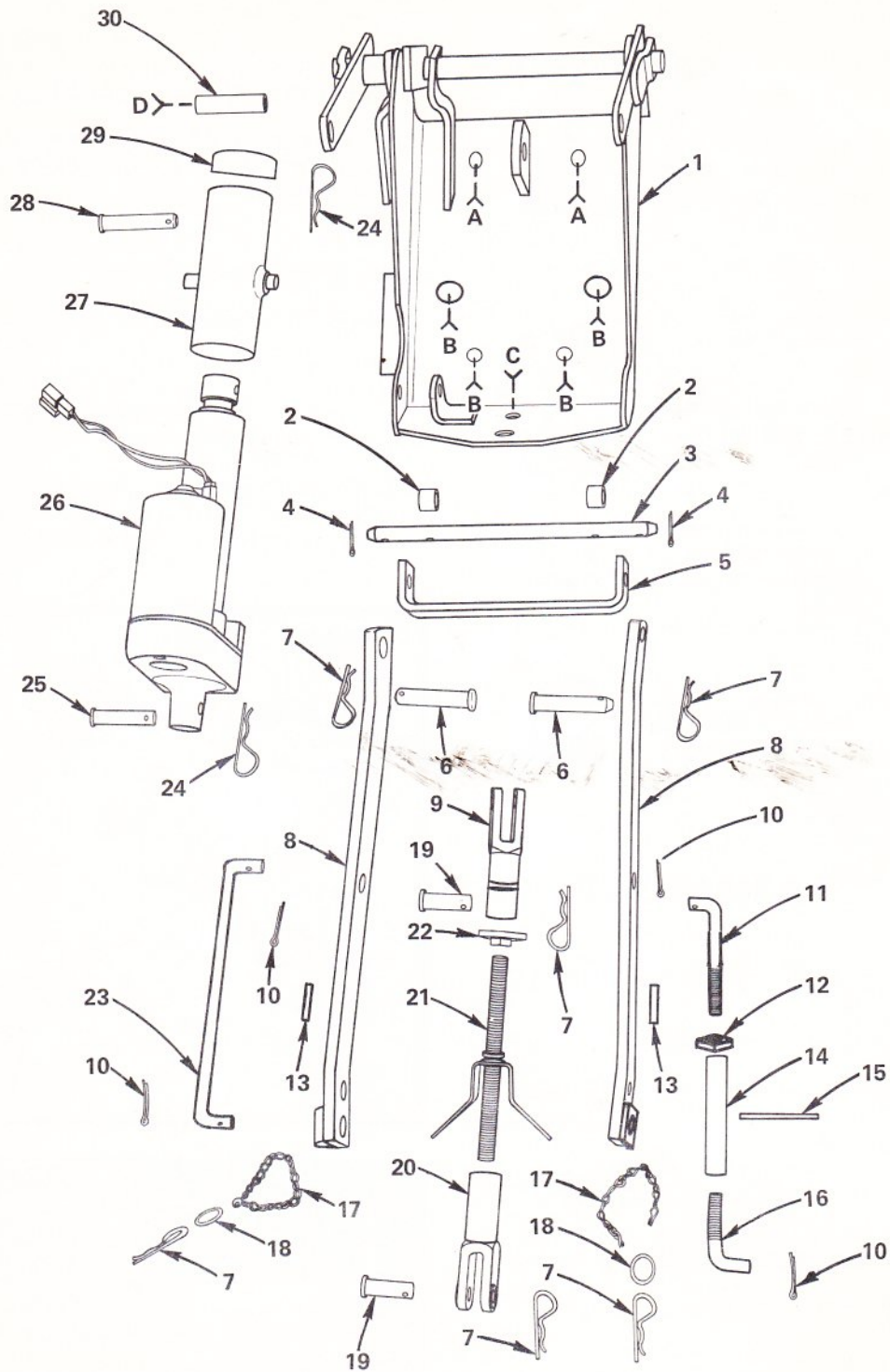
SPECIAL APPLICATION KITS

AVAILABLE THROUGH YOUR NEAREST SEARS SERVICE OR CATALOG OUTLET.

CATALOG NO.	DESCRIPTION
25143	WIRE HARNESS (FOR ADAPTATION OF TRACTORS- FROM 1973-WITHOUT POWER ASSIST LIFT SWITCH)
25146	LIFT LINK KIT (FOR ADAPTATION OF ELECTRIC 3-POINT HITCH FOR USE WITH ROTO-SPADER ATTACHMENT)

REPAIR PARTS

POWER ASSIST LIFT--MODEL NUMBER 917.253130

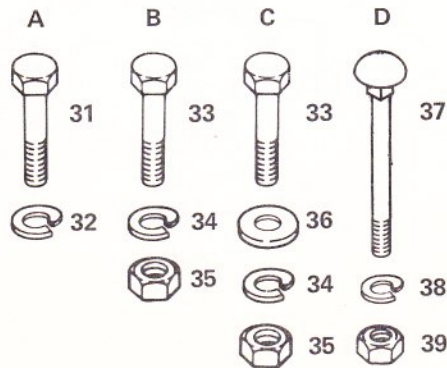


REPAIR PARTS

POWER ASSIST LIFT--MODEL NUMBER 917.253130

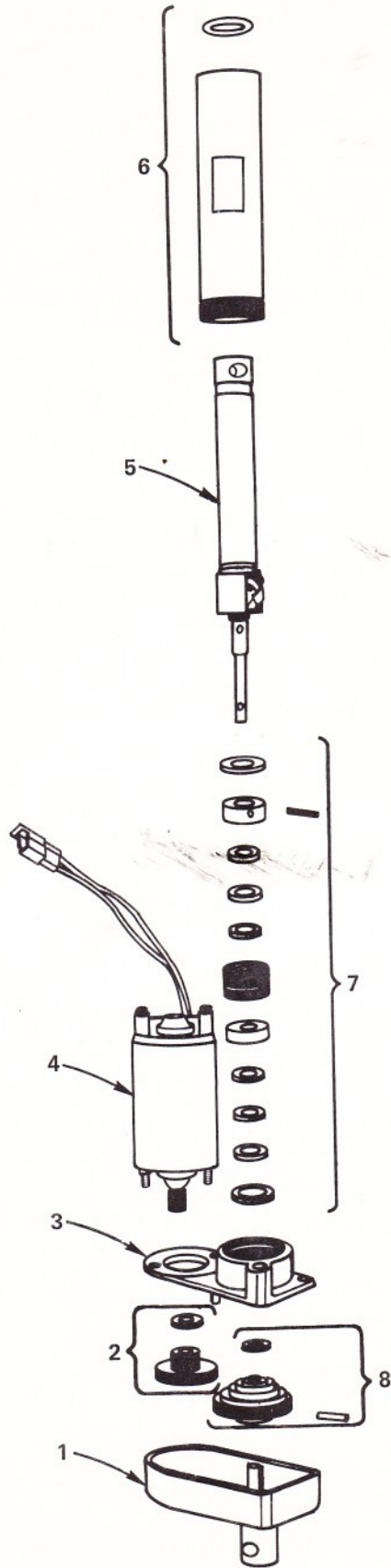
KEY NO.	PART NO.	DESCRIPTION
1	673A43	Attaching Plate Weldment
2	9527R	Spacer
3	1049R	Link Pin - Lower
4	2511P	Cotter Pin 3/16 x 1
5	8961R	Lower Hitch Bar Bracket
6	8955R	Hitch Bar Pin
7	4940M	Retainer Spring
8	673A41	Lower Hitch Bar
9	8975R	Clevis - R.H. Thread
10	2510P	Cotter Pin 5/32 x 1
11	8951R	Lift Link Upper - R.H.
12	8959R	Locknut, Lift Link - R.H.
13	6798H	Scotchcal
14	1525H	Link Adjustment Sleeve
15	9710M	Roll Pin
16	8952R	Lift Link Lower - R.H.
17	8987R	Chain
18	8986R	Ring
19	8940H	Clevis Pin
20	8936H	Clevis - L.H. Thread
21	673A42	Adjusting Screw and Handle
22	8974R	Adjusting Screw Locknut
23	8953R	Lift Link - L.H.
24	4939M	Retainer Spring
25	8978R	Actuator Pin - Lower
26	673A45	Electric Actuator
27	673A68	Actuator Adapter Weldment
28	9286R	Actuator Pin - Upper
29	9611R	Plastic Cap
30	9147R	Actuator Arms Bushing
31	STD525012	*Hex Bolt 1/2 - 13 x 1 - 1/4
32	STD551150	*Lockwasher 1/2 Heavy
33	3035P	Hex Bolt 7/16 - 14 x 1 - 1/4
34	STD551143	*Lockwasher 7/16 Heavy
35	STD541443	*Hex Nut 7/16 - 14 UNC
36	1519P	Washer 15/32 x 1 x 12 Ga.
37	63P	Carriage Bolt, Sq. Neck 3/8 - 16 x 3 - 1/2
38	STD551137	*Lockwasher 3/8
39	STD541437	*Hex Nut 3/8 - 16 UNC
---	9912R	Warranty Tag
---	8994R	Owners Manual

*STANDARD HARDWARE--PURCHASE LOCALLY



REPAIR PARTS

POWER ASSIST LIFT--MODEL NUMBER 917.253130



REPAIR PARTS

POWER ASSIST LIFT--MODEL NUMBER 917.253130

KEY NO.	PART NO.	DESCRIPTION
1	673A112	Rear Housing
2	673A114	Gear, Intermediate
3	673A111	Front Housing Assembly
4	673A113	Motor and Pinion Assembly
5	673A107	Jackscrew Assembly
6	673A108	Cover Tube and "O" Ring Assembly
7	673A109	Brake Assembly
8	673A110	Clutch Assembly
--	673A115	Set of Screws (4 each No. 10 - 24 x 5/8 Torx Pan Hd. Self Tapping Screws and 1 each No. 8 - 32 x 1 Phillips Rd. Hd. Self Tapping Screw)
--	673A116	"O" Ring for Cover Tube

We suggest you take your Electric Actuator to Sears should any difficulty arise. This unit requires special tools to repair.

Sears

MODEL NO.
9 17.253 130

HOW TO ORDER REPAIR PARTS

MODEL NUMBER

The Model Number will be found on the Model Plate attached to the R.H. side of the Attaching Plate Weldment. Always mention the Model Number when requesting service or repair parts for your Electric 3-Point Hitch.

REPAIR PARTS

All parts listed herein may be ordered from any SEARS, ROEBUCK AND CO. or SIMPSONS-SEARS LIMITED retail or catalog store.

WHEN ORDERING REPAIR PARTS, ALWAYS GIVE THE FOLLOWING INFORMATION:

- THE PART NUMBER
- THE PART DESCRIPTION
- THE MODEL NUMBER
- THE NAME OF MERCHANDISE

If the parts you need are not stocked locally, your order will be electronically transmitted to a Sears Repair Parts Distribution Center for "expedited handling".



SEARS SERVICE

Your Sears merchandise takes on added value when you discover the Sears Service Units throughout the country. Each is staffed by Sears-trained, professional technicians using Sears approved parts and methods.

Sears, Roebuck and Co., Chicago, Ill. 60684, U.S.A.
and Simpsons Sears Limited, Toronto, Canada