

Sears

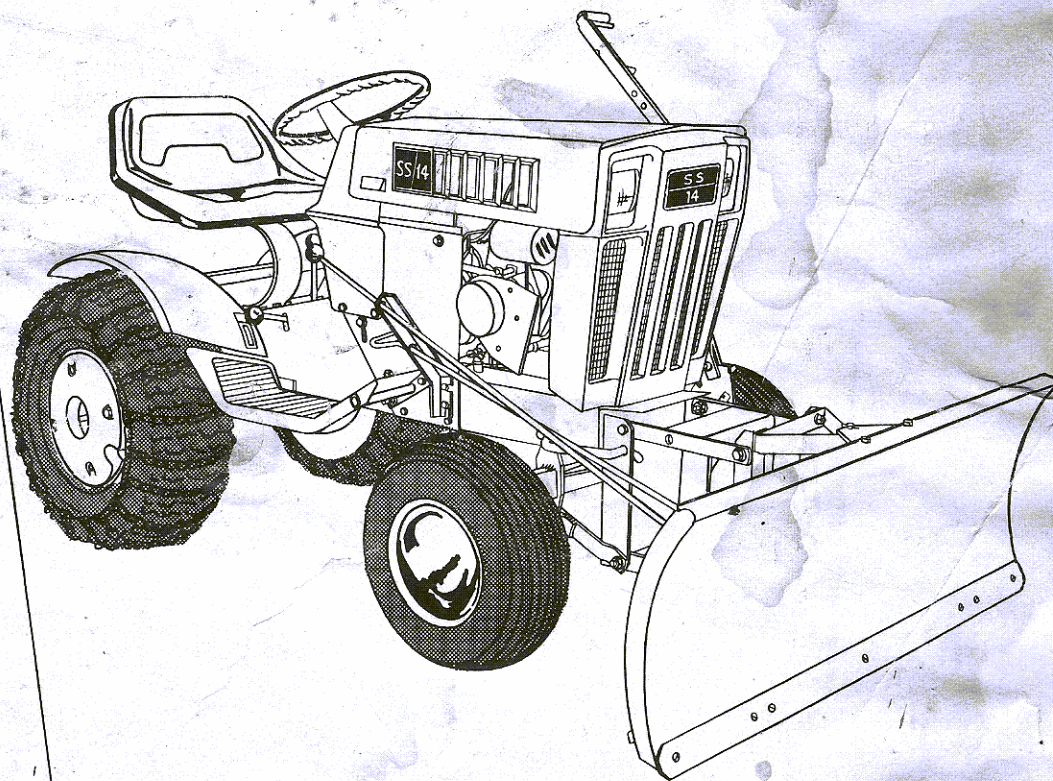
owners manual

BULLDOZER-SNOWPLOW

MODEL NO.
917.253330

CAUTION:
Read Rules for
Safe Operation
and Instructions
Carefully

- Assembly
- Operating
- Maintenance
- Repair Parts



INTRODUCTION

The Bulldozer-Snow Plow was especially designed for Sears Suburban, Super and Hydro-Trac tractors. The principal use of this unit is to remove snow from sidewalks, cemented feeding lots, roads and driveways. It may also be used to level loose ground, gravel, sand, etc.

Your Bulldozer-Snow Plow was shipped complete in one carton, Model Number 917.253330.

PARTS IDENTIFICATION

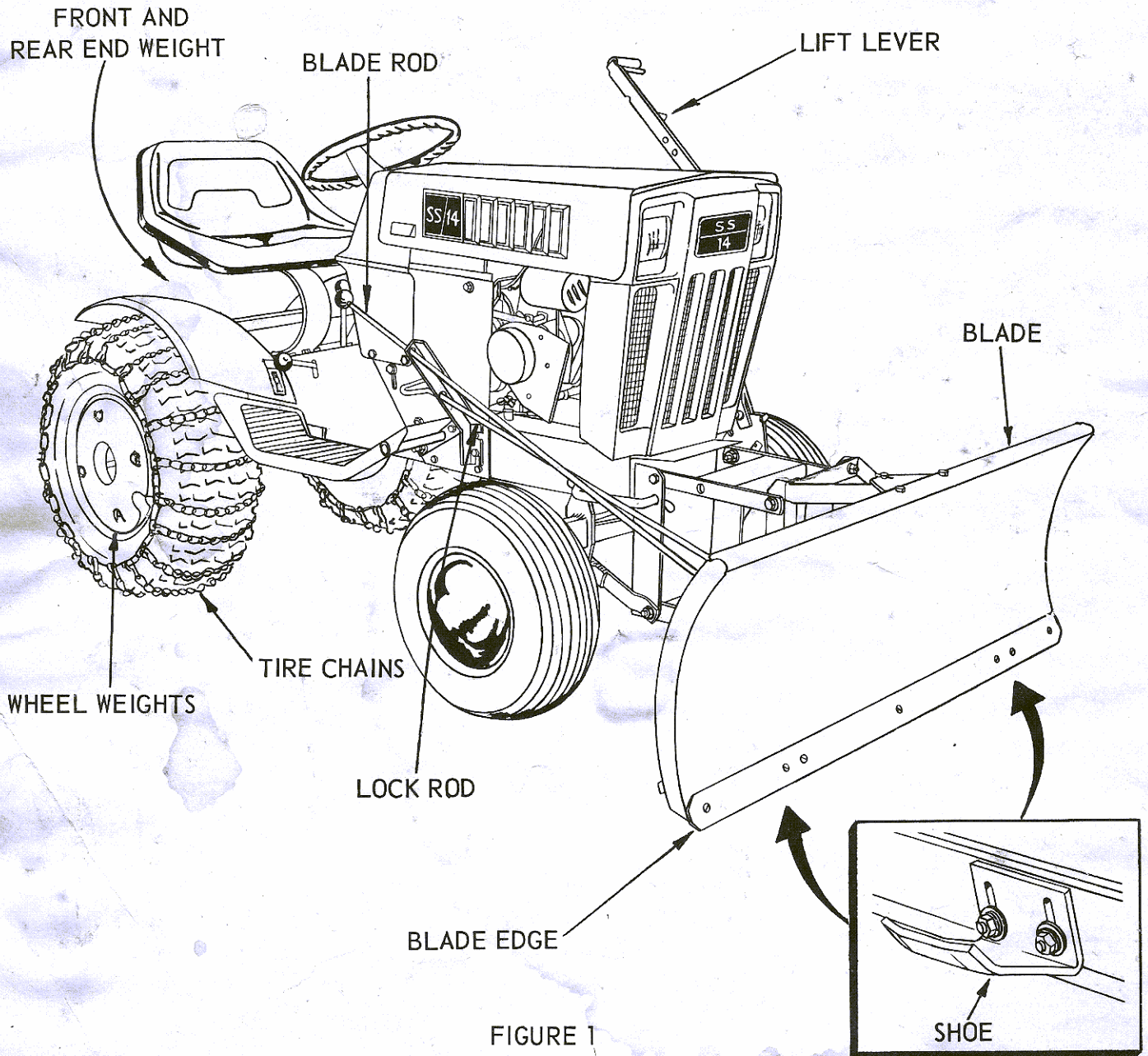


FIGURE 1

Setting Up and Operating Instructions should be studied very closely before beginning to assemble your Bulldozer-

SETTING UP INSTRUCTIONS—Continued

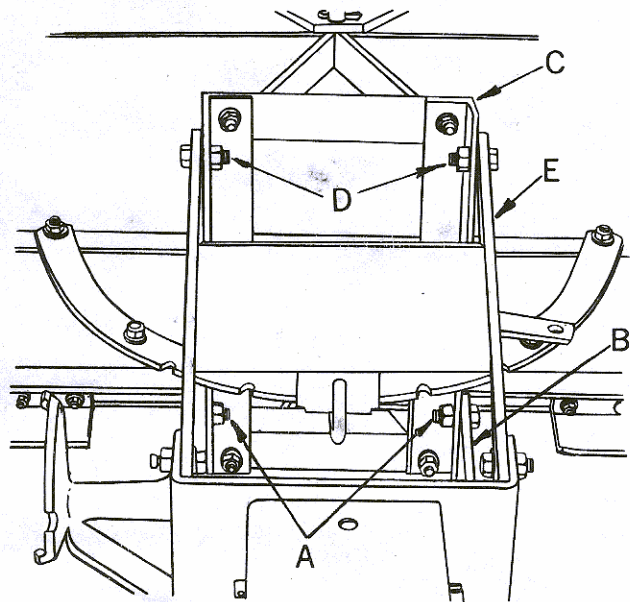


FIGURE 2

1. Assemble lower frame (B) to front frame (C) with 2-7/16 x 1/4 hex bolts, flat washers, bushings and lock nuts found in plastic bag.
NOTE: Bolts, flat washers, and bushings will go through lower frame (B) then through front frame (C), and lock nuts to inside as shown in Figure 2.
2. Refer to Figure 2. Assemble upper frame (E) to front frame (C) with 2-7/16 x 1/4 hex bolts, flat washers, bushings, and lock nuts (found in plastic bag) in same manner as lower frame (B) was assembled. Tighten all nuts securely.

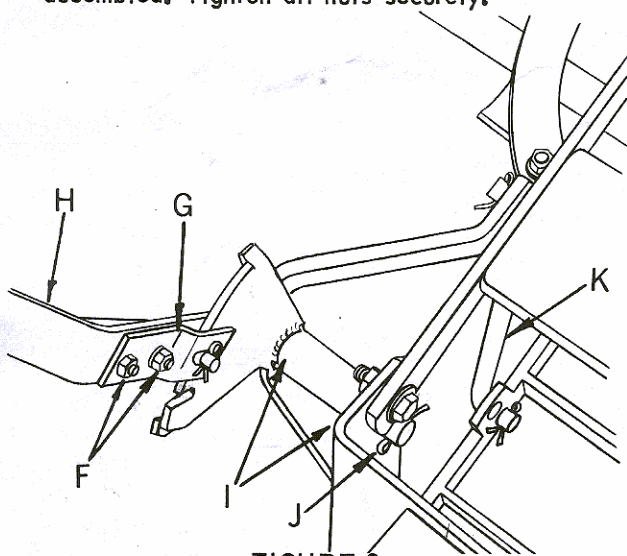


FIGURE 3

3. Refer to Figure 3. Loosen two nuts (F) holding lower lever clip (G) to lever and arm (H). Slide shaft of lever and arm assembly (H) (lift lever) into socket of rear frame assembly (I). Rotate lever

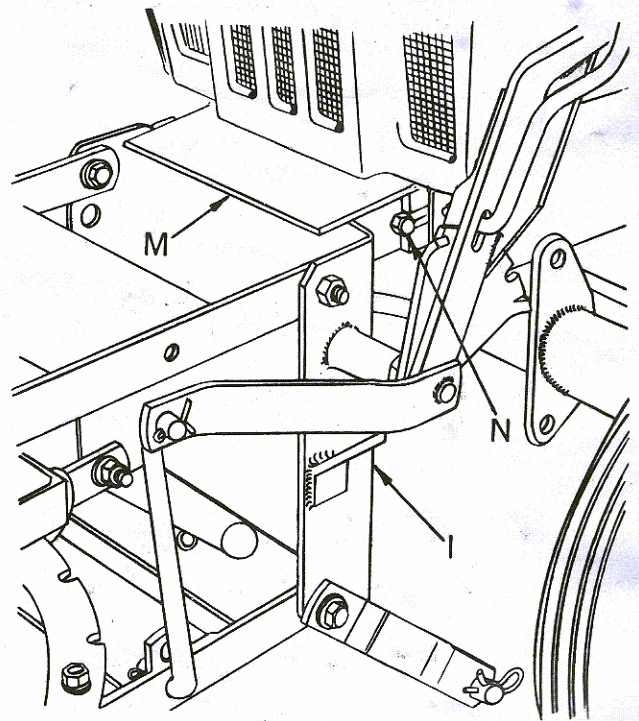
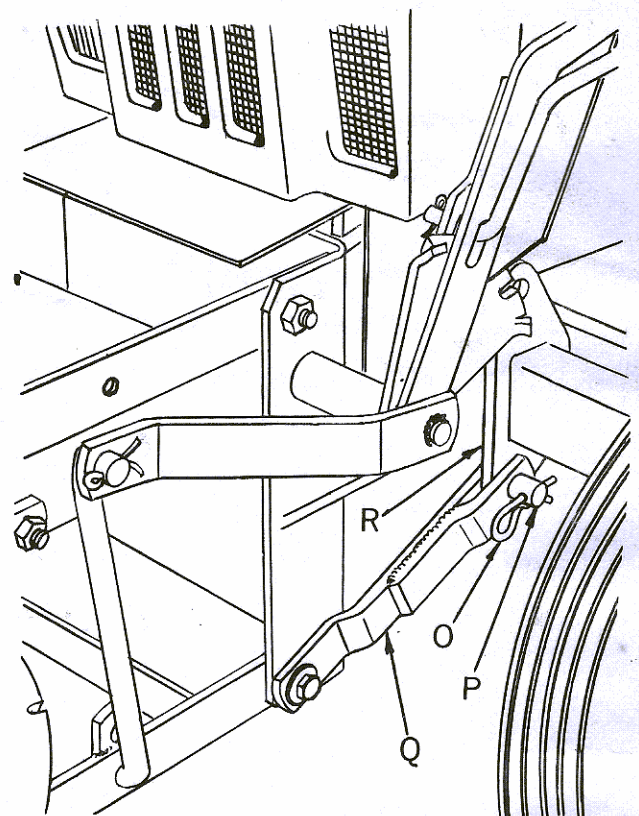


FIGURE 4

5. Refer to Figure 4. Lift front channel cover (M), and slide rear frame assembly (I) into slots of tractor frame (N) as shown.



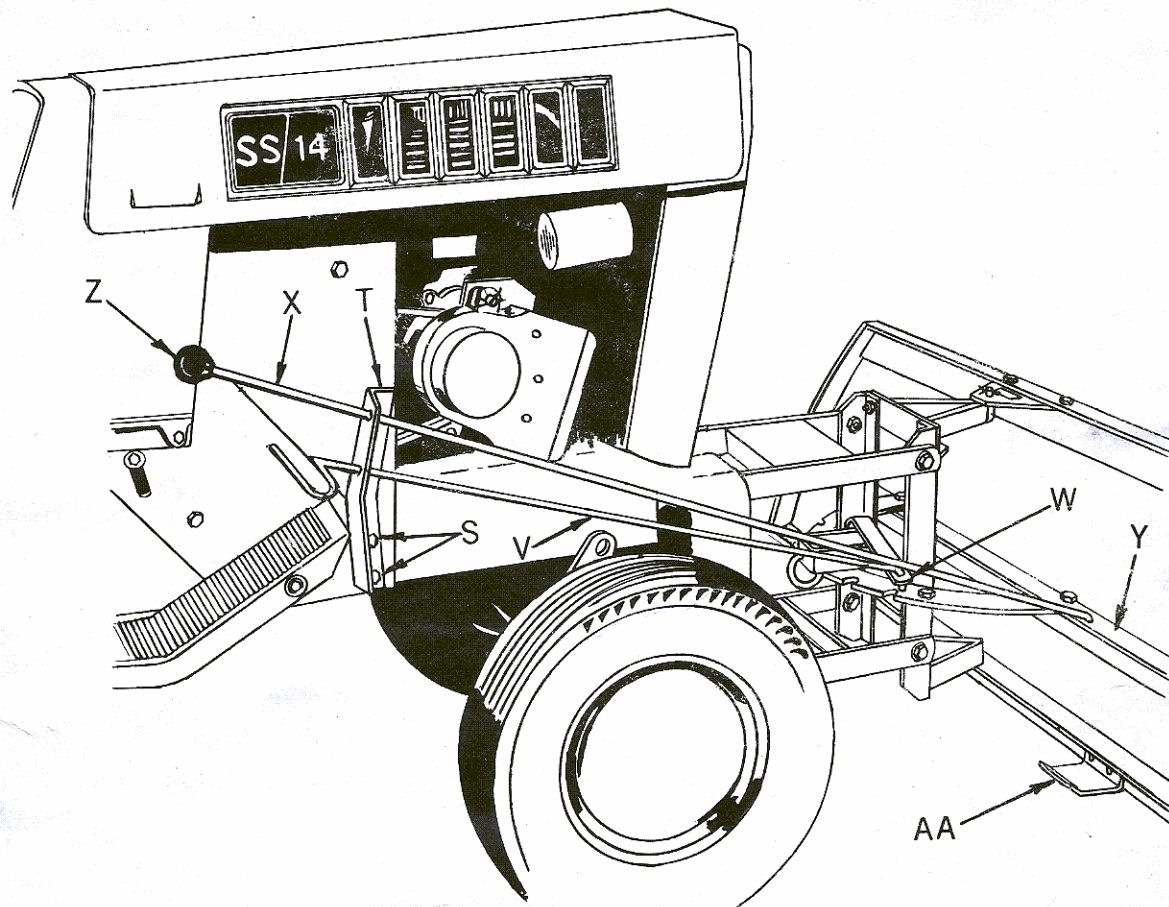


FIGURE 6

7. Refer to Figure 6. Loosen two hex bolts (S), in tractor frame and position rod bracket (T), under head of bolts. Tighten bolts securely.
8. Insert lock rod (V) (small bent end forward) Figure 6 through lower hole in rod bracket (T). Assemble front (small bent end) of lock rod (V) into hole of pivot arm weldment (W). Secure with cotter pin $1/8 \times 5/8$ found in plastic bag. Spread cotter.
9. Insert bent end of blade rod (X) Figure 6 through upper hole in rod bracket (T) and assemble to hole in center rail (Y) as shown in Figure 6. Secure with cotter pin found in plastic bag. Spread cotter.
10. Refer to Figure 6. Screw control knob (Z) on rear (threaded) end of blade rod (X) as shown.
11. Tighten all nuts securely, and make sure all cotter pins are spread.

OPERATING INSTRUCTIONS

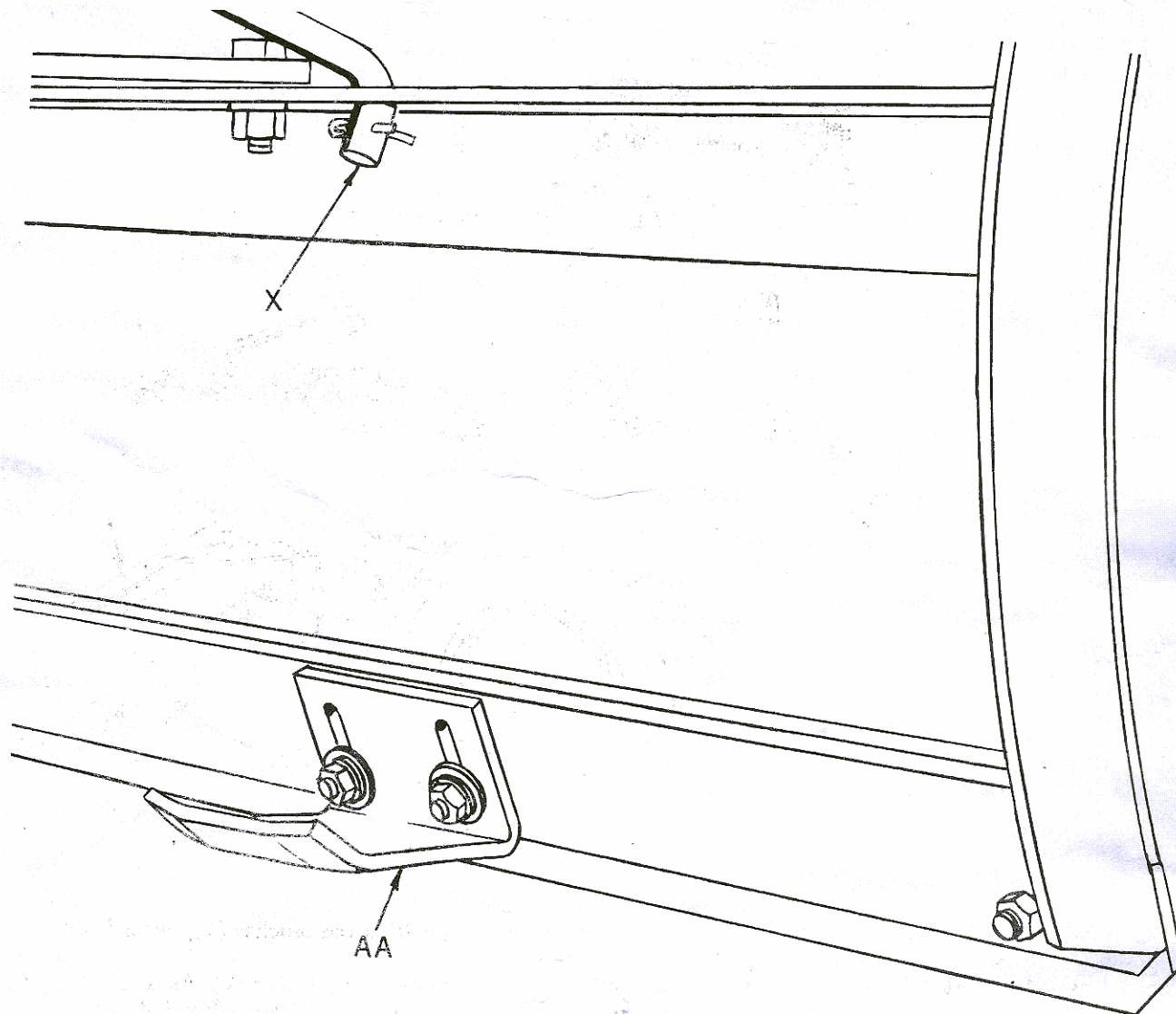


FIGURE 7

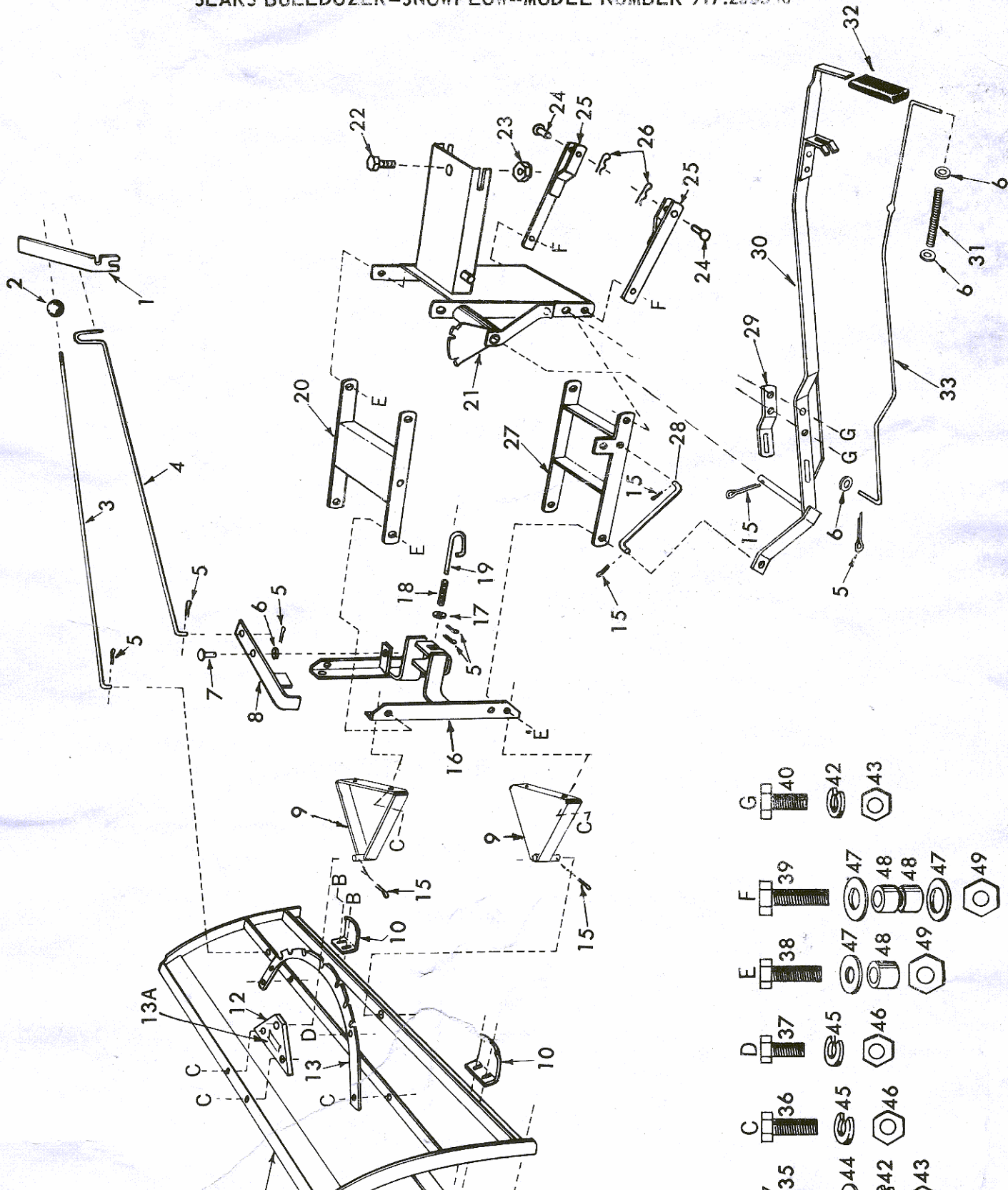
To angle the bulldozer blade, push lock rod (V) Figure 6 forward with foot to release the latch and push or pull blade rod (X) Figure 6, to desired blade position. Remove foot from lock rod to lock blade in desired position. There are seven blade positions: straight ahead, three distinct angles to the right, and three to the left.

BLADE SHOES

The blade shoes (AA) Figure 7, are adjustable for raising or lowering blade edge. When moving material on rough or uneven surfaces, lower blade shoes thus raising the blade edge. After adjustment, always tighten nuts securely.

MAINTENANCE AND SERVICE

SEARS BULLDOZER-SNOWPLOW--MODEL NUMBER 917.253320



- | | | | | | | | | | | |
|----|---|----|---|----|---|----|---|----|---|----|
| 35 | C | 36 | D | 37 | E | 38 | F | 39 | G | 40 |
| 44 | S | 45 | S | 45 | S | 47 | S | 42 | S | 43 |
| 42 | S | 46 | S | 46 | S | 48 | S | 48 | S | 48 |
| 43 | S | 46 | S | 49 | S | 49 | S | 47 | S | 49 |

PART NO.	DESCRIPTION	KEY NO.	PART NO.	DESCRIPTION
914R	Rod Bracket	26	4940M	Retainer Spring
6364H	Control Knob	27	634A205	Lower Frame
7363H	Blade Rod	28	1399H	Lift Rod
7362H	Lock Rod	29	4338M	Lever Clip Lower
2505P	Cotter Pin 1/8 x 3/4	30	634A444	Lever and Arm
1513P	Washer 13/32 x 13/16 x 16 Ga.	31	1539U1	Spring
7373H1	Pivot Pin	32	8206H	Handle Grip
634A143	Pivot Arm Weldment	33	994R	Lever Plunger
626A262	Fork	34	3064P	Flat Hd. Mach. Screw 1/4-20 x 3/4
9026M	Shoe - 575PAY43 799	35	3130P	Flat Hd. Mach. Screw 1/4-20 x 1
634A438	Blade	36	3023P	Hex Bolt 3/8-16 x 1
1411H	Upper Pivot Gusset	37	3021P	Hex Bolt 3/8-16 x 3/4
8884H	Arch	38	3035P	Hex Bolt 7/16-14 x 1-1/4
-----	Model Plate	39	3036P	Hex Bolt 7/16-14 x 1-1/2
918R	Blade Edge	40	3003P	Hex Bolt 1/4-20 x 3/4
2510P	Cotter Pin 5/32 x 1	42	1002P	Lockwasher 1/4
606A97B	Front Frame	43	503P	Hex Nut 1/4-20
1517P	Washer 7/16 x 1 x 14 Ga.	44	1506P	Washer 9/32 x 5/8 x 16 Ga.
7962H	Spring	45	1004P	Lock Washer 3/8
6090M	Latch	46	501P	Hex Nut 3/8-16
634A142	Upper Frame	47	1544P	Washer 15/32 x 59/64 x 16 Ga.
634A445	Rear Frame Assembly	48	5222H	Bushing
3041P	Hex Bolt 1/2 - 13 x 3/4	49	7762H	Lock Nut 7/16-14
509P	Hex Jam Nut 1/2 - 13	--	1012R	Instruction & Parts Book
6978A	Drilled B.H. Rivet			
634A264	Push Strap Assembly			

Sears

owners manual

COPIED FROM
SEARSTRACTOR.COM

BULLDOZER-SNOWPLOW

**MODEL NO.
917.253330**

The Model Number will be found on a plate attached to the blade. Always mention the Model Number when requesting service or repair parts for your Bulldozer-Snowplow.

All parts listed herein may be ordered through SEARS, ROEBUCK AND CO. or SIMPSONS-SEARS LIMITED. When ordering parts by mail, selling prices will be furnished on request or parts will be shipped at prevailing prices and you will be billed accordingly.

WHEN ORDERING REPAIR PARTS, ALWAYS GIVE THE FOLLOWING INFORMATION AS SHOWN IN THIS LIST.

1. The PART NUMBER
2. The PART DESCRIPTION
3. The MODEL NUMBER
917.253330
4. The NAME OF ITEM -
Bulldozer-Snowplow.

Your Sears Merchandize takes on added value when you discover that Sears has over 2,000 Service Units throughout the country. Each is staffed by Sears-trained, professional technicians using Sears approved parts and methods.

**SEARS SERVICE
IS AT YOUR SERVICE
WHEREVER YOU LIVE
OR MOVE
IN THE U.S.A.**