

Sears

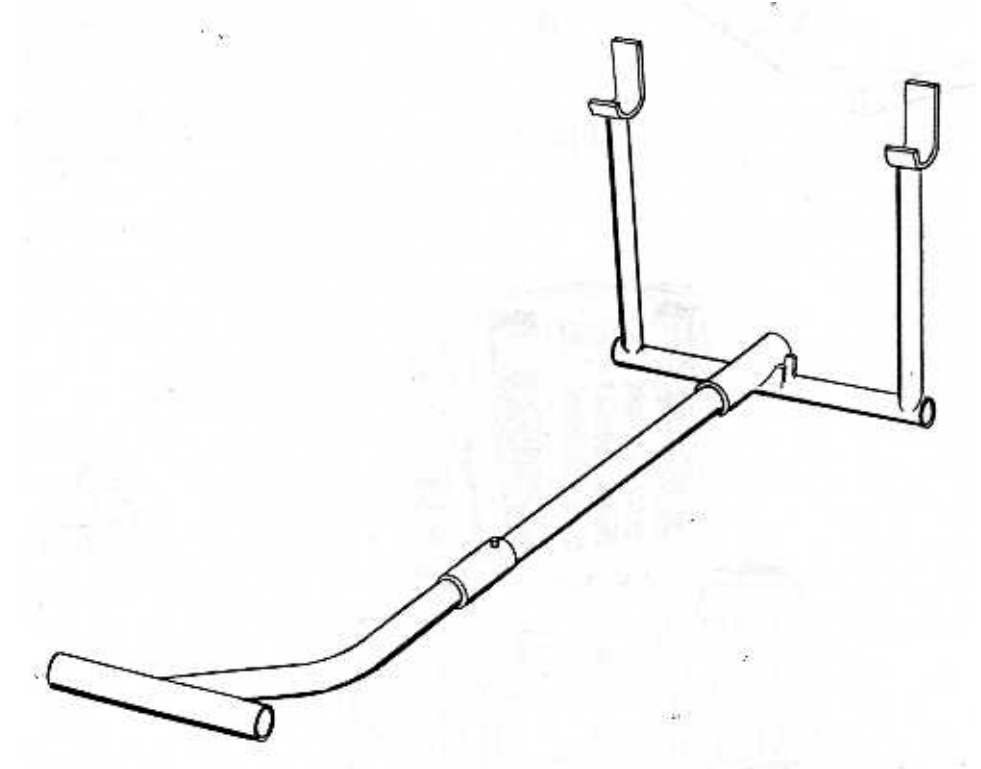
Owners manual

TRACTOR JACK

MODEL NO.
917.253950

CAUTION:
Read Rules for
Safe Operation
and Instructions
Carefully

- Assembly
- Operating



SEARS, ROEBUCK AND CO. U.S.A.
SIMPSONS-SEARS LIMITED, CANADA

assembly and operation

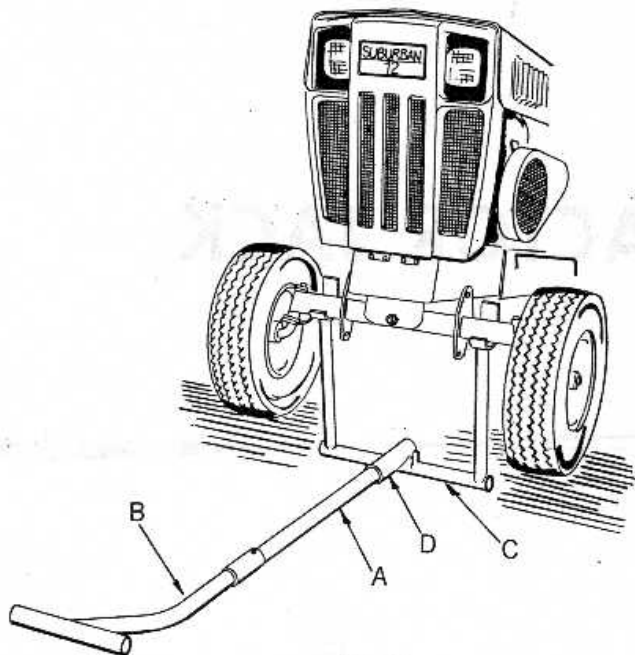


FIG. 1

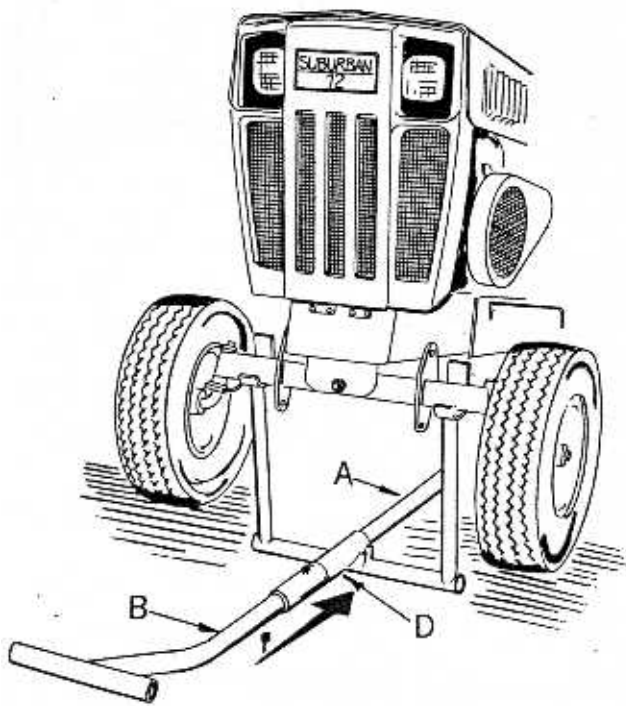


FIG. 2

!
SAFETY

Tractor Engine must be stopped, and spark plug wire disconnected from plug. If a mower is mounted on tractor, disengage mower blade drive lever.

1. Remove nut, lockwasher and bolt from lower handle (A). Insert lower handle (A), into upper handle (B), line up holes and secure together with bolt, lockwasher and nut previously removed.
2. Tractor working area must be level. Position standard ©, beneath front axle to lift front of tractor or rear axle to lift rear of tractor.
3. Insert lower handle (A), with upper handle (B), attached into coupling (D), of standard (C). End of lower handle (A), must be inserted into coupling (D), until end of lower handle is flush with far end of coupling.
4. To raise tractor, pull down on upper handle (B), until handle rests on ground or floor.

!
CAUTION

5. Push handle through coupling as far as it will go. This will prevent tractor from falling off standard. As an added precaution, securely block the two wheels that make ground contact.