

PARTS BOOK FOR

Sears

7 H. P.

CUSTOM TRACTOR

MODEL NO. 917.25430 RECOIL TRACTOR

**SEARS, ROEBUCK AND CO.-U.S.A.
SIMPSONS-SEARS LIMITED-CANADA**

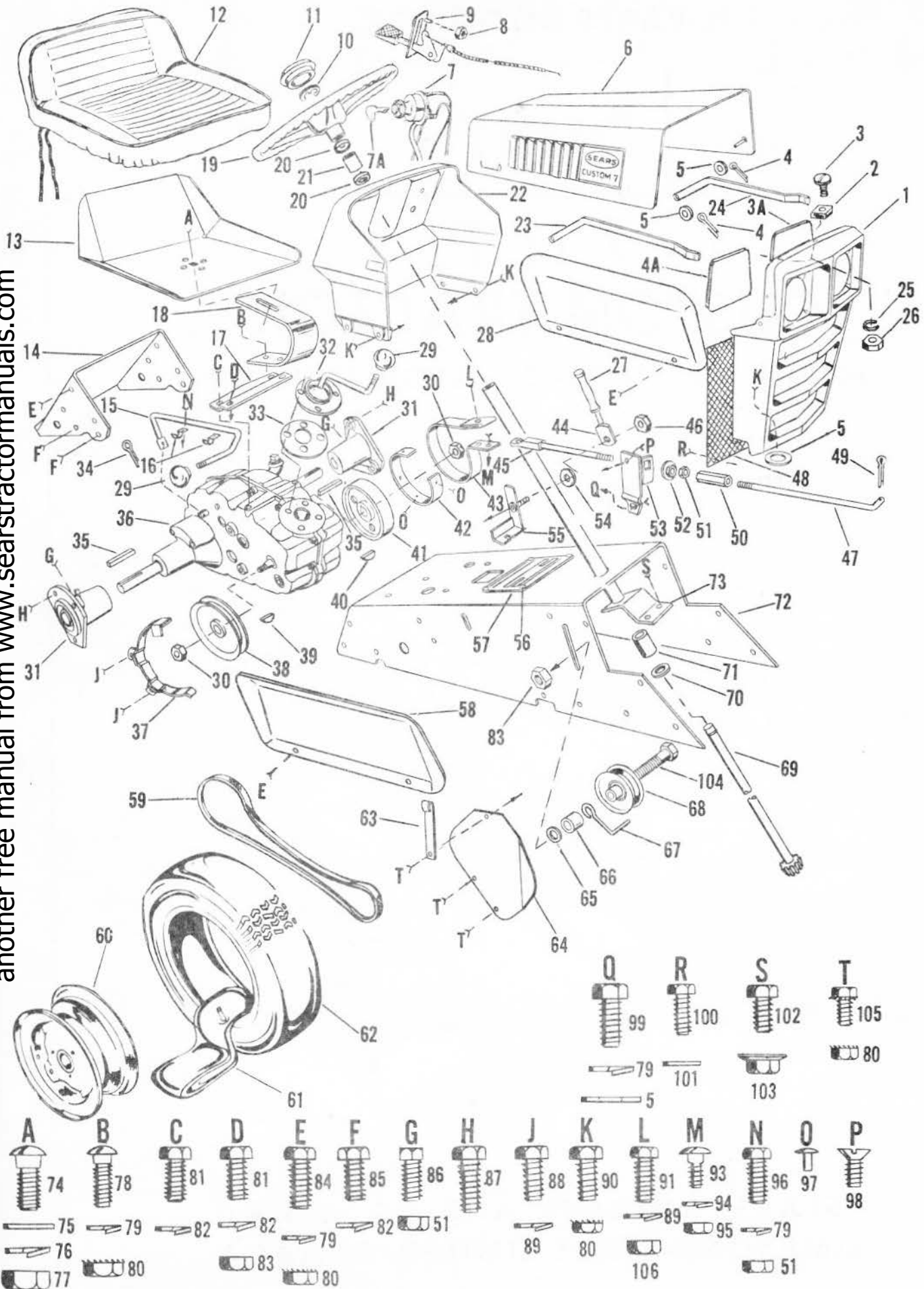
8852H

PRINTED IN U. S. A.

8.10.68

SEARS 7 H.P. CUSTOM TRACTOR --- MODEL NUMBER 917.25430

another free manual from www.searstractormanuals.com

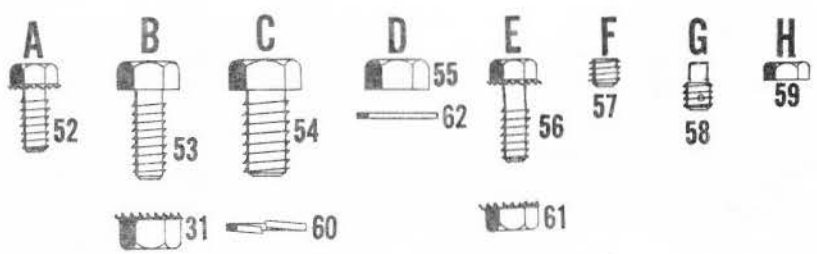
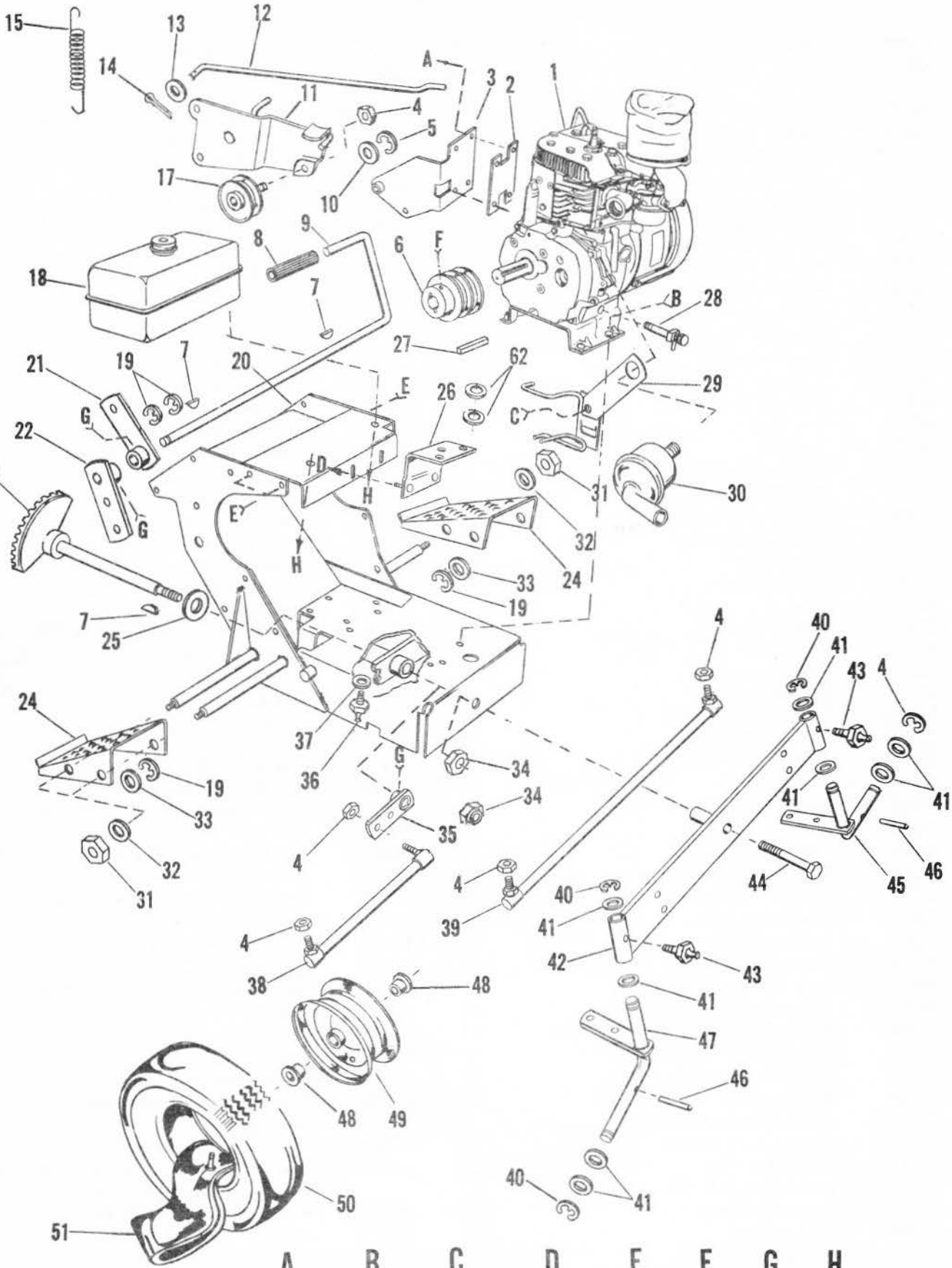


SEARS 7 H.P. CUSTOM TRACTOR -- MODEL NUMBER 917.25430

KEY NO.	PART NO.	DESCRIPTION	KEY NO.	PART NO.	DESCRIPTION
1	8828H	Grill Frame	56	9418248	Truss Hd. Cross Recess Thread Cut
2	8887H	Rubber Bumper			Cutting Screw #10 - 24 x 7/16
3	04381016	Slotted Rd. Hd. Mach. Screw #10 - 24 x 1	57	-----	Model Plate
3A	8838H	Grill Panel L.H.	58	8819H	Fender R.H.
4	121222	Cotter Pin 3/32 x 3/4	59	8833H	V Belt (Engine to Transmission)
4A	8839H	Grill Panel R.H.	60	1297H1	Rim Disc Wheel
5	120394	Washer 13/32 x 13/16 x 16 Ga.	61	1296H	Tube 6.00 x 12
6	626A174	Hood Assembly	62	5808H	Tire 2 Ply 7.50 x 12
7	7487H	Ignition Switch	63	5119H	Throttle Bracket
8	271178	Keps Nut 1/4 - 20	64	5065H	Belt Guard
9	626A105A	Remote Control	65	120395	Washer 15/32 x 57/64 x 16 Ga.
10	98000071	E Ring	66	8209H	Idler Spacer
11	8843H	Steering Wheel Cap	67	6479H1	Belt Guide Finger
12	8896H	Seat Pad	68	6635H	Flat Idler
13	8895H	Seat	69	626A29	Steering Shaft Assembly
14	634A101	Drawbar and Weldnuts	70	19252016	Washer 49/64 x 1 1/4 x 16 Ga.
15	6477H	Shift Range Rod	71	4437H	Steering Bushing
16	6442H	Shift Rod Bracket	72	8823H	Chassis Channel
17	6459H	Transaxle Bracket	73	626A109	Steering Column Assembly
18	5053H	Seat Spring	74	126485	Sq. Neck Carriage Bolt 1/2 - 13 x 1 1/4
19	5138H	Steering Wheel	75	19171911	Washer 17/32 x 1-3/16 x 11 Ga.
20	9007H	Cap	76	120384	Lockwasher 1/2
21	5949H	Rubber Bushing	77	120378	Hex Nut 1/2 - 13
22	8175H	Dashboard	78	120915	Sq. Neck Carriage Bolt 3/8 - 16 x 1
23	6351H	Grill Brace R.H.	79	131099	Lockwasher 3/8
24	6350H	Grill Brace L.H.	80	271190	Keps Nut 3/8 - 16
25	131096	Lockwasher #10	81	122253	Hex Bolt 7/16 - 14 x 1
26	274737	Hex Nut #10 - 24	82	456121	Lockwasher 7/16
27	4379H	Shift Handle Grip	83	271501	Hex Nut 7/16 - 14
28	8818H	Fender L.H.	84	122126	Hex Bolt 3/8 - 16 x 7/8
29	6364H	Control Knob	85	122267	Hex Bolt 7/16 - 14 x 1 1/4
30	103028	Hex Nut 1/2 - 20	86	102897	Sq. Hd. Set Screw C.P. 3/8 - 16 x 1 1/4
31	8827H	Wheel Hub Rear	87	1304H	Hub Bolt
32	633A40	Gear Shift Lever Assembly - Bent	88	122007	Hex Bolt 5/16 - 18 x 3/4
33	6274H	Gasket - Shift Ball Cover	89	120638	Lockwasher 5/16
34	456723	Cotter Pin 3/16 x 1	90	455171	Hex Hd. Mach. Screw W/Sems
35	8327H	Sq. Key 1/4 x 3			Lockwasher 3/8 - 16 x 1 1/2
36	633A45	Transaxle Assembly W/Brake Drum	91	120229	Hex Bolt 5/16 - 18 x 7/8
37	626A209	Rear Belt Guard Assembly	92	120376	Hex Nut 5/16 - 18
38	8840H	Transmission Pulley	93	126203	Sq. Neck Carriage Bolt 1/4 - 20 x 5/8
39	9858M1	Woodruff Key 3/16 x 5/8	94	131098	Lockwasher 1/4
40	2228M	Woodruff Key 3/16 x 3/4	95	120375	Hex Nut 1/4 - 20
41	7648H	Brake Drum	96	122119	Hex Bolt 3/8 - 16 x 3/4
42	7645H	Brake Lining	97	426173	Rivet Brass Tubular #4 x 1/4
43	634A167	Brake Band and Lining	98	21230612	Flat Hd. Mach. Screw Undercut 3/8 - 16 x 3/4
44	634A170	Blade Clutch Handle	99	122126	Hex Bolt 3/8 - 16 x 7/8
45	626A210	Brake Rod Rear	100	21030410	Hex (Ind.) Self Tapping Screw W/Sems Ext. Lockwasher 1/4 - 20 x 5/8
46	9416771	Nylock Nut 3/8 - 24			Washer 17/64 x 3/4 x 16 Ga.
47	8811H	Brake Rod Front	101	19091216	Hex Bolt 3/8 - 16 x 1 H.T.
48	8837H	Grill Screen	102	180122	Flanged Nut 3/8 - 16
49	177923	Cotter Pin 1/8 x 3/4	103	8698H	Hex Bolt 7/16 - 14 x 3/4
50	6417H	Turnbuckle	104	0476052	Hex Hd. Mach. Screw W/Sems
51	120377	Hex Nut 3/8 - 16	105	455170	Lockwasher 3/8 - 16 x 1
52	6000H	Large Flange Nut			Lock Nut 5/16 - 18
53	626A208	Brake Bracket Assembly	106	1685H	Parts List
54	5999H	Spring Washer			Instruction Sheet
55	634A169	Parking Lock Assembly			

SEARS 7 H.P. CUSTOM TRACTOR --- MODEL NUMBER 917.25430

another free manual from www.searstractormanuals.com

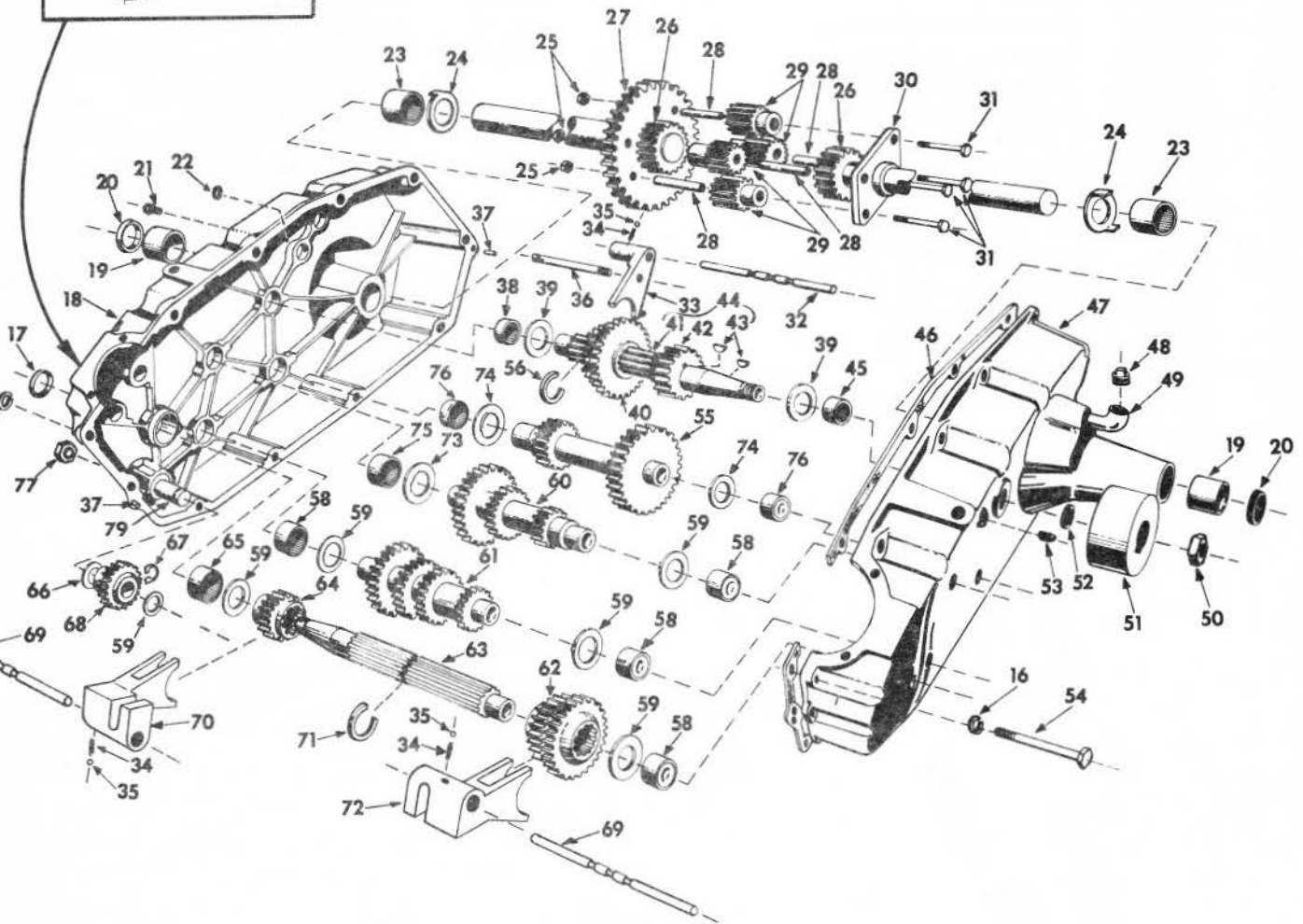
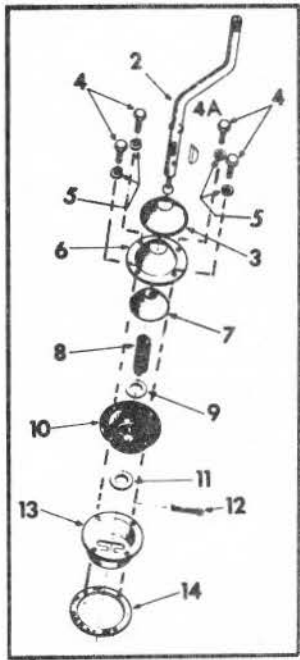


SEARS 7 H.P. CUSTOM TRACTOR -- MODEL NUMBER 917.25430

KEY NO.	PART NO.	DESCRIPTION	KEY NO.	PART NO.	DESCRIPTION
1	626A223	7 H.P. Engine Recoil Starter Model 143.596012	34	4764H	Huglock Nut 5/8 - 11
2	5622H	Spacer	35	626A213	Steering Arm Assembly
3	626A15A	Idler Bracket Support Assembly	36	6842M	Grease Fitting
4	9416771	Nylock Nut 3/8 - 24	37	09090814	Washer 9/32 x 1/2 x 14 Ga.
5	98000073	E Ring	38	5137H	Steering Link
6	615A40	Engine Pulley W/Set Screw	39	5136H	Tie Rod
7	9858M1	Woodruff Key 3/16 x 5/8	40	98000071	E Ring
8	4382H	Pedal Cover	41	19252016	Washer 49/64 x 1/4 x 16 Ga.
9	8813H	Foot Pedal Shaft	42	626A212	Rocker Bar Assembly
10	19171616	Washer 17/32 x 1 x 16 Ga.	43	6855M	Grease Fitting
11	626A76B	Idler Bracket Assembly	44	428709	Hex Bolt 5/8 - 11 x 3/2
12	5037H	Clutch Rod	45	626A193	King Pin Assembly L.H.
13	120394	Washer 13/32 x 13/16 x 16 Ga.	46	5142H	Roll Pin 3/16 x 1 1/4
14	177923	Cotter Pin 1/8 x 3/4	47	626A194	King Pin Assembly R.H.
15	5105H	Idler Spring ← 24.68 (2)	48	5920H1	Flanged Bearing
17	5146H	Idler Pulley	49	4760H	Front Wheel
18	-----	Gas Tank (See Engine Book)	50	5104H	Tire 4.00 x 8
19	98000072	E Ring	51	338H	Tube 4.00 x 8
20	626A214	Engine Mount Assembly	52	271468	Hex Hd. Mach. Screw W/Sems Lockwasher 1/4 - 20 x 3/4
21	626A229	Brake Arm Assembly	53	455170	Hex Hd. Mach. Screw W/Sems Lockwasher 3/8 - 16 x 1
22	626A31A	Steering Arm Assembly	54	123605	Hex Bolt 1/2 - 20 x 1
23	626A207	Intermediate Shaft Assembly	55	1685H	Lock Nut 5/16 - 18
24	8172H	Foot Rest	56	451975	Hex Hd. Mach. Screw W/Sems Lockwasher 5/16 - 18 x 3/4
25	9000H	Thrust Washer	57	04250606	Hex Socket Headless Set Screw C.P. 3/8 - 16 x 3/8
26	626A113	Engine Tie Bracket Assembly	58	102881	Sq. Hd. Set Screw C.P. 5/16 - 18 x 1/2
27	9396E	Sq. Key 1/4 x 2	59	271178	Keps Nut 1/4 - 20
28	4374H	Oil Drain Shut Off Valve	60	120384	Lockwasher 1/2
29	626A130	Muffler Strap and Belt Guard Assembly	61	271184	Keps Nut 5/16 - 18
30	615A39	Muffler Assembly	62	120393	Washer 11/32 x 11/16 x 16 Ga.
31	271190	Keps Nut 3/8 - 16			
32	4376H	Washer			
33	19211610	Washer 41/64 x 1 x 10 Ga.			

another free manual from www.searstractormanuals.com

Phone # 1-800-727-7278
1-800-366-7278
1-800-366-7278



another free manual from www.searstractormanuals.com

SEARS 7 H.P. CUSTOM TRACTOR --- MODEL NUMBER 917.25430

KEY NO.	PART NO.	DESCRIPTION	KEY NO.	PART NO.	DESCRIPTION
1	633A45	Transaxle Assembly W/brake drum	39	6266H	Thrust Bearing Race
2	8735H	Gear Shift Lever - Bent	40	633A14	High - Low Range Gears and Hub
3	4869H	Gear Shift Cap	41	6221H	3rd Reduction Gear Shaft
4	100121	Hex Bolt 5/16 - 18 x 3/4	42	8659H	4th Reduction Pinion
4A	7835M	Woodruff Key 1/8 x 1/2	43	2228M	Woodruff Key 3/16 x 3/4 H.T.
5	108579	Lockwasher 5/16	44	633A32	3rd Reduction Shaft and Gear
6	633A39	Gear Shift Ball Cover and Pin	45	8119M	Needle Bearing
7	8739H	Shift Lever Guide Ball - Keyed	46	6275H	Gasket - Gearcase
8	4924H	Spring	47	633A41	Gearcase and Bearings L.H.
9	103342	Washer 15/32 x 59/64 x 16 Ga.	48	219199	Pipe Plug 1/2 - 14 N.P.T.
10	6273H	Shift Mechanism Seal	49	108686	90° Street Elbow 1/2 - 14 N.P.T.
11	09181512	Washer 9/16 x 15/16 x 12 Ga.	50	103028	Hex Nut 1/2 - 20
12	103384	Cotter 1/8 x 3/4	51	7648H	Brake Drum
13	633A19	Gear Shift Gate and Reinforcement	52	6271H	Oil Seal
14	6274H	Gasket - Shift Ball Cover	53	219189	Pipe Plug 1/4 - 18 N.P.T.
15	102634	Hex Nut 5/16 - 18	54	179822	Hex Bolt 5/16 - 18 x 1-1/2 Grade 5 H.T.
16	456946	Lockwasher 5/16 Extra Heavy	55	633A33	4th Reduction Shaft and Gears
17	6270H	Oil Seal	56	6276H	Snap Ring - Crescent Type
18	633A42	Gearcase, Reverse Idler Shaft and Bearings R.H.	58	4895H	Needle Bearing
19	6264H	Sintered Iron Bearing	59	1370H	Thrust Bearing Race
20	4910H	Oil Seal	60	633A31	2nd Reduction Shaft and Gears
21	5855H	Pressure Relief Valve	61	633A30	Speed Change Gears and Shaft
22	6269H	Oil Seal	62	633A11	Intermediate and High Speed Pinions
23	8740H	Sintered Iron Bearing	63	6218H	Input Shaft
24	6256H	Axle Thrust Washer	64	6231H	Low Speed Pinion
25	7810H	Centerlock Gripco Nut 3/8 - 24	65	4894H	Needle Bearing
26	633A43	Axle Shaft and Gear - Custom	66	7392H	Reverse Idler Thrust Washer
27	8662H	Final Drive Gear	67	98000072	E Ring
28	6252H1	Bushing - Differential Pinion	68	8737H	Reverse Idler Gear
29	8657H	Differential Pinion	69	6216H	Shift Fork Shaft
30	6263H1	Differential Carrier	70	6262H	Shift Fork - R.H.
31	103672	Hex Bolt 3/8 - 24 x 3-1/4 1" Thread Length	71	4926H	Snap Ring - Crescent Type
32	6217H	High - Low Range Shift Fork Shaft	72	6261H	Shift Fork - L.H.
33	6260H	Shift Fork, High Low Range	73	7395H	Thrust Bearing Race
34	6272H	Spring - Shaft Fork Detent	74	7396H	Thrust Bearing Race
35	7392M	Steel Ball	75	7398H	Needle Bearing
36	6215H	High - Low Range Shift Shaft	76	8117M	Needle Bearing
37	6277H	Dowel Pin	77	272121	Hex Jam Nut 7/16 - 20
38	8118M	Needle Bearing	79	7384H	Reverse Idler Shaft

WE SERVICE WHAT WE SELL

no matter where you live in the U.S.A.



Your Sears Tractor takes on new value when you discover that Sears has 2000 Service units around the country using 7500 fully-equipped trucks and staffed by 10,000 factory-trained technicians. These men are Service Professionals who back up all Sears guarantees. They use Sears approved parts and methods for expert repairs to fulfill the pledge: "We Service What We Sell".

PUT SEARS UNDER CONTRACT TO YOU

with a Sears Service Contract

Sears Tractors are designed, manufactured and field tested for years of dependable operation. Yet, any mechanical equipment may require service from time to time. A Sears Service Contract is more than an extension of the guarantee. It provides complete protection from unexpected repair bills and undue inconvenience. It assures you of maximum performance. Look at the advantages of a Service Contract that is purchased with your new Tractor.

- * Mechanical adjustment, parts and service for one year.
- * Adjustment and service involving replacement of worn as well as defective parts.
- * Cleaning of fuel system, tank, carburetor, lines, crankcase and oil pump at no additional cost.

This unlimited coverage is available for only pennies a day. Let a Sears salesman or Service Technician explain all the benefits of a Sears Service Contract.

TRACTOR MODEL NUMBER

917.25430

The Model Number will be found on a plate attached under the gear shift lever.

Serial # 2804

ENGINE MODEL NUMBER

See Engine Manual for Engine Model Number and Engine Parts List.

HOW TO ORDER REPAIR PARTS

All parts listed herein may be ordered through SEARS, ROEBUCK AND CO. or SIMPSONS-SEARS LIMITED. When ordering parts by mail from the mail order house which serves the territory in which you live, selling prices will be furnished on request or parts will be shipped at prevailing prices and you will be billed accordingly.

WHEN ORDERING REPAIR PARTS, ALWAYS GIVE THE FOLLOWING INFORMATION AS SHOWN IN THIS LIST.

1. The PART NUMBER
2. The PART NAME
3. The MODEL NUMBER
4. The NAME OF ITEM-
Tractor.

626X68