

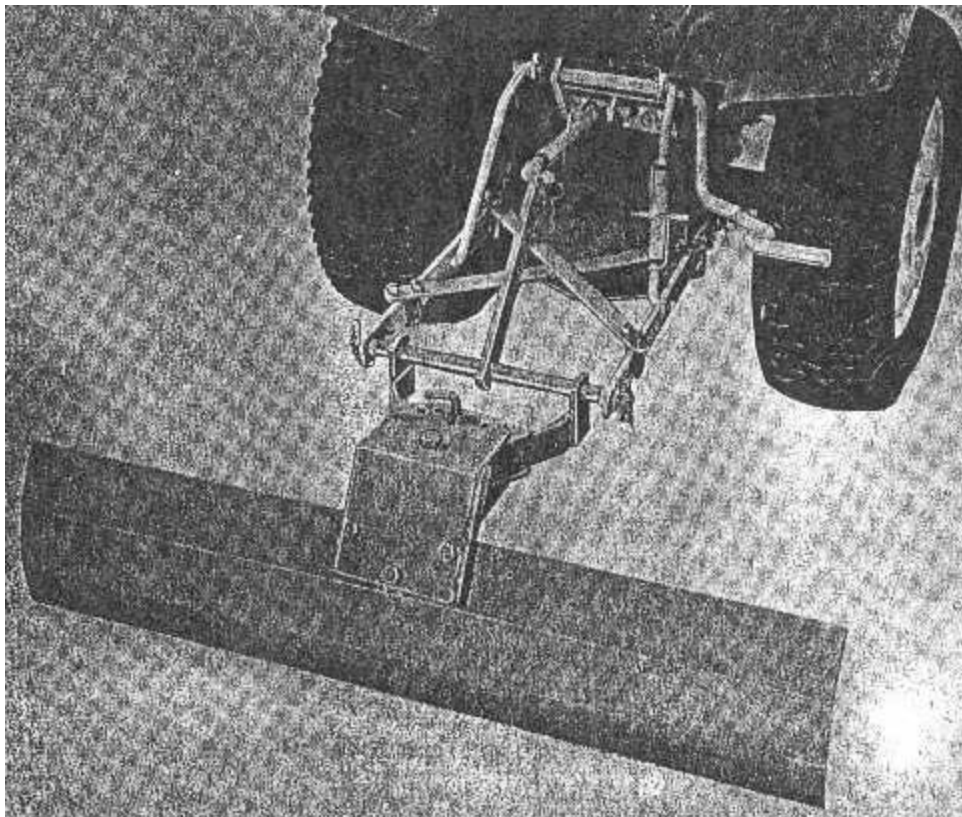
ASSEMBLY, OPERATING INSTRUCTIONS  
AND PARTS LIST FOR

# SEARS

GRADER BLADE  
FOR SEARS SUBURBAN OR  
CUSTOM RIDING TRACTOR



MODEL NUMBER  
917.99150



**SEARS, ROEBUCK AND CO.—U.S.A.**

SIMPSONS-SEARS LIMITED – CANADA

7589H

27.12.66

PRINTED IN U.S.A.

## INTRODUCTION

The Grader Blade was especially designed for your Sears Suburban or Custom Riding Tractor. The principal use of this attachment is to level loose ground, gravel, sand, etc. It can be used on all jobs and purposes for which heavy duty equipment is used, and will accomplish equivalent results. It is recommended that rear wheel weights be used on the tractor for added traction.

A letter in parentheses in the following instructions refers to an arrow in an adjoining Figure (illustration), unless otherwise stated. When R.H. (Right Hand) or L.H. (Left Hand) are used it should be understood to mean from a position behind and facing the Grader Blade or direction of travel.

Your shipment consists of the following package:

Stock Number 32-25133 Grader Blade Complete

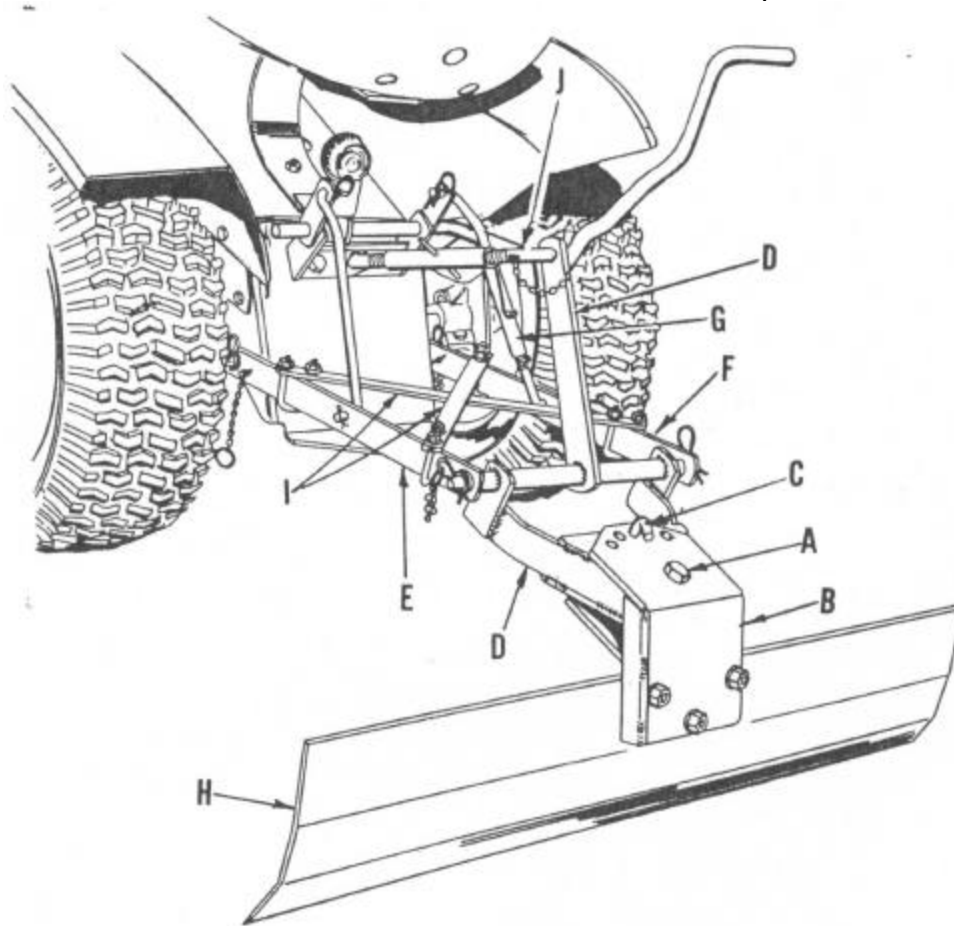


FIG. 1

### SETTING UP INSTRUCTIONS

A letter in parentheses in the following instructions refer to Fig. 1, above.

1. Cut all wires and remove parts from carton.
2. Remove nut and bolt (A), from quadrant plate upper and lower (B). Also remove cotter pins from end of quadrant pin (C), and remove quadrant pin.
3. Position frame weldment (D), between upper and lower quadrant plates (B). Note correct position of frame weldment (D). Secure with bolt and nut (A). Insert quadrant pin (C), into center hole of quadrant plate (B), and into hole of frame weldment (D). This will prevent blade from swiveling when attaching to three point hitch.

## HOW TO ATTACH TO TRACTOR

- Slip L.H. bottom link (E) of hitch over L.H. link of Grader Blade and secure with spring retainer.
- Slip R.H. bottom link (F) of hitch R.H. link of Grader Blade and secure with spring retainer.  
NOTE: R.H. bottom link (F) of three point hitch is adjustable. Rotate turnbuckle (G) so that R.H. bottom link slides of R.H. link of Grader Blade easily and blade (H) is level.
- Position the two hitch braces (I) over L.H. and R.H. bottom links (E and F), as shown in Fig. 1. Secure with the four U-bolts, lockwashers and hex nuts shipped in bag of parts.
- Assemble top link of three point hitch (J), to frame weldment (D), as shown and secure with spring retainer.

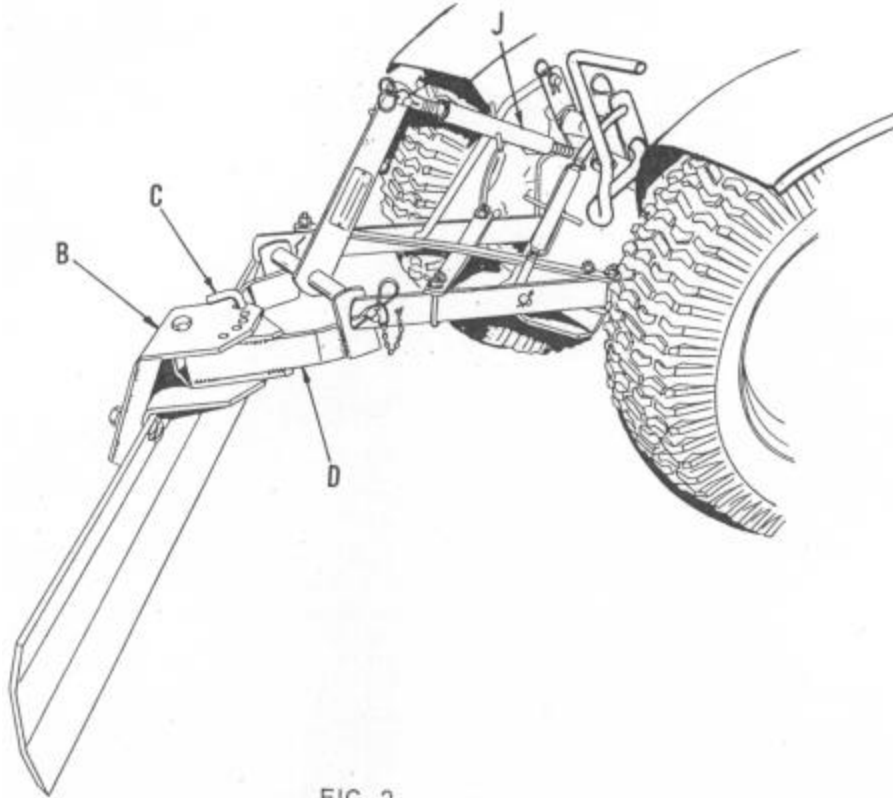


FIG. 2  
OPERATING INSTRUCTIONS

A letter in parentheses in the following instructions refer to Fig.2, above.

The Grader Blade can be angled on five different positions. Remove cotter pin in bottom of quadrant pin (C) and remove quadrant pin. Move blade to desired position lining up holes on quadrant plates (B), and hole in frame weldment (D). Insert quadrant pin (C), and secure with cotter pin.

When working in heavy material it may be desirable to tilt blade so that a smaller bite will be taken. To accomplish this, turn top link turnbuckle (J), to the right (clockwise). When grading in loos, light material a greater amount of work can be done with the blade in a more upright position. In this case, turn top link turnbuckle (J), to the left (counterclockwise).

### MAINTENANCE AND SERVICE

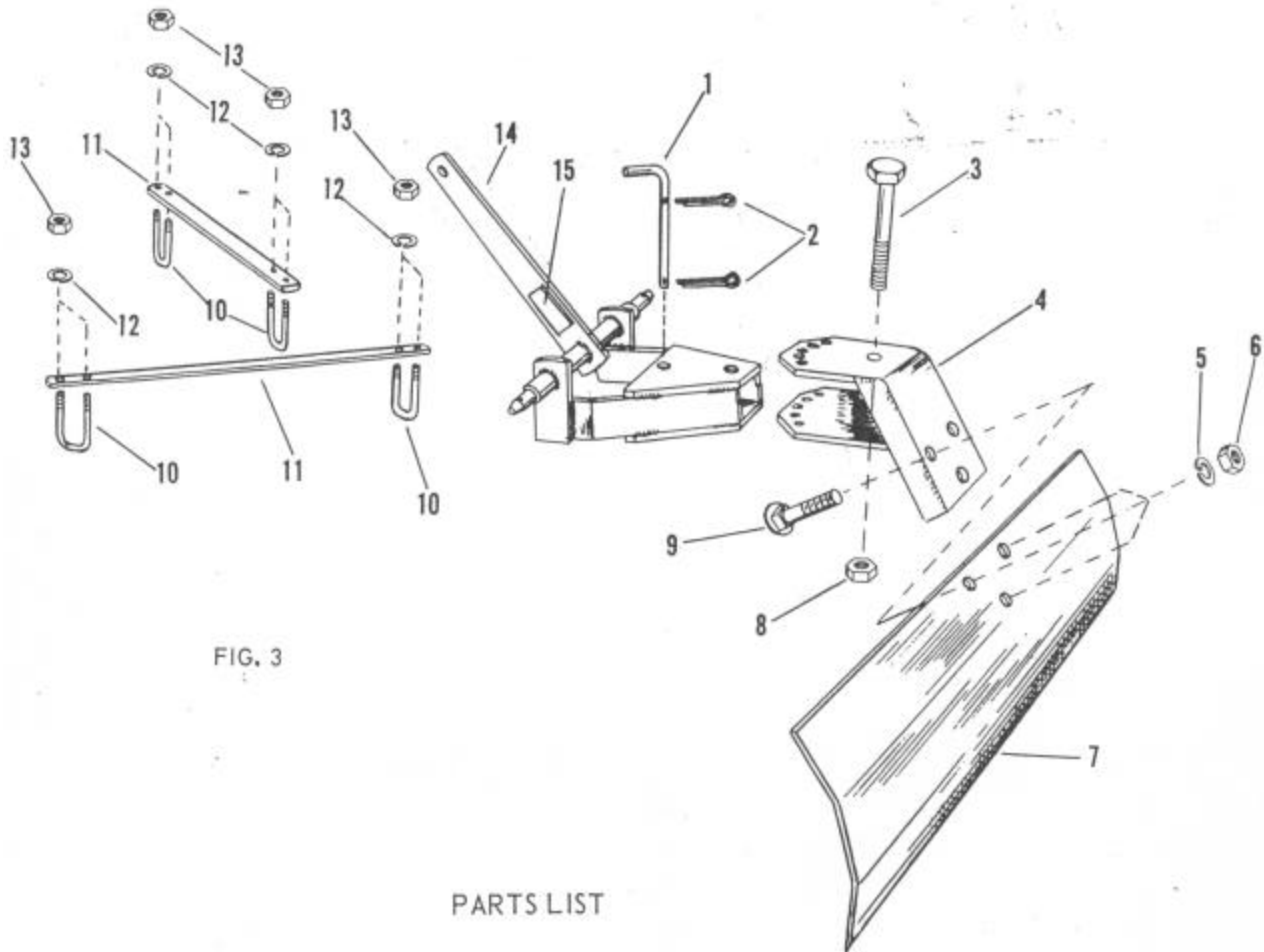
Oil quadrant upper and lower (B, Fig. 2), to aid in swiveling. During the operating season, check all bolts and nuts and keep them tight. When Grader Blade is not being used, the blade should be coated with grease or rust preventative. This Grader Blade's life expectancy is practically indefinite if handled properly and kept oiled and housed when not in use.

## SEARS GRADER BLADE – MODEL NUMBER 917.99150

WHEN ORDERING REPAIR PARTS, ALWAYS GIVE THE FOLLOWING INFORMATION AS SHOWN IN THIS LIST:

1. THE PART NUMBER.
2. THE PART NAME
3. THE MODEL NUMBER 917.99150
4. THE NAME OF ITEM – GRADER BLADE.

The Model Number will be found on a plate attached to the Hitch Bar of the Frame Weldment (Key No. 14.) Always mention the Model Number in all correspondence regarding the Grader Blade or when ordering repair parts. Do not use Key Numbers when ordering Repair Parts, always use Part Numbers.



KEY NO.	PART NO.	DESCRIPTION
1	5418H	Quadrant Pin
2	137185	*Cotter Pin 1/8 x 1
3	428714	*Bolt, Hex Finished 5/8-11 UNC x 4
4	606A330	Quadrant Plate Upper and Lower
5	120384	*Washer, Lock 1/2
6	219434	*Nut, Hex 1/2 - 13 UNC
7	5426H	Blade
8	5430H	Nut, Toplock

KEY NO.	PART NO.	DESCRIPTION
9	109749	*Bolt, Sq. Neck Carriage 1/2 - 13 UNC x 2 1/4
10	5417H	U - Bolt
11	5421H	Hitch Brace
12	120382	*Washer, Lock 3/8
13	219432	*Nut, Hex ASF 3/8-16 UNC
14	634A55	Frame Weldment
15	-----	Model Number Plate
---	7589H	Instruction and Parts Book

\*Standard Hardware Item – may be purchased locally